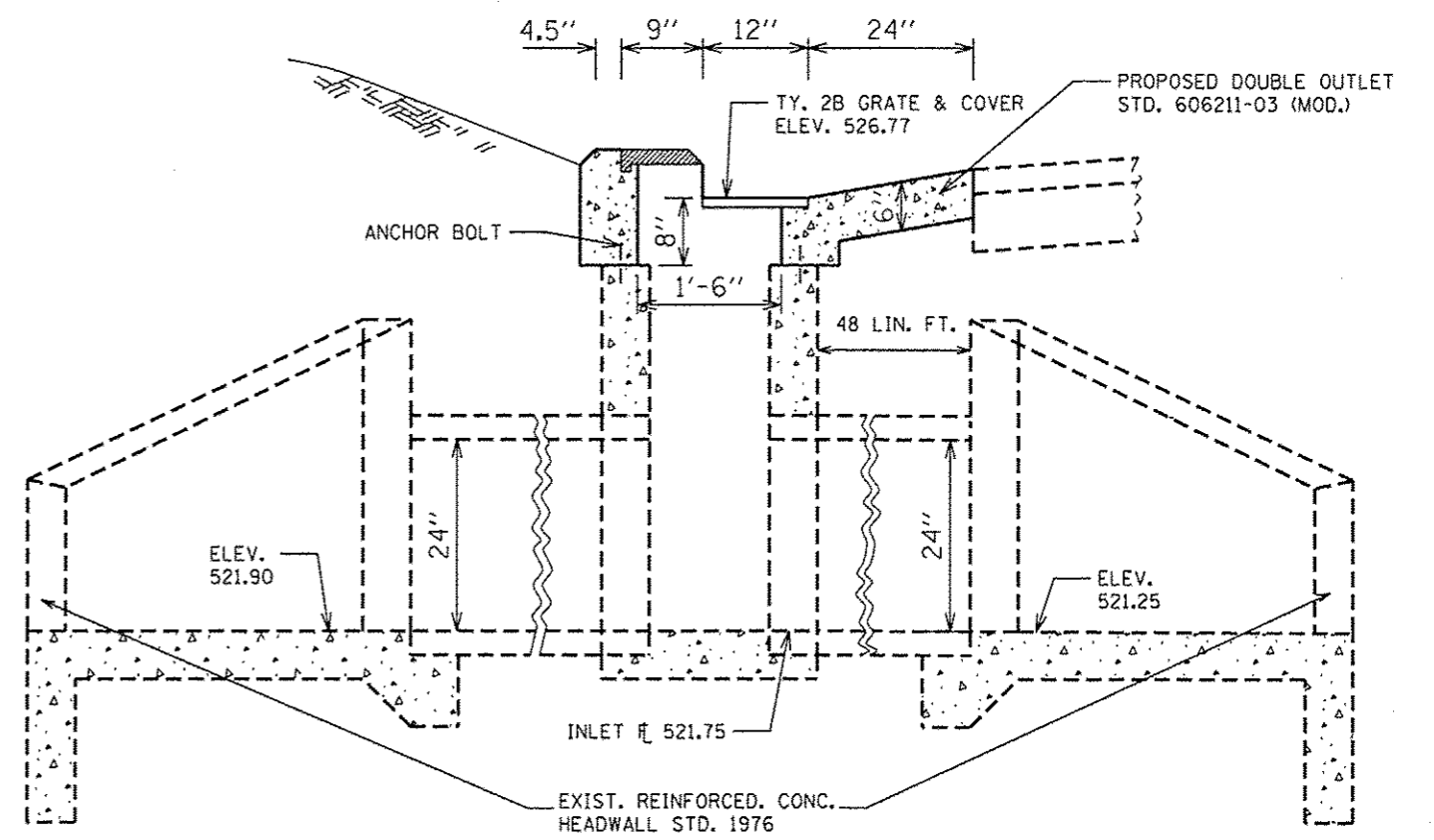
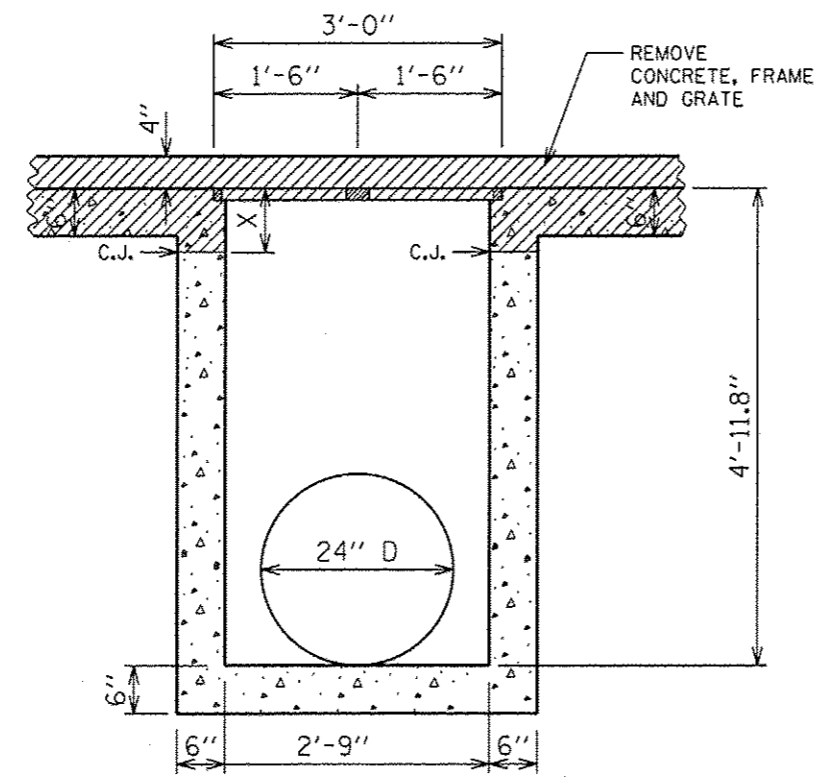


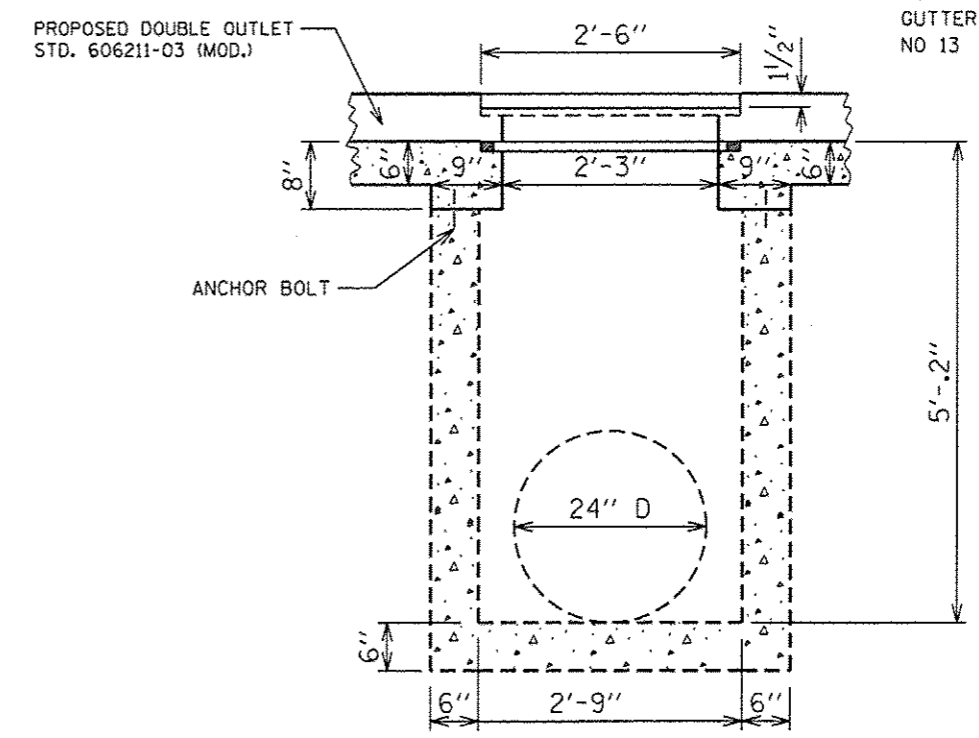
EXISTING SECTION THROUGH CENTERLINE



PROPOSED SECTION THROUGH CENTERLINE



EXISTING CROSS-SECTIONAL VIEW



PROPOSED CROSS-SECTIONAL VIEW

NOTES:
 CONSTRUCT DOUBLE OUTLET TYPE B GUTTER (SECTION C-C & D-D). SEE SHEET NO 13

NOTES:
 REMOVE EXISTING 26.5' OF TYPE B GUTTER. SEE PLAN VIEW ON SHEET NO. 12
 * ONLY DEPTH OF THE INLET WAS MODIFIED
 C.J. - CONSTRUCTION JOINT
 X - VARIES BY EACH LOCATION

FILE NAME *	USER NAME * shehdm	DESIGNED -	REVISED -	STATE OF ILLINOIS DEPARTMENT OF TRANSPORTATION	DRAINAGE STRUCTURE DETAILS STA. 957 + 62 (LT.)				F.A.P. RTE.	SECTION	COUNTY	TOTAL SHEETS	SHEET NO.
of\work\p\p\dos\shehdm\d2316114\06xxxx\shh\ssht.dgn		DRAWN - DMS	REVISED -		510	(1201T	HANCOCK	28	23				
Default	PLOT SCALE * 48.0000' / 1"	CHECKED -	REVISED -		SCALE: SHEET 12 OF 17 SHEETS STA. TO STA.				CONTRACT NO. 72F73				
	PLOT DATE * Nov-20-2012 10:03:54AM	DATE -	REVISED -		ILLINOIS FED. AID PROJECT								