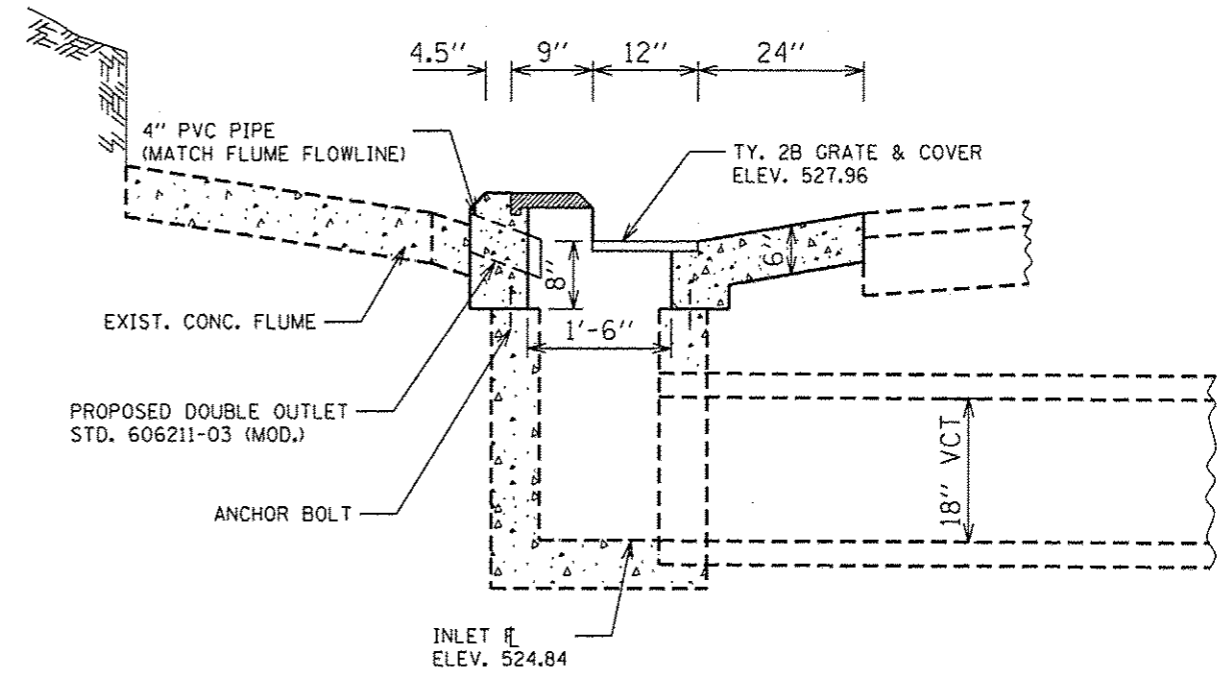
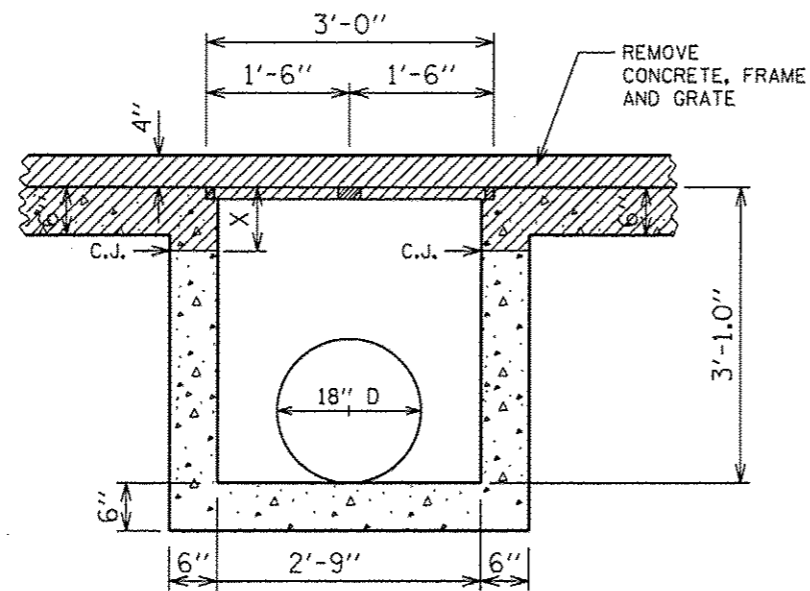


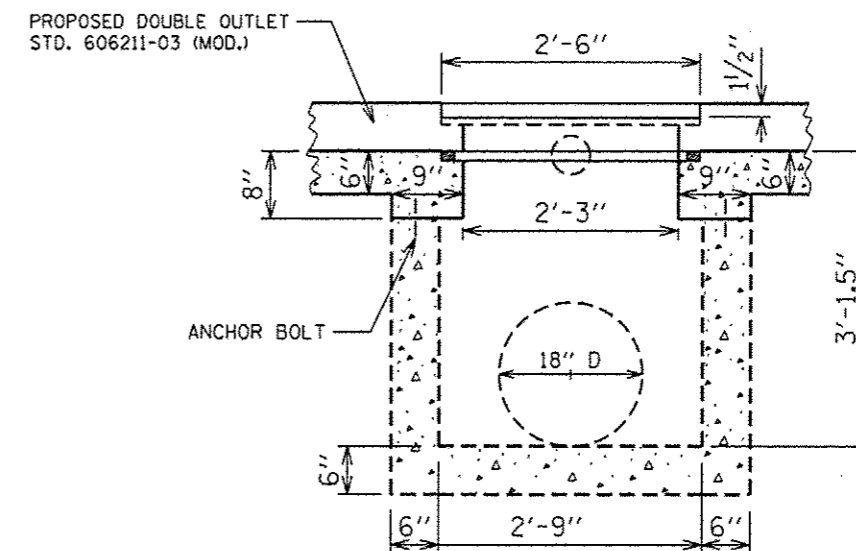
EXISTING SECTION THROUGH CENTERLINE



PROPOSED SECTION THROUGH CENTERLINE



EXISTING CROSS-SECTIONAL VIEW



PROPOSED CROSS-SECTIONAL VIEW

NOTES:

CONSTRUCT DOUBLE OUTLET TYPE B GUTTER (SECTION C-C & D-D). SEE SHEET NO. 13

NOTES:

REMOVE EXISTING 26.5' OF TYPE B GUTTER. SEE PLAN VIEW ON SHEET NO. 12

* ONLY DEPTH OF THE INLET WAS MODIFIED

C.J. - CONSTRUCTION JOINT

X - VARIES BY EACH LOCATION

FILE NAME *	USER NAME * shahdm	DESIGNED -	REVISED -	STATE OF ILLINOIS DEPARTMENT OF TRANSPORTATION	DRAINAGE STRUCTURE DETAILS				F.A.P. RTE.	SECTION	COUNTY	TOTAL SHEETS	SHEET NO.
cr\pwork\pwork\shahdm\0316114\06xxxx	shahdm	DRAWN - DMS	REVISED -		STA. 1046 + 30 (LT.)				510	(120)T	HANCOCK	28	27
Default	Default	CHECKED -	REVISED -		SCALE: _____	SHEET 16	OF 17 SHEETS	STA. _____	TO STA. _____	CONTRACT NO. 72F73			
		DATE -	REVISED -		ILLINOIS FED. AID PROJECT								