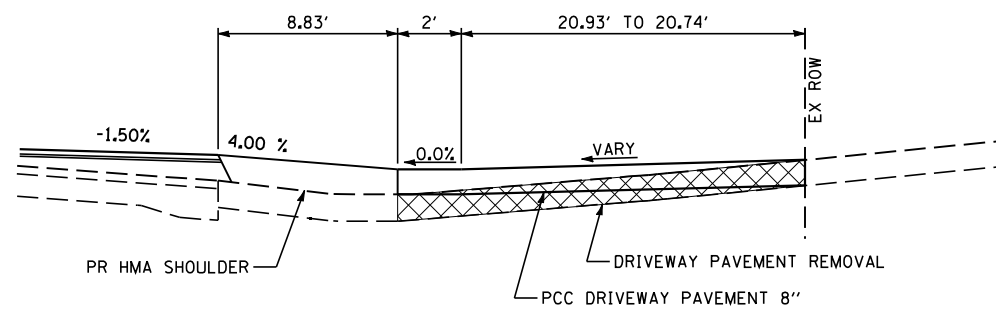


PORTIONS OF PCC DRIVEWAY PAVEMENT 8\" LESS THAN 1 FOOT WIDE SHALL BE CONSTRUCTED MONOLITHIC WITH THE PROPOSE COMBINATION CONCRETE CURB AND GUTTER TY B-6.18



SECTION A-A