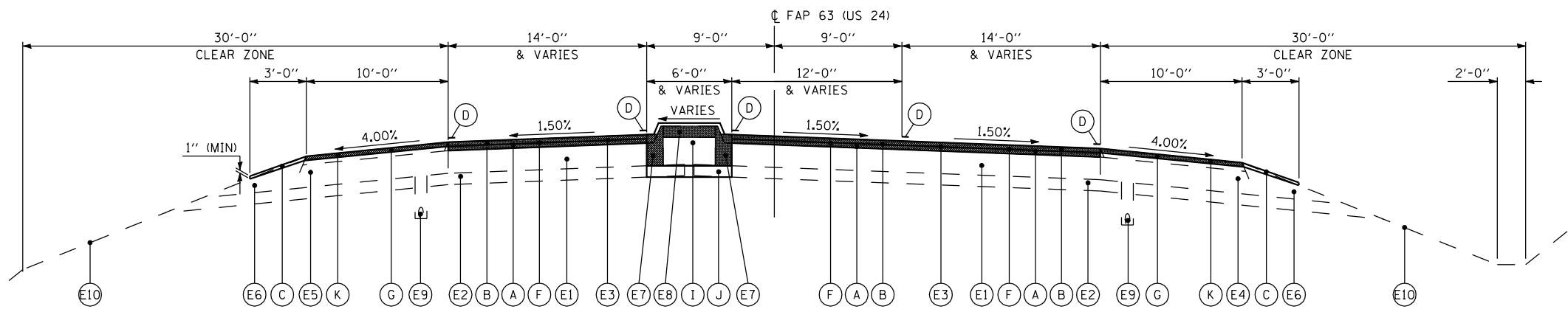


**EXISTING LEGEND**

- (E1) EXISTING PCC PAVEMENT 9"
- (E2) EXISTING STABILIZED SUB-BASE, 4"
- (E3) EXISTING HOT-MIX ASPHALT SURFACING, 4"±
- (E4) EXISTING ASPHALT AGGREGATE MIXTURE SHOULDERS, 8"
- (E5) EXISTING HOT-MIX ASPHALT SHOULDERS, 8"
- (E6) EXISTING AGGREGATE SHOULDERS
- (E7) EXISTING CONCRETE CURB & GUTTER, TYPE M-2.06 / M-6.06
- (E8) EXISTING CONCRETE MEDIAN SURFACE, 4"
- (E9) EXISTING PIPE UNDERDRAINS, 4"
- (E10) EXISTING GROUND
- EXISTING ITEM TO BE REMOVED

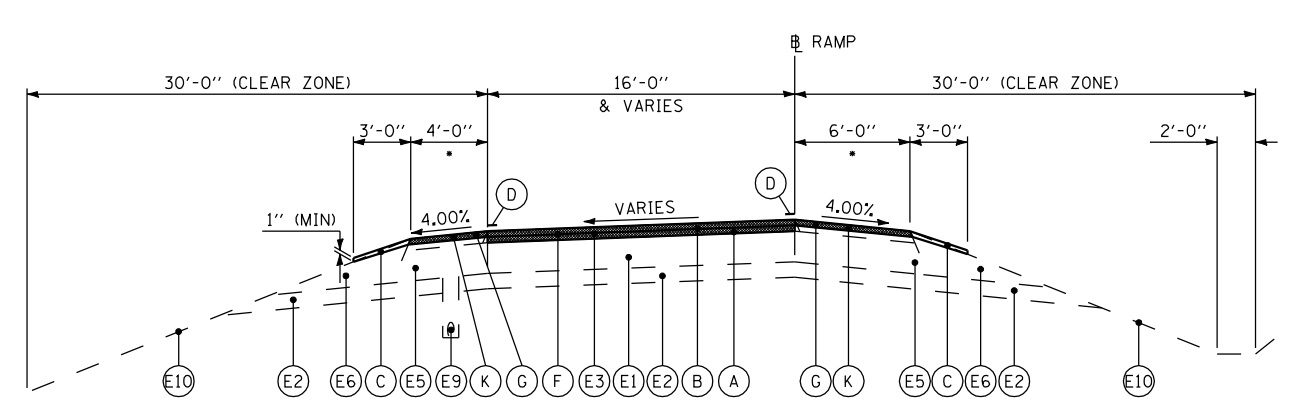
**PROPOSED LEGEND**

- (A) PR HMA BINDER COURSE, 2 1/4"
- (B) PR HMA SURFACE COURSE, 1 1/2"
- (C) PR AGGREGATE WEDGE SHOULDERS, TYPE B, VARIABLE DEPTH
- (D) PR PAVEMENT MARKING (SEE PLAN SHEETS FOR SIZES & TYPES)
- (F) PR HMA SURFACE REMOVAL, 4" (TO EXISTING BARE PCC PAVT)
- (G) PR HMA SURFACE REMOVAL, 1 3/4" (TO TOP OF PROPOSED BINDER COURSE)
- (H) PR COMBINATION CONCRETE CURB & GUTTER, TYPE M-4.06 (SEE PLAN SHEETS FOR LOCATIONS)
- (I) PR CONCRETE MEDIAN / CONCRETE MEDIAN SURFACE (SEE PLAN SHEETS FOR LOCATIONS)
- (J) PR SUB-BASE GRANULAR MATERIAL, TYPE B (VARIABLE DEPTH)
- (K) PR HMA SHOULDERS, 1 1/2"
- (L) PR PCC BASE COURSE, 13"



**TYPICAL FAP 63 (US 24) SECTION**

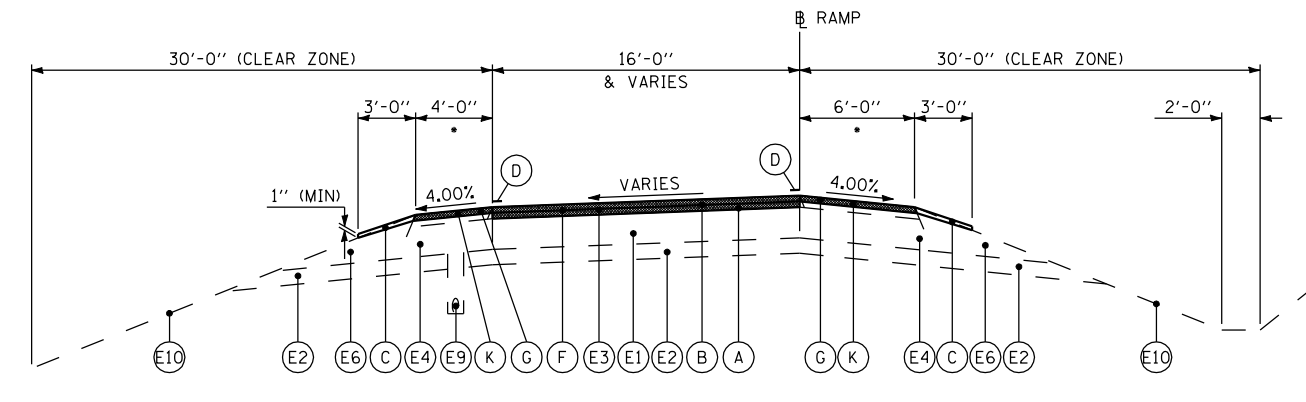
STA 2166+04.81 TO STA 2168+16.92  
 STA 2175+21.08 TO STA 2177+34.82



**TYPICAL RAMP SECTION**

STA 19+61.12 TO STA 20+51.29 (RAMP A)  
 STA 0+23.80 TO STA 1+16.69 (RAMP D)

NOTES:  
 • AND VARIES - SEE PLAN SHEETS



**TYPICAL RAMP SECTION**

STA 0+23.09 TO STA 1+79.31 (RAMP B)  
 STA 22+12.58 TO STA 23+41.24 (RAMP C)

NOTES:  
 • AND VARIES - SEE PLAN SHEETS

FILE NAME =	USER NAME = ebb	DESIGNED -	REVISED -
qa:\08files\080224\wo 2 - us 24 over frazier creek - roadway plans\us 24 & i-172\code		DRAWN	REVISED -
		CHECKED -	REVISED -
		DATE -	REVISED -

**STATE OF ILLINOIS  
 DEPARTMENT OF TRANSPORTATION**

<b>TYPICAL SECTIONS</b>			
SCALE: none	SHEET NO. 2 OF 2 SHEETS	STA.	TO STA.

F.A.P. RTE.	SECTION	COUNTY	TOTAL SHEETS	SHEET NO.
63	(I)RS-6	ADAMS	24	14
CONTRACT NO. 72F76				
FED. ROAD DIST. NO. 6 ILLINOIS FED. AID PROJECT				