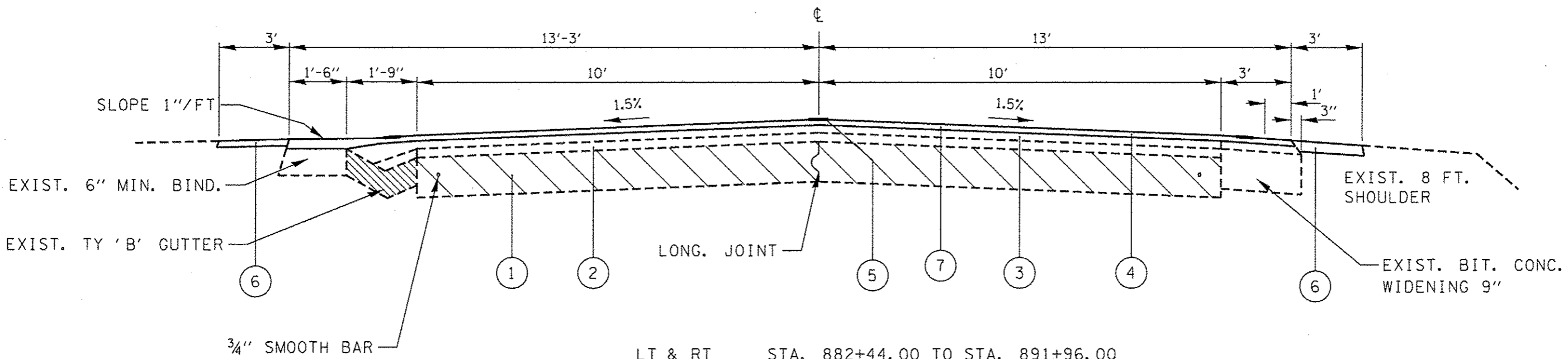


|         |                                    |
|---------|------------------------------------|
| LT & RT | STA. 875+00.00 TO STA. 882+43.00   |
| LT & RT | STA. 891+96.00 TO STA. 901+12.00   |
| LT & RT | STA. 924+50.00 TO STA. 936+97.00   |
| RT      | STA. 936+97.00 TO STA. 937+54.00   |
| LT      | STA. 936+97.00 TO STA. 945+00.00 * |



|         |                                  |
|---------|----------------------------------|
| LT & RT | STA. 882+44.00 TO STA. 891+96.00 |
| RT      | STA. 937+54.00 TO STA. 945+50.00 |

**LEGEND**

- ① EXIST. PAVEMENT
- ② EXIST. BITUMINOUS OVERLAY
- ③ EXIST. 1 3/4" BIT. CONC. BIND. CSE.
- ④ EXIST. 1 1/4" BIT. CONC. SURF. CSE. CL I
- ⑤ PROP. PAVT. MARKING, 5"
- ⑥ PROP. AGG. SHOULDERS.
- ⑦ 1 1/2" PAVT. REMOVAL/REPLACEMENT