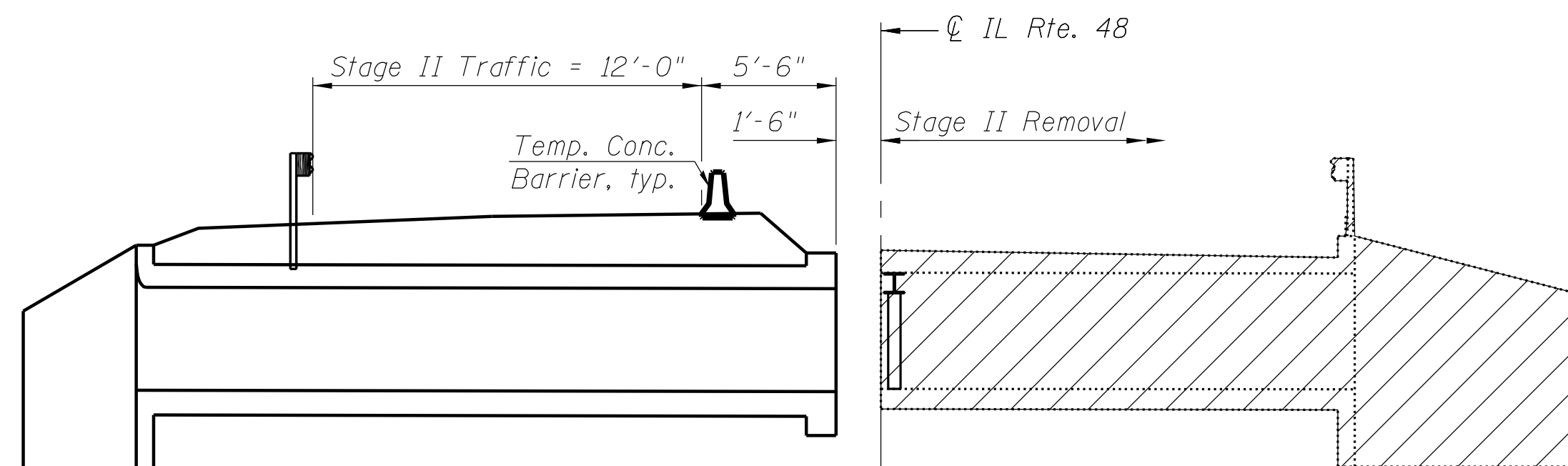
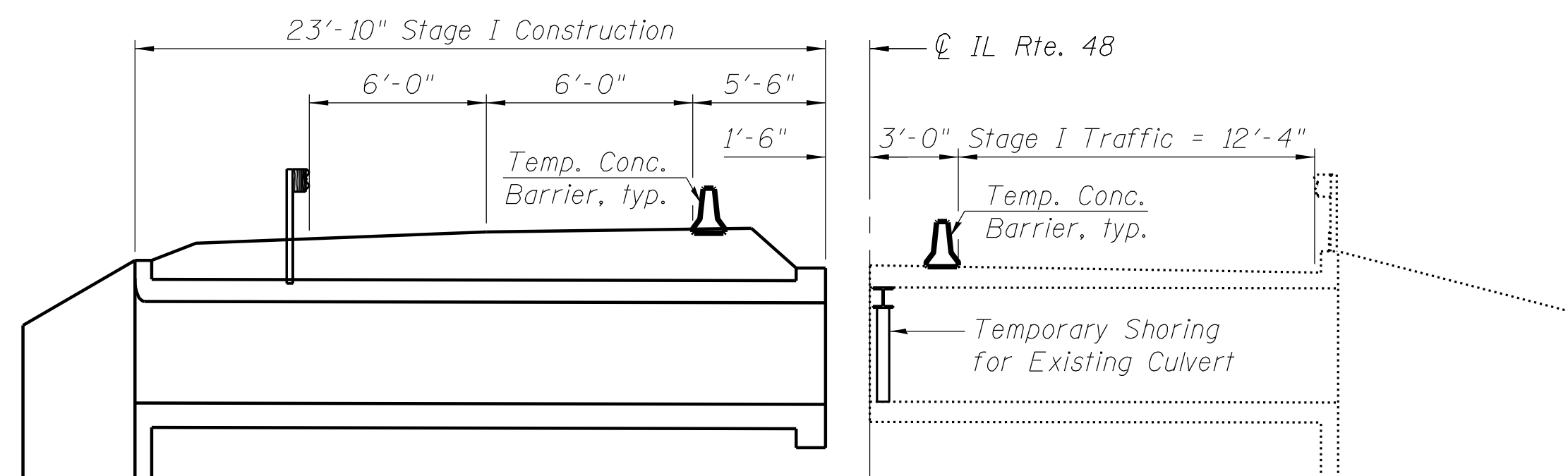


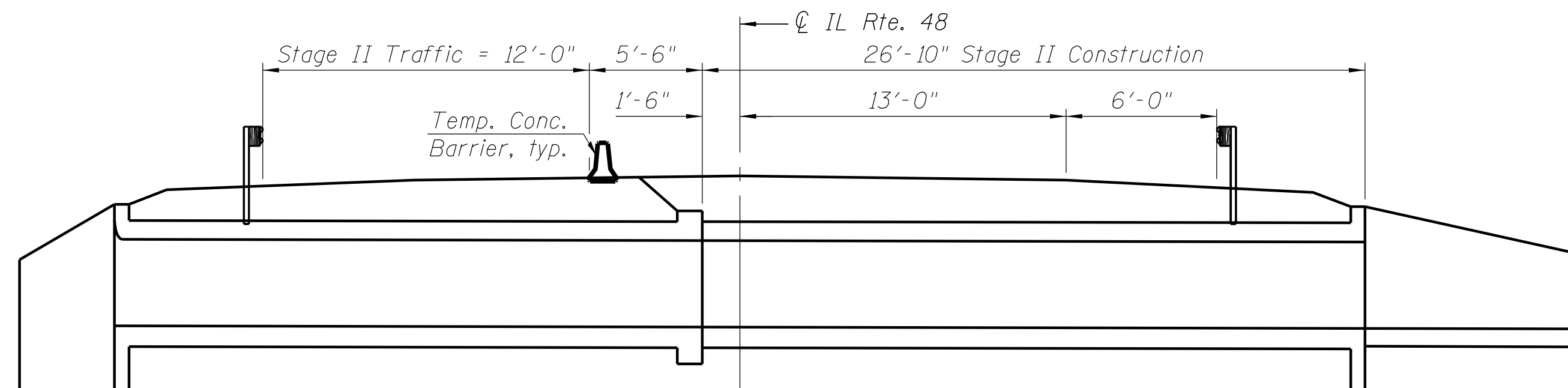
STAGE I REMOVAL



STAGE II REMOVAL

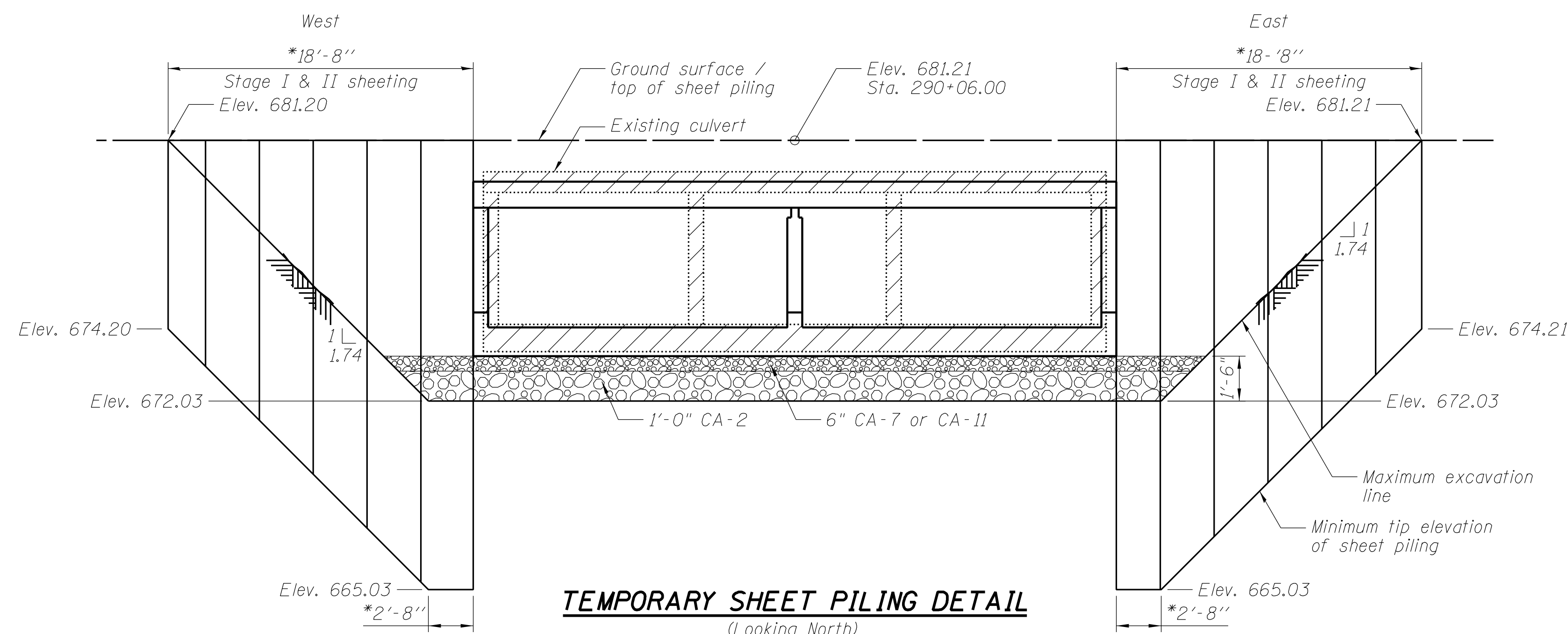


STAGE I CONSTRUCTION



STAGE II CONSTRUCTION

For details to Temporary Concrete Barrier, see Sheet 3 of 8
 For Temporary Concrete Barrier quantity, see roadway plans
 All staging sections are looking East



TEMPORARY SHEET PILING DETAIL
 (Looking North)

Minimum Section Modulus = 9.0 in³/ft
 If the Contractor chooses to alter the temporary cantilevered sheet piling design requirements shown on the plans, a design submittal including plan details and calculations will be required for review and acceptance by the Engineer.
 See Sheet 4 of 8 for Temporary Shoring Details.

*Dimensions parallel to CL IL Route 48

PRINTED DATE: 10/30/2012
 FILE NAME: N:\PROJECTS\1001\PTB 148\Item 25 - 07 Various Design\Work Order 09\CADD\Drawings\Sheets\236.03_02_StageCon.dgn



USER NAME = \$USER\$
 PLOT SCALE = 0:1.0000 '1' / 1".
 PLOT DATE = 10/30/2012

DESIGNED - DF
 CHECKED - JA
 DRAWN - ADG
 CHECKED - JA

REVISED -
 REVISED -
 REVISED -
 REVISED -

**STATE OF ILLINOIS
 DEPARTMENT OF TRANSPORTATION**

**STAGE CONSTRUCTION DETAILS
 STRUCTURE NO. 058-2012**

SHEET NO. 2 OF 8 SHEETS

F.A.U. RTE.	SECTION	COUNTY	TOTAL SHEETS	SHEET NO.
7464	(126BR)B	MACON	44	31
CONTRACT NO. 74156				

ILLINOIS FED. AID PROJECT