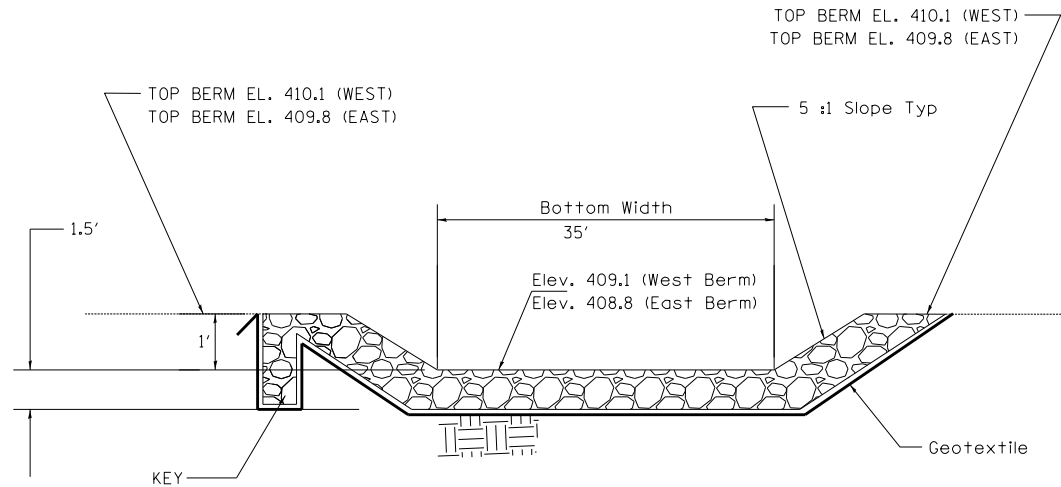


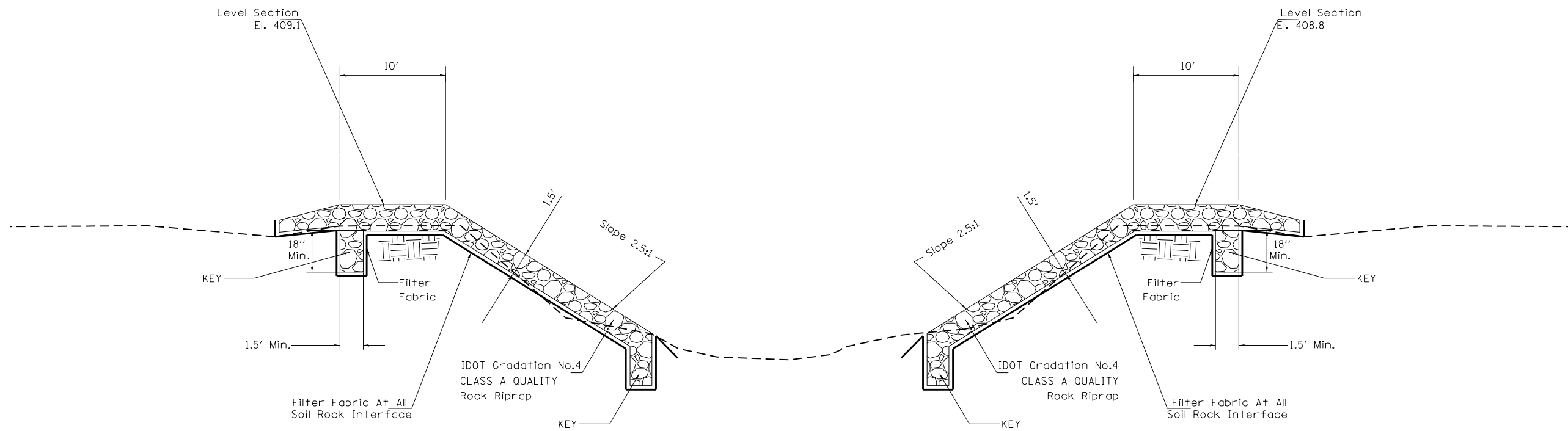
PLAN VIEW



SECTION B-B

CONSTRUCTION NOTES:

1. Riprap size shall be IDOT Quality Designation A Gradation No. 4
2. Filter fabric shall extend around the upstream and downstream cutoff trenches, shall be keyed into upstream of the upper cutoff trench. Any splices shall overlap a minimum 24 inches, with upstream upslope geotextile overlapping the abutting down slope geotextile.



SECTION A-A PROFILE CENTERLINE

FILE NAME =	USER NAME = teasleyck	DESIGNED -	REVISED -
c:\pwork\pwork\pwork\teasleyck\d0285341\074557-shd-details.dgn		DRAWN -	REVISED -
Default	PLOT SCALE = 100.0000' / 1in.	CHECKED -	REVISED -
	PLOT DATE = 2/1/2013	DATE -	REVISED -

**STATE OF ILLINOIS
DEPARTMENT OF TRANSPORTATION**

SPILLWAY DETAIL	
SCALE:	SHEET OF SHEETS STA. TO STA.

F.A. RTE.	SECTION	COUNTY	TOTAL SHEETS	SHEET NO.
			25	6
D-7 WETLAND MITIGATION 2013			CONTRACT NO. 74557	
ILLINOIS FED. AID PROJECT				