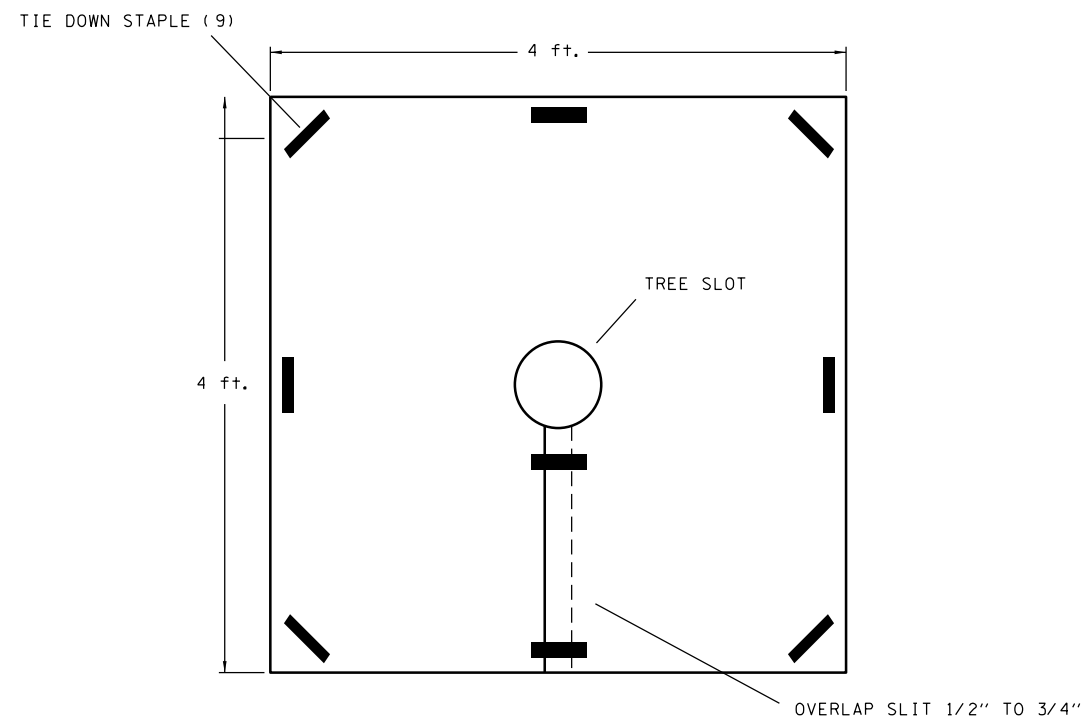
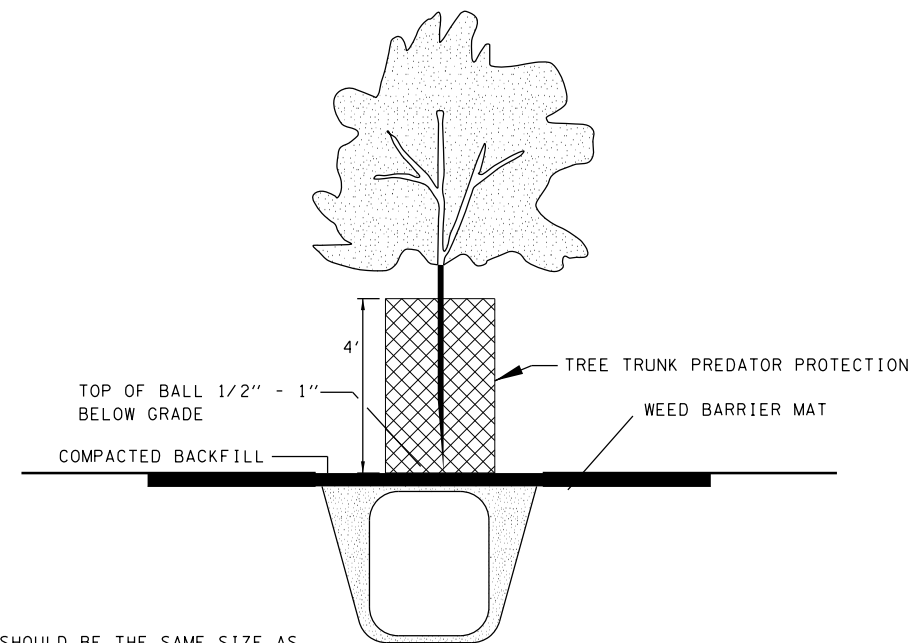


TYPICAL WEED BARRIER MAT PLAN



TYPICAL CONTAINER TREE PLANTING PLAN



NOTE:

PIT SIZE SHOULD BE THE SAME SIZE AS THE ROOT BALL OR SLIGHTLY LARGER: THIS WILL REDUCE TIPOVER DURING FLOODING.

FILE NAME =	USER NAME = teasleyck	DESIGNED -	REVISED -
ci:\pw\work\p\idot\teasleyck\d0285341\07	4557-shit-details.dgn	DRAWN -	REVISED -
Default	PLOT SCALE = 100.0000' / in.	CHECKED -	REVISED -
	PLOT DATE = 2/1/2013	DATE -	REVISED -

STATE OF ILLINOIS
DEPARTMENT OF TRANSPORTATION

TREE PLANTING DETAIL

SCALE: SHEET OF SHEETS STA. TO STA.

F.A. RTE.	SECTION	COUNTY	TOTAL SHEETS	SHEET NO.
		LAWRENCE	25	7
D-7 WETLAND MITIGATION 2013			CONTRACT NO. 74557	
ILLINOIS FED. AID PROJECT				