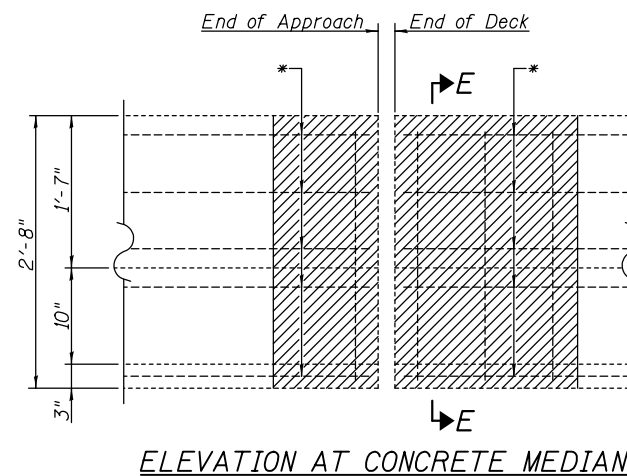
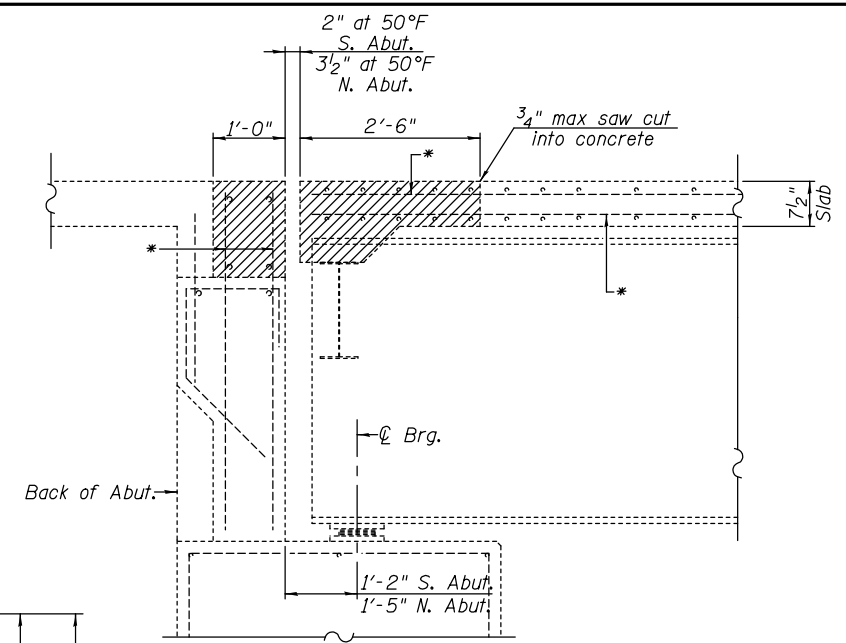


**ELEVATION AT PARAPET & WINGWALL**  
(Showing Inside Face)

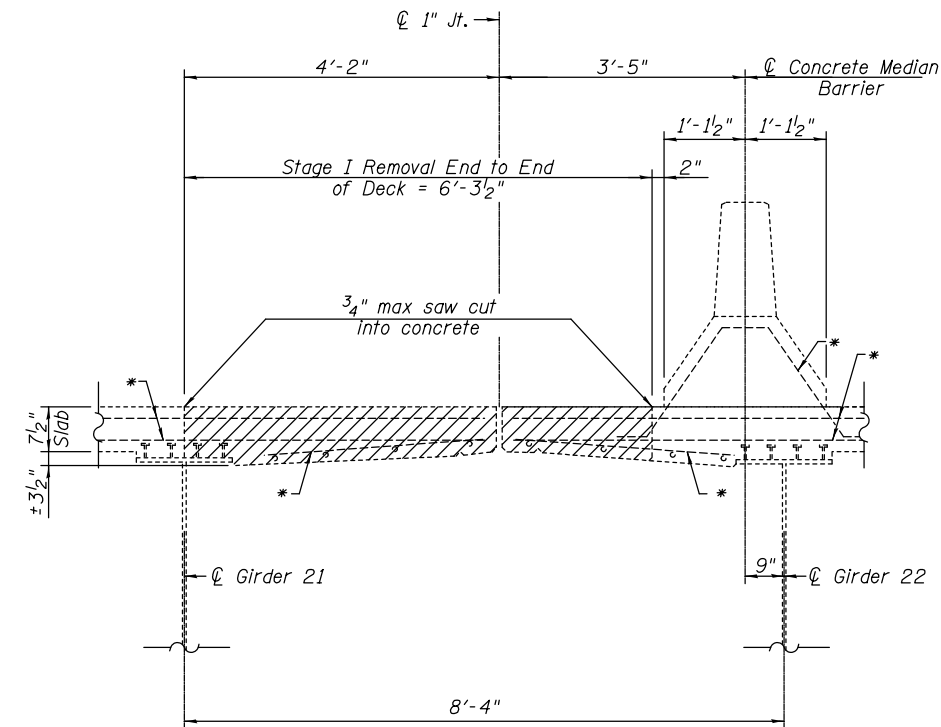


**ELEVATION AT CONCRETE MEDIAN**

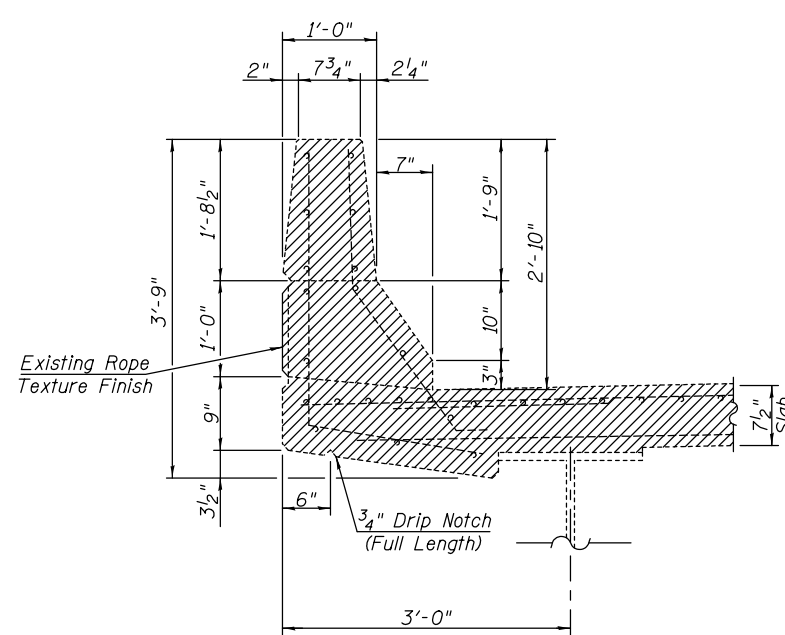
- Concrete Removal



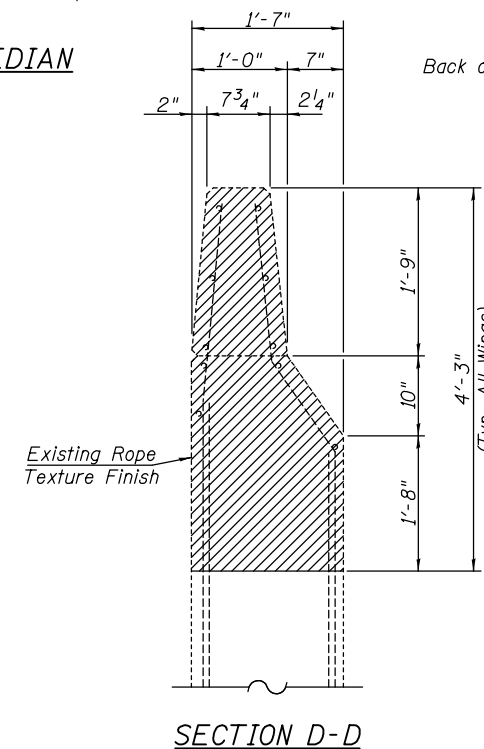
**SECTION A-A**  
(Horiz. dim. at Rt. L's)



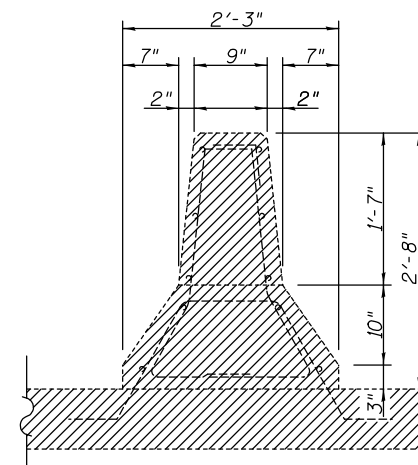
**SECTION B-B**



**SECTION C-C**



**SECTION D-D**



**SECTION E-E**

**NOTES**  
 Removal of existing expansion joint and associated material shall not be paid for separately but shall be included in the cost of Concrete Removal.  
 Trim existing reinforcement to accommodate proposed expansion joint.  
 Stud Shear Connectors damaged during concrete removal operations shall be removed and replaced per Section 505 of the Standard Specifications. Cost included with Concrete Removal.

\* Existing reinforcement to remain.

**NORTH BOUND LANES -  
 SUPERSTRUCTURE CONCRETE REMOVAL DETAILS  
 S.N. 082-0241 (NB) & S.N. 082-0242 (SB)**

|             |             |            |          |  |   |  |                           |            |           |              |           |
|-------------|-------------|------------|----------|--|---|--|---------------------------|------------|-----------|--------------|-----------|
| FILE NAME = | USER NAME = | DESIGNED - | REVISD - | <b>Allen Henderson &amp; Associates, Inc.</b><br>Civil and Structural Engineers Springfield, IL<br>62703 Phone: (217)544-8033 IL Design Firm<br>No. 184-001907 | <b>NORTH BOUND LANES -<br/>       SUPERSTRUCTURE CONCRETE REMOVAL DETAILS</b> |  | F.A.I. RTE.               | SECTION    | COUNTY    | TOTAL SHEETS | SHEET NO. |
|             |             | CHECKED -  | REVISD - |  |   |  | 255                       | 82-2HB-2-1 | ST. CLAIR | 54           | 45        |
|             |             | DRAWN -    | REVISD - |  |   |  | CONTRACT NO. 76B21        |            |           |              |           |
|             |             | CHECKED -  | REVISD - |  |   |  | ILLINOIS FED. AID PROJECT |            |           |              |           |
|             |             |            |          |  | SHEET NO. 13 OF 22 SHEETS   |  |                           |            |           |              |           |