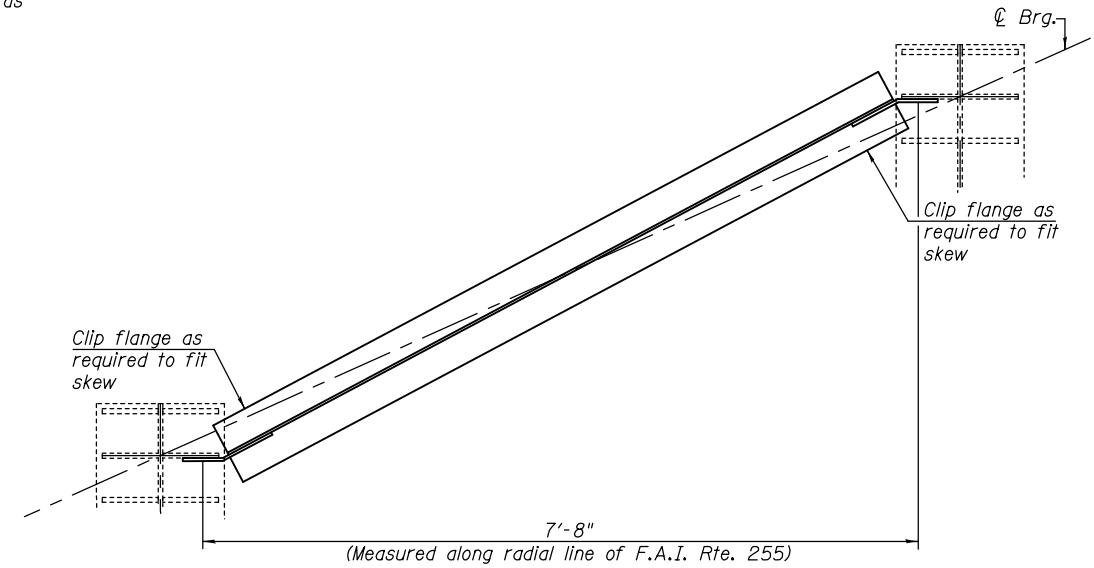
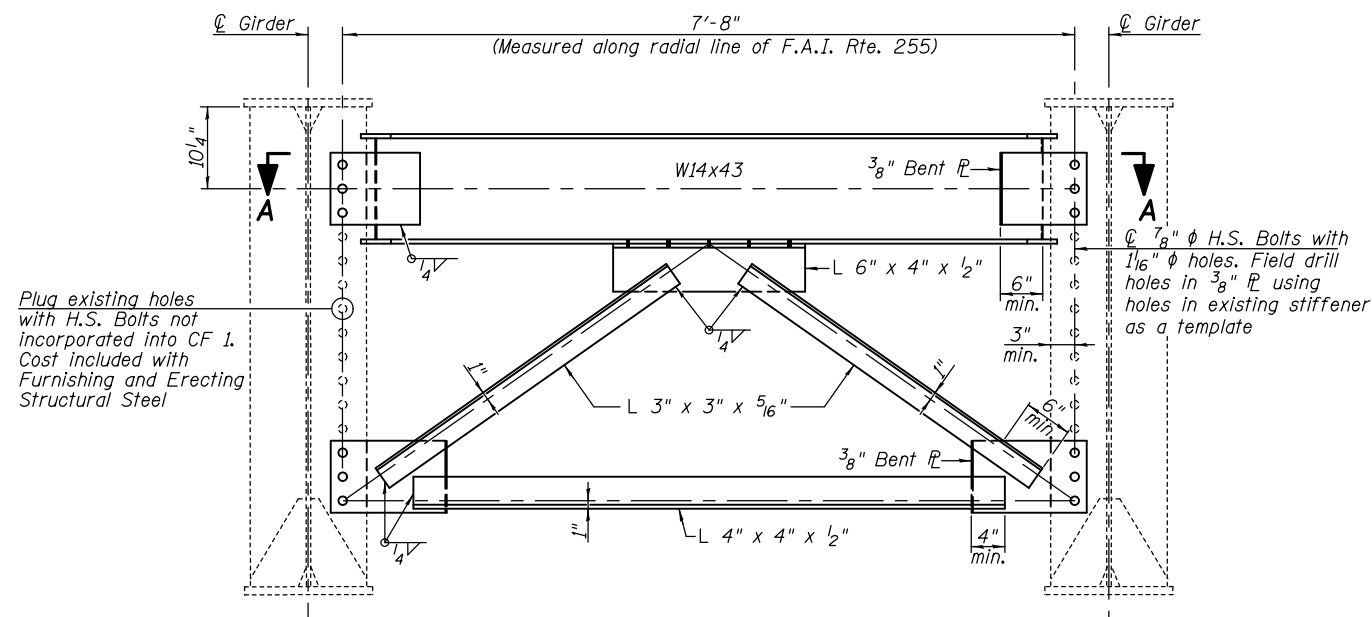


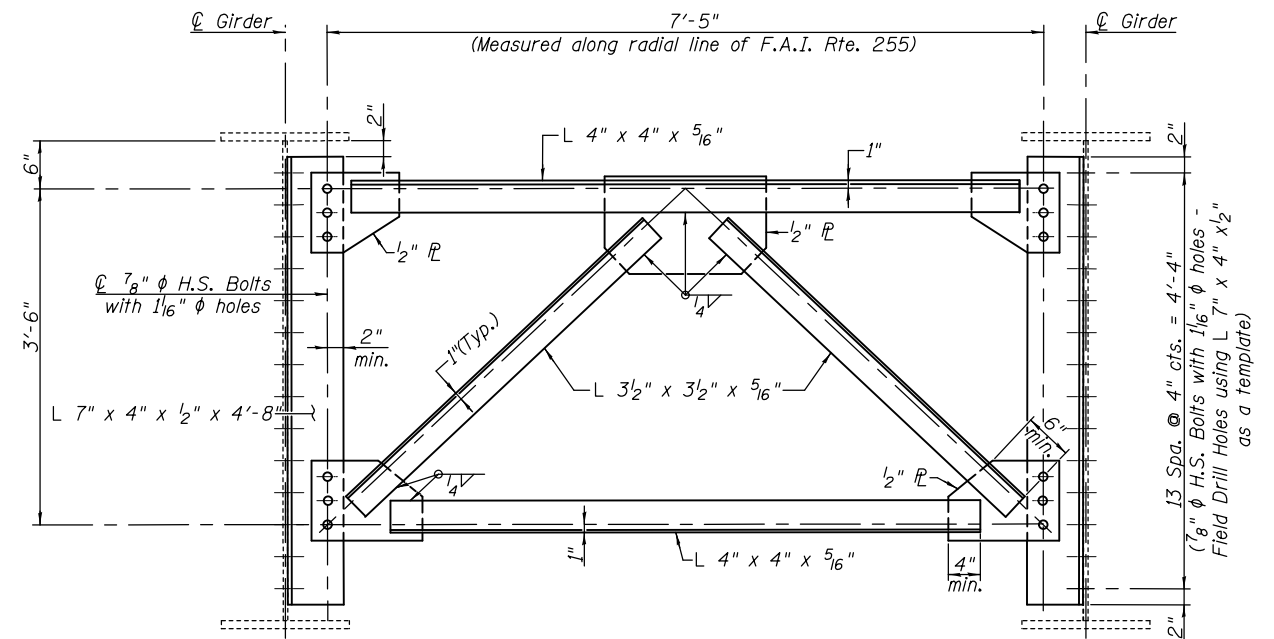
**EXISTING CROSS FRAME CF6 REMOVAL DETAIL**  
(4 Locations)



**SECTION A-A**



**END CROSS FRAME CF1**  
(4 Required)



**CROSS FRAME CF**  
(38 Required)

Notes: Field verify all dimensions prior to ordering steel.  
Cost of field drilling included with Furnishing and Erecting Structural Steel.  
Two hardened washers required for each set of oversized holes.

**BILL OF MATERIAL**

Item	Unit	Total
Structural Steel Removal	Pound	2980
Furnishing and Erecting Structural Steel	Pound	20810

**STRUCTURAL STEEL DETAILS**  
S.N. 082-0241 (NB) & S.N. 082-0242 (SB)