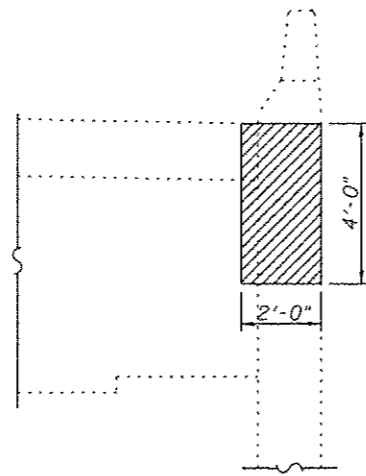
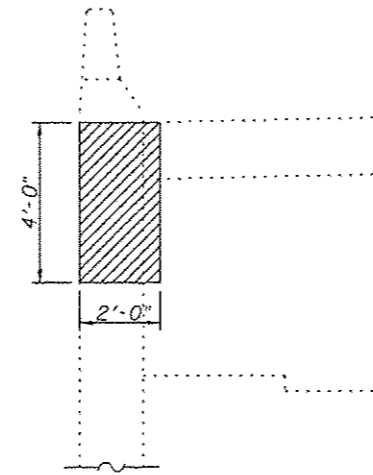


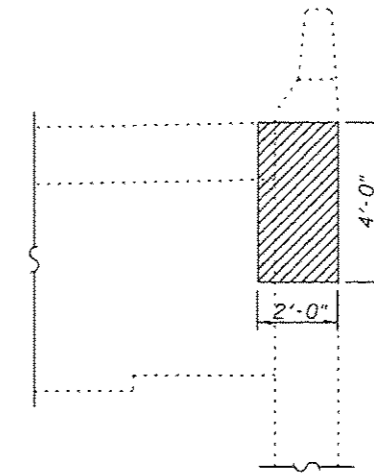
SOUTH BOUND LANES
SOUTH ABUTMENT
EAST CORNER
(Looking South)



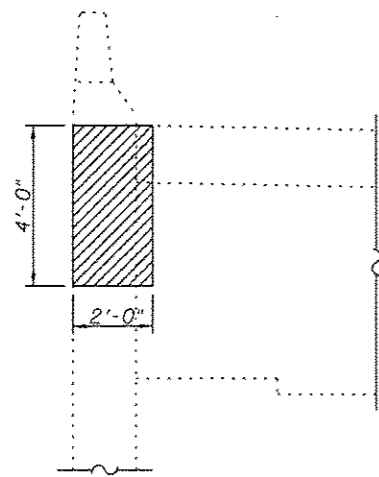
SOUTH BOUND LANES
SOUTH ABUTMENT
WEST CORNER
(Looking South)



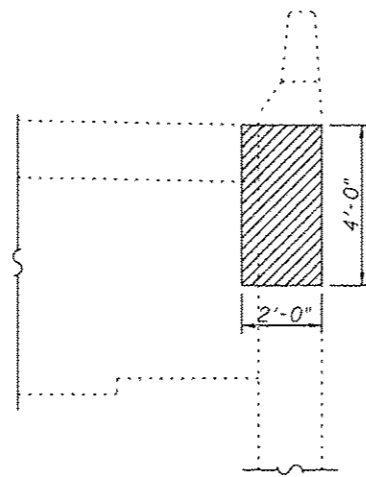
SOUTH BOUND LANES
NORTH ABUTMENT
WEST CORNER
(Looking North)



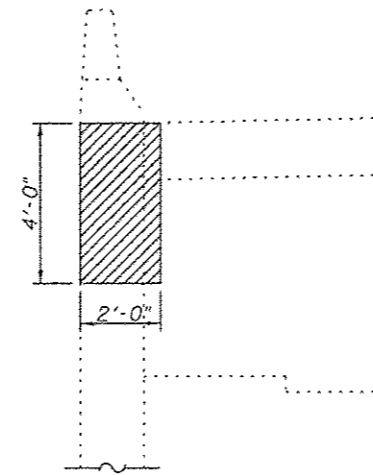
SOUTH BOUND LANES
NORTH ABUTMENT
EAST CORNER
(Looking North)



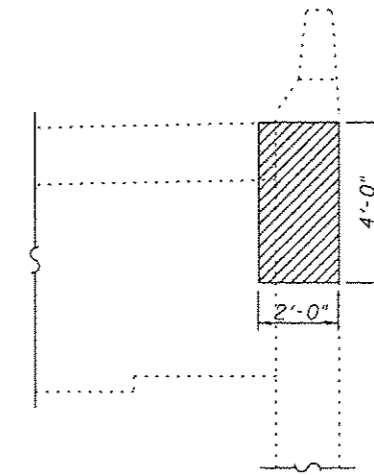
NORTH BOUND LANES
SOUTH ABUTMENT
EAST CORNER
(Looking South)



NORTH BOUND LANES
SOUTH ABUTMENT
WEST CORNER
(Looking South)



NORTH BOUND LANES
NORTH ABUTMENT
WEST CORNER
(Looking North)



NORTH BOUND LANES
NORTH ABUTMENT
EAST CORNER
(Looking North)


NOTES

Hatched area indicates area of Structural Repair of Concrete.
Exact repairs are to be determined by the Engineer.

BILL OF MATERIAL

Item	Unit	Total
Structural Repair of Concrete (Depth equal to or less than 5")	Sq. Ft.	64

ABUTMENT REPAIR DETAILS
S.N. 082-0241 (NB) & 082-0242 (SB)

FILE NAME :	USER NAME :	DESIGNED :	REVISED :	 Allen Henderson & Associates, Inc. Civil and Structural Engineers Springfield, IL. 62703 Phone: (217)544-8033 IL Design Firm No. 184-001907	ABUTMENT REPAIR DETAILS SHEET NO. 21 OF 22 SHEETS	P.A.I. RTE.:	SECTION:	COUNTY:	TOTAL SHEETS:	SHEET NO.:
PLOT SCALE :	CHECKED :	REVISED :	255			82-2HB-2-1	ST. CLAIR	54	53	
PLOT DATE :	DRAWN :	REVISED :	CONTRACT NO. 76B21							
	CHECKED :	REVISED :	ILLINOIS FED. AID PROJECT							