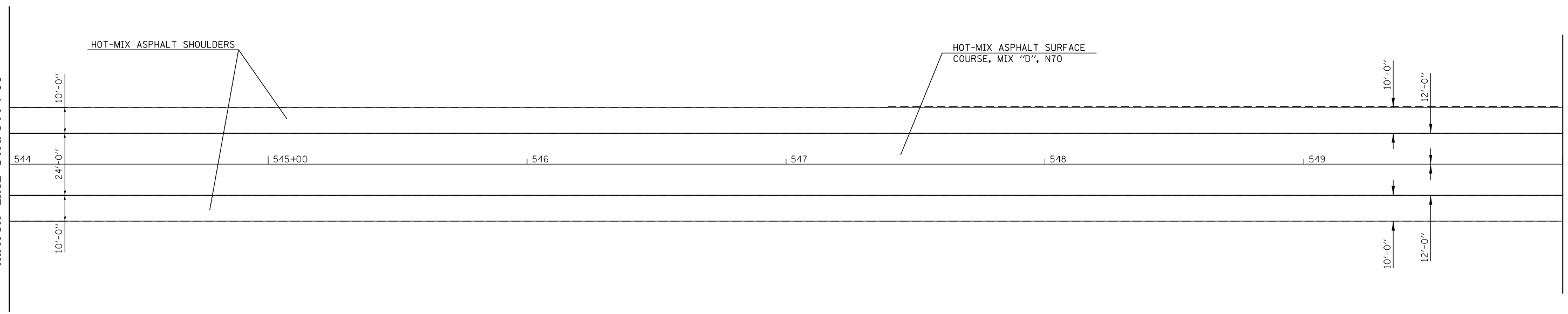
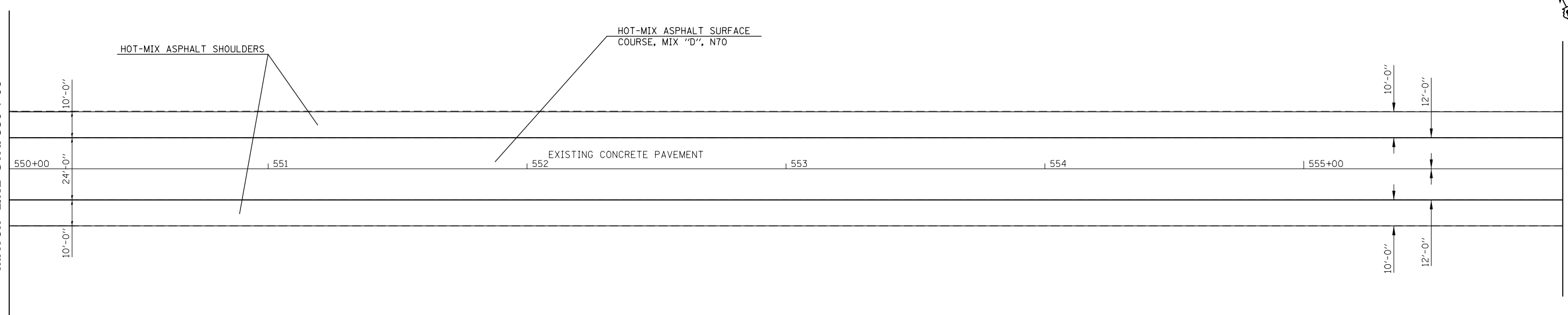


MATCH LINE STA. 544 + 00

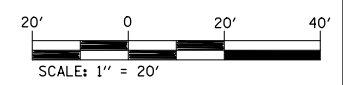


MATCH LINE STA. 550 + 00

MATCH LINE STA. 550 + 00



MATCH LINE STA. 556 + 00



FILE NAME =	USER NAME = owenbj	DESIGNED -	REVISED -
ct:\pw\work\p\dot\owenbj\d8254768\cover	sheet.dgn	DRAWN -	REVISED -
	PLOT SCALE = 40.0000' / in.	CHECKED -	REVISED -
	PLOT DATE = 12/14/2012	DATE -	REVISED -

**STATE OF ILLINOIS  
DEPARTMENT OF TRANSPORTATION**

**PLAN VIEW**

SCALE: 1" = 20'    SHEET NO. 17 OF 19 SHEETS    STA. 544+00    TO STA. 556+00

F.A.P. RTE.	SECTION	COUNTY	TOTAL SHEETS	SHEET NO.
103	(23,24)RS-3	ST. CLAIR	38	29
CONTRACT NO. 76E89			ILLINOIS FED. AID PROJECT	