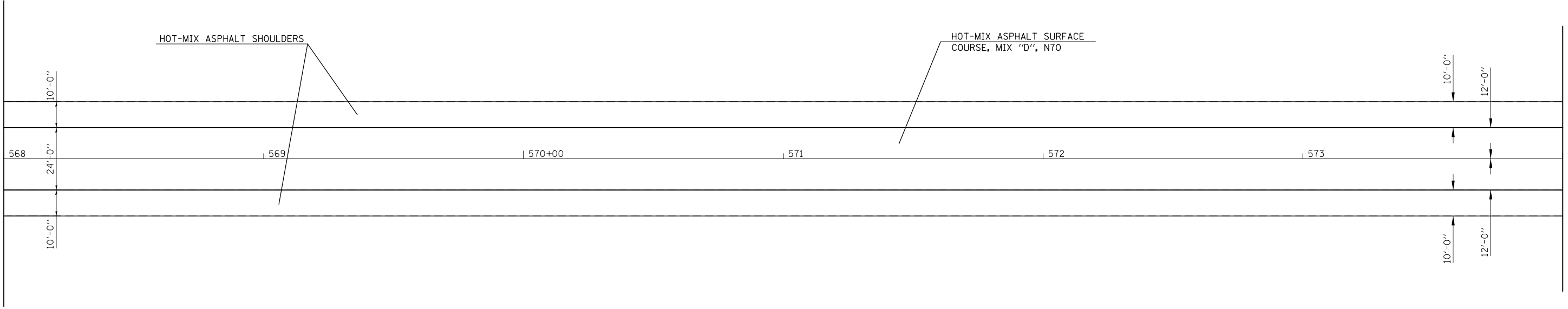
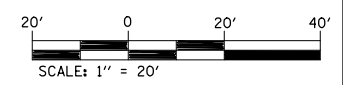
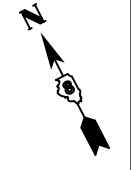
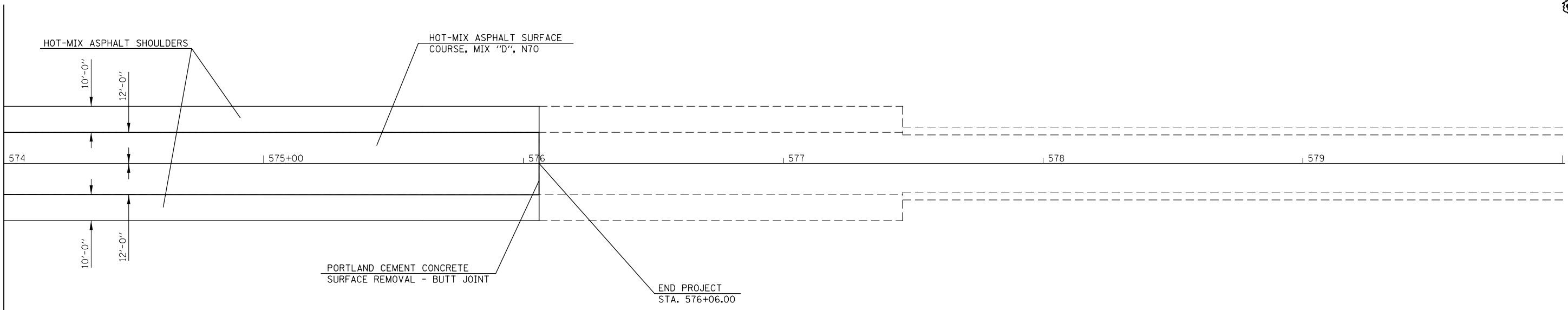


MATCH LINE STA. 568 + 00



MATCH LINE STA. 574 + 00

MATCH LINE STA. 574 + 00



|   |                             |            |           |
|---|-----------------------------|------------|-----------|
| FILE NAME =                             | USER NAME = owerbj          | DESIGNED - | REVISED - |
| et:\pw\work\p\dot\owenbj\d8254768\cover | sheet.dgn                   | DRAWN -    | REVISED - |
|   | PLOT SCALE = 48.0000' / in. | CHECKED -  | REVISED - |
|   | PLOT DATE = 12/14/2012      | DATE -     | REVISED - |

**STATE OF ILLINOIS  
DEPARTMENT OF TRANSPORTATION**

**PLAN VIEW**

SCALE: 1" = 20'    SHEET NO. 19 OF 19 SHEETS    STA. 568+00    TO STA. 580+00

| F.A.P. RTE.        | SECTION     | COUNTY    | TOTAL SHEETS              | SHEET NO. |
|--------------------|-------------|-----------|---------------------------|-----------|
| 103                | (23,24)RS-3 | ST. CLAIR | 38                        | 31        |
| CONTRACT NO. 76E89 |             |           | ILLINOIS FED. AID PROJECT |           |