

STATE OF ILLINOIS
DEPARTMENT OF TRANSPORTATION
DIVISION OF HIGHWAYS

**PROPOSED
HIGHWAY PLANS**

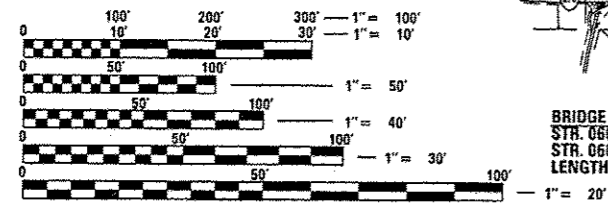
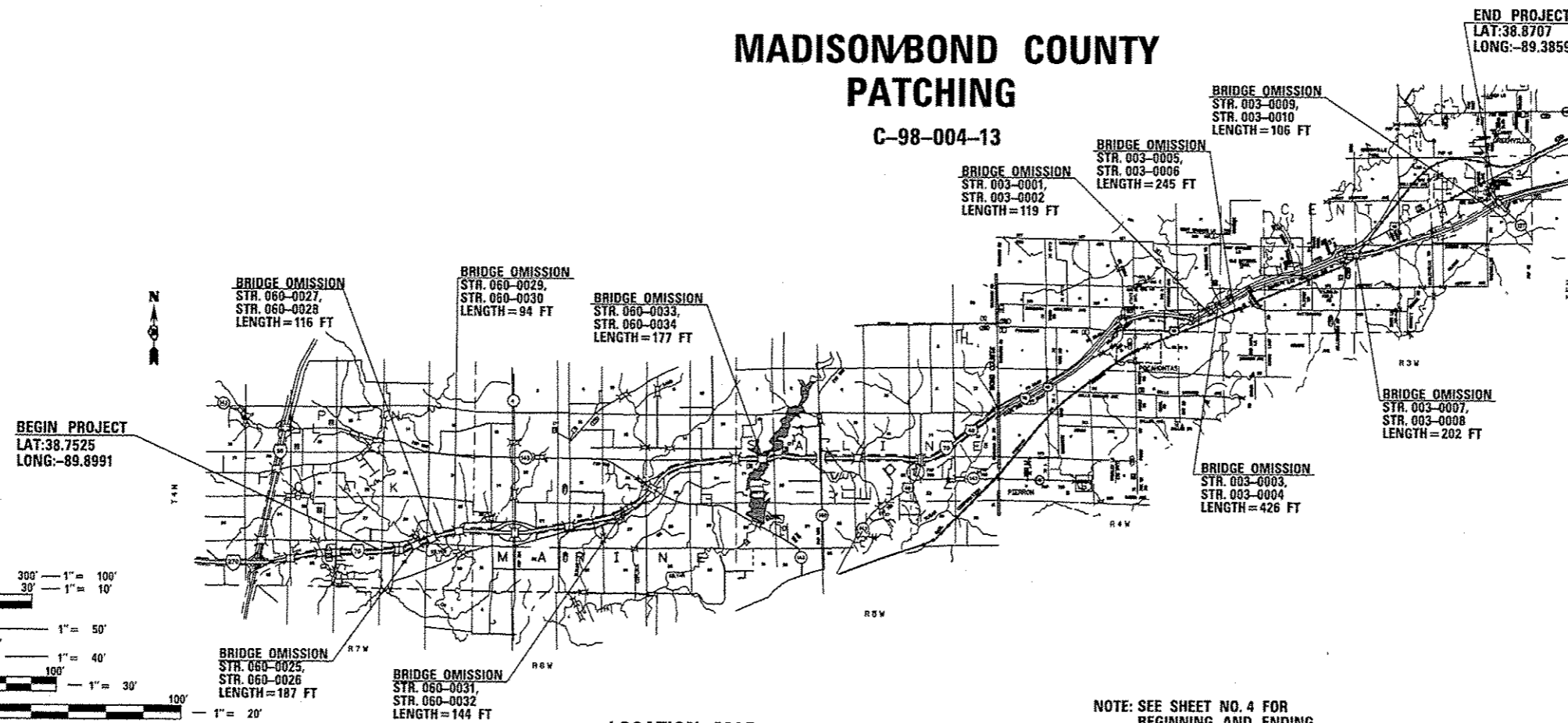
FAI ROUTE 70 (I-70)
DIST 8 PATCHING 2013-3

MADISON/BOND COUNTY
PATCHING

C-98-004-13

F.A.I. RTE.	SECTION	COUNTY	TOTAL SHEETS	SHEET NO.
70	DIST 8 PATCHING 2013-3	ILLINOIS	7	1
*MADISON/BOND			CONTRACT NO. 76G05	

FOR INDEX OF SHEETS, SEE SHEET NO. 2



FULL SIZE PLANS HAVE BEEN PREPARED USING STANDARD ENGINEERING SCALES. REDUCED SIZED PLANS WILL NOT CONFORM TO STANDARD SCALES. IN MAKING MEASUREMENTS ON REDUCED PLANS, THE ABOVE SCALES MAY BE USED.

J.U.L.I.E.
JOINT UTILITY LOCATION INFORMATION FOR EXCAVATION
1-800-892-0123
OR 811

LOCATION MAP
NOT TO SCALE

NOTE: SEE SHEET NO. 4 FOR BEGINNING AND ENDING LOCATIONS

GROSS LENGTH = 149,477 FT. = 28.310 MILE
NET LENGTH = 147,784 FT. = 27.989 MILE

TRAFFIC DATA

Segment	2013 ADT	SU	MU
I-70			
I-55 TO IL 4	28300	3.4%	26.7%
IL 4 TO IL 143	25300	3.3%	28.6%
IL 143 TO IL 160	21600	3.7%	32.2%
IL 160 TO US 40	21800	3.3%	32.7%
US 40 TO MILLERSBURG RD	21000	2.7%	34.5%
MILLERSBURG RD TO IL 127	18000	4.0%	39.2%

PROJECT ENGINEER: PATTI LEBEAU (618) 346-3179
PROJECT MANAGER: REBECCA THARP (618) 346-3323

CONTRACT NO. 76G05

DESIGN DESIGNATION
N/A

STATE OF ILLINOIS
DEPARTMENT OF TRANSPORTATION
DIVISION OF HIGHWAYS

SUBMITTED *Fes 6* 20 *13*

[Signature]
DEPUTY DIRECTOR OF HIGHWAYS, REGION 5 ENGINEER

March 22 20 *13*
John D. Baranzelli P.E. bc
ENGINEER OF DESIGN AND ENVIRONMENT

March 22 20 *13*
Omer Osman P.E. /bc
DIRECTOR OF HIGHWAYS, CHIEF ENGINEER

PRINTED BY THE AUTHORITY
OF THE STATE OF ILLINOIS

GENERAL NOTES

1. THE CONTRACTOR SHALL VERIFY ALL DIMENSIONS AND CONDITIONS IN THE FIELD PRIOR TO CONSTRUCTION AND ORDERING OF MATERIALS.
2. THE LOCATIONS OF THE REPAIR AREAS AS SHOWN IN THE PLANS ARE APPROXIMATE LOCATIONS. THE EXACT LOCATIONS SHALL BE DETERMINED BY THE ENGINEER.
3. ANY EXCAVATION OR DROP-OFF OF MORE THAN 3" AT EDGE OF PAVEMENT SHALL BE PROTECTED WITH EXTENDED LEG BARRICADES AND APPROPRIATE LIGHTING.
4. 'ROAD CONSTRUCTION AHEAD' SIGNS SHALL BE PLACED AT THE BEGINNING AND END OF THE PROJECT PLUS THE INTERSECTING SIDE ROADS AND INTERCHANGES, AND WILL BE CONSIDERED INCLUDED IN THE TRAFFIC CONTROL PAY ITEMS. ALL CONSTRUCTION SIGNS SHALL BE 48" X 48" FLUORESCENT ORANGE.
5. THE RESIDENT ENGINEER SHALL VERIFY THE EXISTENCE OF HIGHWAY LIGHTING AND/OR ITS UTILITIES WITHIN THE PROJECT LIMITS. IF HIGHWAY LIGHTING AND/OR ITS EXISTS WITHIN THE PROJECT LIMITS, AND IF THESE ITEMS REQUIRE LOCATING, THE CONTRACTOR SHALL BE DIRECTED TO DO SO ACCORDING TO SECTION 803 OF THE STANDARD SPECIFICATIONS. IF 'LOCATING UNDERGROUND CABLE' IS NOT INCLUDED AS PART OF THE PLANS, THIS WORK SHALL BE PAID FOR ACCORDING TO ARTICLE 109.04 OF THE STANDARD SPECIFICATIONS.
6. ILLINOIS STATE LAW REQUIRES A 48-HOUR NOTICE BE GIVEN TO ALL UTILITIES WITHIN THE PROJECT AREA BEFORE DIGGING. FIELD MARKING OF FACILITIES MAY BE OBTAINED BY CONTACTING J.U.L.I.E. OR FOR NON-MEMBERS, THE UTILITY COMPANY DIRECTLY. AGENCIES KNOWN TO HAVE FACILITIES WITHIN THE PROJECT AREA ARE AS FOLLOWS:

UTILITY	ABOVE GROUND	BELOW GROUND
* AMEREN ILLINOIS	X	X
* AT&T ILLINOIS	X	X
* AT&T CORPORATION		X
* BOND MADISON WATER COMPANY		X
* BUCKEYE PARTNERS L.P. - WOOD RIVER PIPELINE		X
* CHARTER COMMUNICATIONS, INC.	X	X
* FRONTIER NORTH, INC.	X	X
* VILLAGE OF GRANTFORK		X
* CITY OF GREENVILLE		X
* CITY OF HIGHLAND (PUBLIC WORKS)		X
* CITY OF HIGHLAND (ELEC. DEPT.)	X	X
* HOME TELEPHONE COMPANY	X	X
* ILLINOIS AMERICAN WATER COMP.		X
* MARATHON PETROLEUM COMP., LLC		X
* NEW WAVE COMMUNICATIONS, INC.	X	X
* VILLAGE OF PIERRON		X
* PLAINS PIPELINE CO., L.P.		X
* VILLAGE OF POCAHONTAS		X
* SOUTHWESTERN ELECTRIC COOPERATIVE, INC.	X	X
* TRANSCANADA KEYSTONE PIPELINE		X
* CITY OF TROY		X

MEMBERS OF J.U.L.I.E. CALL TOLL FREE (800) 892-0123 OR 811 AND ARE INDICATED BY *. NON-J.U.L.I.E. MEMBERS MUST BE NOTIFIED INDIVIDUALLY.

7. THE DEPARTMENT STRONGLY ENCOURAGES THE PRIME CONTRACTOR AND THEIR APPROVED SUB-CONTRACTORS TO HIRE MINORITY, WOMEN AND DISADVANTAGED INDIVIDUALS FROM ITS FEDERALLY FUNDED HIGHWAY CONSTRUCTION CAREERS TRAINING PROGRAM (HCCTP) TO HELP MEET WORKFORCE AND TRAINEE GOALS. THIS PROGRAM IS TRAINING MINORITIES, WOMEN AND DISADVANTAGED INDIVIDUALS IN HIGHWAY CONSTRUCTION-RELATED SKILLS, E.G., MATH FOR THE TRADES, JOB READINESS, TECHNICAL SKILLS COURSEWORK (CARPENTRY, CONCRETE FLATWORK, BLUEPRINT READING, SITE PLANS, SITE WORK, TOOLS USE, ETC.) AND OSHA 10 HOUR CERTIFICATION, TO PREPARE THEM FOR A CAREER IN THE HIGHWAY CONSTRUCTION TRADES. GRADUATES ARE WELL-TRAINED AND READY TO BECOME PRODUCTIVE ENTRY-LEVEL CONSTRUCTION WORKERS. CONTACT THE DISTRICT 8 EEO OFFICE AT 618-346-3360 AND/OR THE HCCTP COORDINATOR AT 618-874-6528 TO LEARN MORE ABOUT THE PROGRAM AND FOR ASSISTANCE IN MEETING WORKFORCE AND TRAINEE GOALS.

INDEX OF SHEETS

1. COVER SHEET
2. INDEX OF SHEETS, STANDARDS, GENERAL NOTES COMMITMENTS
3. SUMMARY OF QUANTITIES
4. BEGIN AND END PROJECT LOCATIONS
5. TYPICAL SECTIONS
6. PATCHING SCHEDULE
7. PATCHING AND PAVEMENT MARKING SCHEDULES

STANDARDS

- 000001-06
- 001001-02
- 001006
- 421001-02
- 442001-04
- 701400-06
- 701401-07
- 701411-08
- 701901-02
- 780001-03
- 781001-03

COMMITMENTS

NONE

*MADISON/BOND

FILE NAME =	USER NAME = thorpri	DESIGNED -	REVISED -	STATE OF ILLINOIS DEPARTMENT OF TRANSPORTATION	GENERAL NOTES, INDEX OF SHEETS, STANDARDS & COMMITMENTS	F.A.T. RTE.	SECTION	COUNTY	TOTAL SHEETS	SHEET NO.
ei:\pwwork\pwwork\thorpri\48311563\0876595-aht-plan.dgn	DRAWN -	REVISED -	70			DIST 8 PATCHING 2013-3	*	7	2	
PLOT SCALE = 1/8"=1'-0" / in.	CHECKED -	REVISED -	CONTRACT NO. 76G05							
PLOT DATE = 2/5/2013	DATE -	REVISED -	[ILLINOIS] FED. AID PROJECT							
					SCALE: _____ SHEET _____ OF _____ SHEETS		STA. _____ TO STA. _____			

SUMMARY OF QUANTITIES

100% STATE

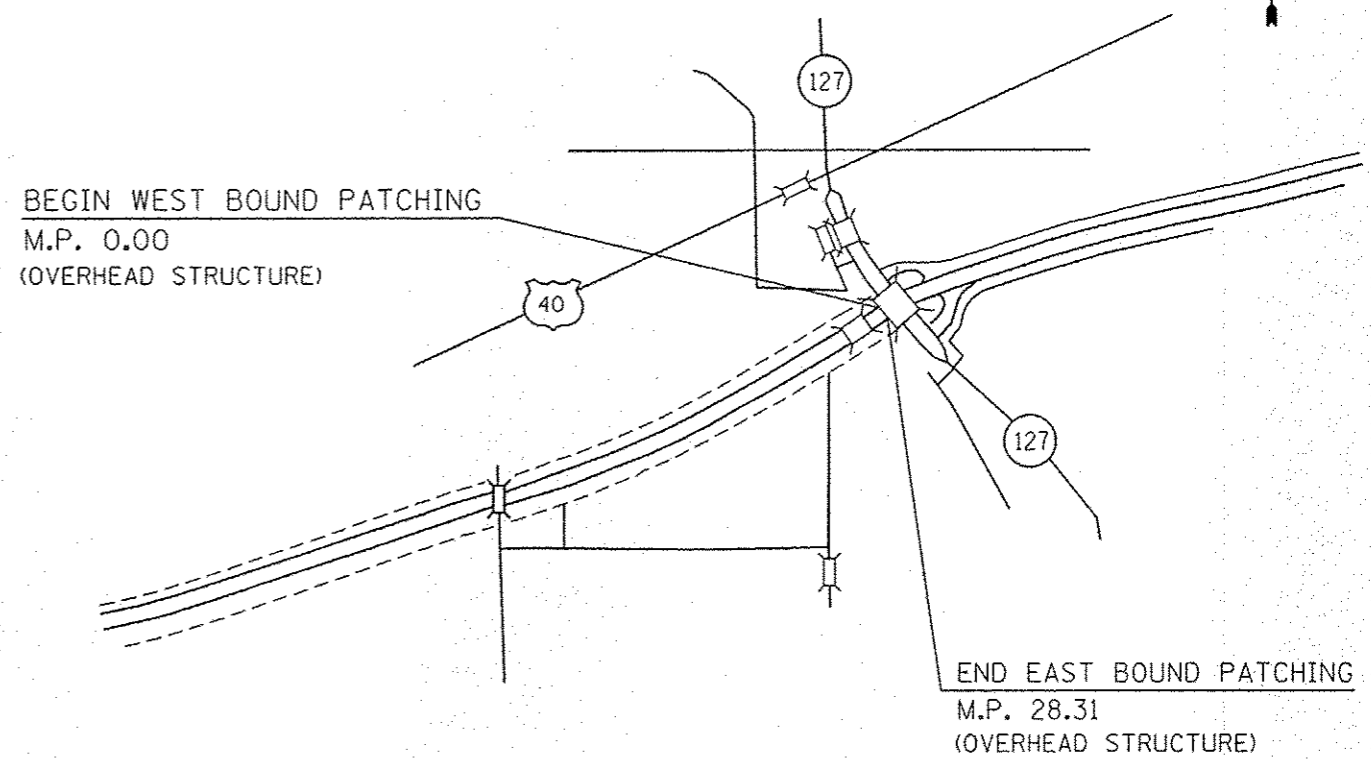
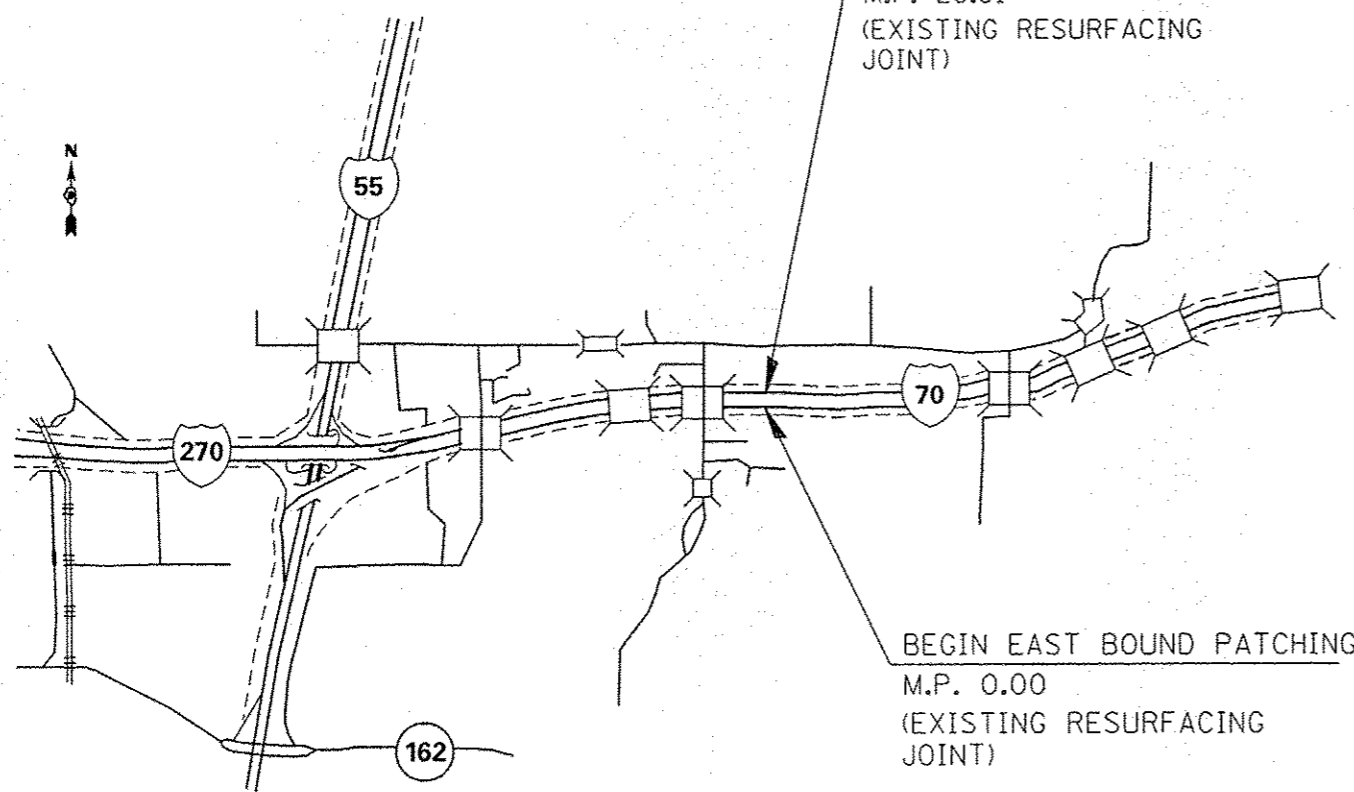
SUMMARY OF QUANTITIES			URBAN TOTAL QUANTITIES	CONSTRUCTION TYPE CODE		
CODE NO	ITEM	UNIT		0005		
				MADISON COUNTY	BOND COUNTY	
44200610	CLASS A PATCHES, TYPE II, 13 INCH	SQ YD	152	152		
44200612	CLASS A PATCHES, TYPE III, 13 INCH	SQ YD	188	172	16	
44200614	CLASS A PATCHES, TYPE IV, 13 INCH	SQ YD	953	926	27	
44200616	CLASS A PATCHES, TYPE I, 14 INCH	SQ YD	12		12	
44200620	CLASS A PATCHES, TYPE II, 14 INCH	SQ YD	255		255	
44200624	CLASS A PATCHES, TYPE III, 14 INCH	SQ YD	64		64	
44200628	CLASS A PATCHES, TYPE IV, 14 INCH	SQ YD	183		183	
44213000	PATCHING REINFORCEMENT	SQ YD	1807	1250	557	
44213200	SAW CUTS	FOOT	6934	4170	2764	
44213204	TIE BARS 3/4"	EACH	351	296	55	
67100100	MOBILIZATION	L SUM	1	0.7	0.3	
70100420	TRAFFIC CONTROL AND PROTECTION, STANDARD 701411	EACH	28	18	10	
70100800	TRAFFIC CONTROL AND PROTECTION, STANDARD 701401	L SUM	1	0.7	0.3	

100% STATE

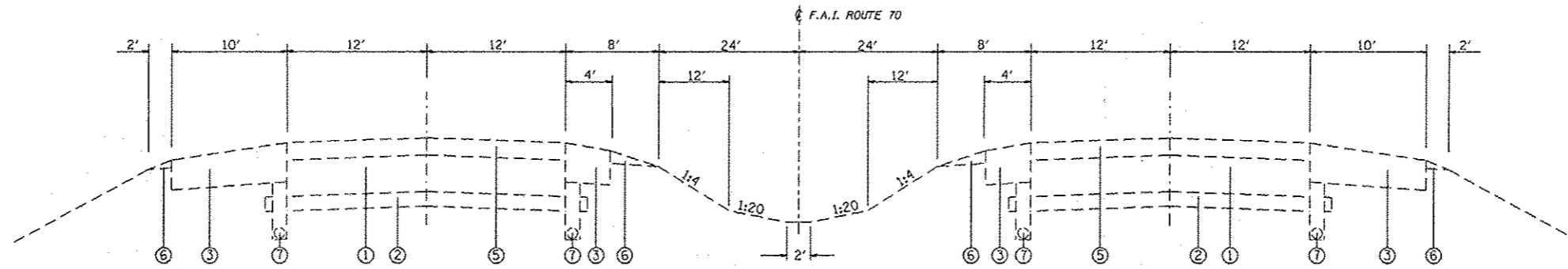
SUMMARY OF QUANTITIES			URBAN TOTAL QUANTITIES	CONSTRUCTION TYPE CODE		
CODE NO	ITEM	UNIT		0005		
				MADISON COUNTY	BOND COUNTY	
70103815	TRAFFIC CONTROL SURVEILLANCE	CAL DA	19	13	6	
* 78001110	PAINT PAVEMENT MARKING - LINE 4"	FOOT	1317	1317		
* 78001130	PAINT PAVEMENT MARKING - LINE 6"	FOOT	667		667	
* 78100100	RAISED REFLECTIVE PAVEMENT MARKER	EACH	35	25	10	

*SPECIALTY ITEM

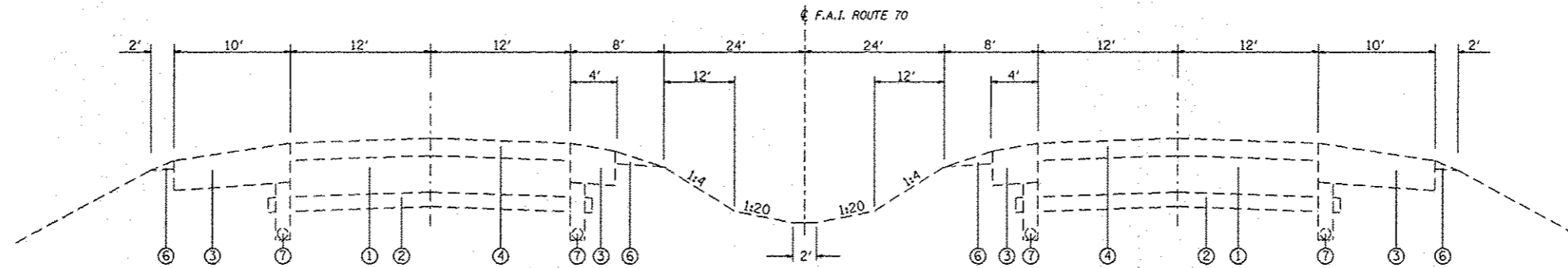
FILE NAME :	USER NAME : tharp1	DESIGNED -	REVISED -	STATE OF ILLINOIS DEPARTMENT OF TRANSPORTATION	SUMMARY OF QUANTITIES	F.A.I. RTE.	SECTION	COUNTY	TOTAL SHEETS	SHEET NO.	
cr:\pvc\work\pvidot\tharp1\48311563\4876915-sh1-plan.dgn	PLLOT SCALE = 1/8"=1'-0"	DRAWN -	REVISED -			70	DIST 8 PATCHING 2013-3			7	3
	PLLOT DATE = 2/5/2013	CHECKED -	REVISED -			CONTRACT NO. 76G05					
		DATE -	REVISED -			FED. ROAD DIST. NO. - ILLINOIS FED. AID PROJECT					



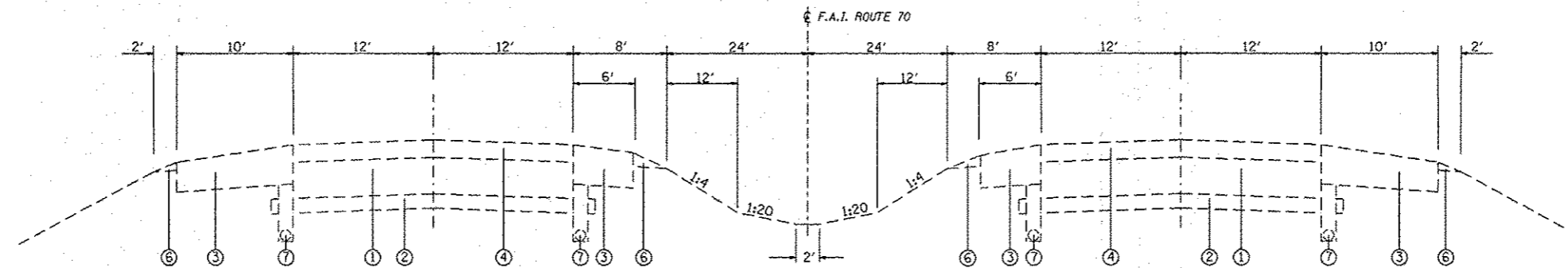
FILE NAME * o:\pwork\puidot\thorpri\d0311563\d876g85-ahc-plan.dgn		USER NAME * thorpri thorpri	DESIGNED - DRAWN - CHECKED - DATE -	REVISED - REVISED - REVISED - REVISED -	STATE OF ILLINOIS DEPARTMENT OF TRANSPORTATION	BEGIN AND END PROJECT LOCATIONS		*MADISON/BOND F.A.I. RTE. SECTION COUNTY TOTAL SHEETS SHEET NO. 70 DIST 8 PATCHING 2013-3 - 7 4	
PLOT SCALE * 1/8" = 1' / in. PLOT DATE * 2/5/2013		DATE -				SCALE: _____ SHEET NO. _____ OF _____ SHEETS STA. _____ TO STA. _____	FED. ROAD DIST. NO. _____ [ILLINOIS] FED. AID PROJECT		CONTRACT NO. 76G05



TYPICAL SECTION
M.P. 0.00 TO M.P. 15.53



TYPICAL SECTION
M.P. 15.53 TO M.P. 25.97



TYPICAL SECTION
M.P. 25.97 TO M.P. 28.31

LEGEND

- ① EXISTING 8" CONTINUOUSLY REINFORCED P.C.C. PAVEMENT
- ② EXISTING 4" STABILIZED SUB-BASE
- ③ EXISTING STABILIZED SHOULDER
- ④ EXISTING BITUMINOUS RESURFACING, 6"
- ⑤ EXISTING BITUMINOUS RESURFACING, 5"
- ⑥ EXISTING AGGREGATE SHOULDER, TYPE B
- ⑦ EXISTING PIPE UNDERDRAINS

USER NAME = thorp-1	DESIGNED -	REVISED -
	DRAWN -	REVISED -
PLOT SCALE = 1/8" = 20' / 1"	CHECKED -	REVISED -
PLOT DATE = 2/5/2013	DATE -	REVISED -

STATE OF ILLINOIS
DEPARTMENT OF TRANSPORTATION

TYPICAL SECTIONS

SCALE: SHEET NO. OF SHEETS STA. TO STA.

*MADISON/BOND

F.A.I. RTE.	SECTION	COUNTY	TOTAL SHEETS	SHEET NO.
70	DIST 8 PATCHING 2013-3		7	5
FED. ROAD DIST. NO. - ILLINOIS FED. AID PROJECT			CONTRACT NO. 76G05	

PATCHING SCHEDULE

LOCATION	LANE	LENGTH (FEET)	WIDTH (FEET)	CLASS A PATCHING 13"			CLASS A PATCHING 14"				SAW CUTS (FOOT)	PATCHING REINFORCEMENT (SQ YD)	TIE BARS (EACH)	COMMENTS	
				TYPE 2	TYPE 3	TYPE 4	TYPE 1	TYPE 2	TYPE 3	TYPE 4					
				(SQ YDS)	(SQ YDS)	(SQ YDS)	(SQ YDS)	(SQ YDS)	(SQ YDS)	(SQ YDS)					
EAST BOUND															
0.00	DL	18	12		24.00						84	24.00		RESURF. JOINT	
0.40	DL	20	12			26.67					88	26.67			
4.90	DL	10	12	13.33							68	13.33		MARINE/ST. JACOB OVERPASS	
4.92	DL	20	12			26.67					88	26.67			
4.97	DL	20	12			26.67					88	26.67			
5.00	DL	20	12			26.67					88	26.67			
5.10	DL	20	12			26.67					88	26.67			
6.50	DL	12	6	8.00							48	8.00			
6.80	DL	6	12	8.00							60	8.00			
7.00												0.00		IL 143	
7.40	DL	30	12			40.00					108	40.00	15		
7.60	DL	35	12			46.67					118	46.67	17		
7.63	DL	45	12			66.67					138	66.67	22		
8.04	DL	20	12			26.67					88	26.67			
8.15	DL	20	12			26.67					88	26.67			
8.25	DL	15	12		20.00						78	20.00			
8.65	DL	90	12			120.00					228	120.00	45		
11.25	DL	12	12		16.00						72	16.00			
15.25												0.00		MADISON/BOND CO. LINE	
15.27	PL	12	12		16.00						72	16.00			
15.65	DL	6	12					8.00			60	8.00			
18.75	DL	6	6				4.00				36	4.00			
18.85	DL	20	6					13.33			64	13.33			
19.25	DL	6	12					8.00			60	8.00			
20.85	DL	12	12						16.00		72	16.00			
20.85	PL	12	12						16.00		72	16.00			
21.05	DL	6	12					8.00			60	8.00			
21.35	DL	8	12					10.67			64	10.67			
21.35	PL	8	12					10.67			64	10.67			
21.45	DL	6	12					8.00			60	8.00			
21.45	PL	6	12					8.00			60	8.00			
22.15	PL	12	12						16.00		72	16.00			
24.15	DL	6	12					8.00			60	8.00			
24.35	DL	6	6				4.00				36	4.00			
24.37	DL	30	12						40.00		108	40.00	20		
24.37	PL	6	12					8.00			60	8.00			
24.45	DL	20	12						26.67		88	26.67			
24.45	PL	20	12						26.67		88	26.67			
24.46	DL	20	6					13.33			64	13.33			
25.05	DL	10	12					13.33			68	13.33			
25.15	DL	20	6					13.33			64	13.33			
25.20	DL	20	6					13.33			64	13.33			
25.25	DL	10	6					6.67			44	6.67			
26.35	DL	6	12					8.00			60	8.00			
26.45	DL	6	12					8.00			60	8.00			
26.85	DL	6	12					8.00			60	8.00			
27.35	DL	12	12						16.00		72	16.00			
27.75	DL	6	12					8.00			60	8.00			
27.75	DL	6	12					8.00			60	8.00			
27.85	DL	6	12					8.00			60	8.00			
27.85	PL	6	12					8.00			60	8.00			
27.95	DL	30	15						50.00		120	50.00	15		
SUB-TOTALS					29	76	460	8	207	64	143	3790	987	134	

DL = DRIVING LANE
PL = PASSING LANE

FILE NAME =	USER NAME = thorpri	DESIGNED -	REVISED -	STATE OF ILLINOIS DEPARTMENT OF TRANSPORTATION	PATCHING SCHEDULES	F.A.I. RTE.	SECTION	COUNTY	TOTAL SHEETS	SHEET NO.
c:\pwworkspace\thorpri\10311563\1076295\shs-plan.dgn		DRAWN -	REVISED -			70	DIST 8 PATCHING 2013-3		7	6
PLOT SCALE = 1/8" = 1' / in.		CHECKED -	REVISED -			CONTRACT NO. 76G05				
PLOT DATE = 2/5/2013		DATE -	REVISED -			FED. ROAD DIST. NO. - [ILLINOIS] FED. AID PROJECT				
SCALE: _____		SHEET NO. _____ OF _____ SHEETS		STA. _____ TO STA. _____						

*MADISON/BOND

PATCHING SCHEDULE

LOCATION	LANE	LENGTH (FEET)	WIDTH (FEET)	CLASS A PATCHING 13"			CLASS A PATCHING 14"				SAW CUTS (FOOT)	PATCHING REINFORCEMENT (SQ YD)	TIE BARS (EACH)	COMMENTS
				TYPE 2 (SQ YDS)	TYPE 3 (SQ YDS)	TYPE 4 (SQ YDS)	TYPE 1 (SQ YDS)	TYPE 2 (SQ YDS)	TYPE 3 (SQ YDS)	TYPE 4 (SQ YDS)				
WEST BOUND														
0.00														IL 127 OVERPASS
0.13	DL	6	12					8.00			60	8.00		
0.13	PL	6	12					8.00			60	8.00		
3.50	DL	30	12							40.00	108	40.00	20	
5.70	DL	6	12					8.00			60	8.00		
6.50	PL	6	12					8.00			60	8.00		
6.51	PL	6	6				4.00				36	4.00		
7.10	DL	6	12					8.00			60	8.00		
7.10	PL	6	12					8.00			60	8.00		
12.70	DL	20	12			26.67					88	26.67		COUNTY LINE
12.75	DL	20	12			26.67					88	26.67		
14.65	DL	8	6	5.33							40	5.33		
15.46	DL	6	12	8.00							60	8.00		
15.85	DL	25	12			33.33					98	33.33	12	
17.05	DL	25	12			33.33					98	33.33	15	
17.6	DL	140	6			93.33					304	93.33	75	
18.32	DL	12	6	8.00							48	8.00		
18.8	DL	120	12			160.00					288	160.00	65	
20.8	DL	50	12			66.67					148	66.67	30	
21.00	DL	6	12	8.00							60	8.00		IL 143 OVERPASS
21.10	DL	20	12			26.67					88	26.67		
21.70	DL	6	12	8.00							60	8.00		
21.70	PL	6	12	8.00							60	8.00		
21.75	DL	6	12	8.00							60	8.00		
21.75	PL	6	12	8.00							60	8.00		
21.90	DL	20	12			26.67					88	26.67		
22.00	DL	12	12		16.00						72	16.00		
22.10	DL	12	12		16.00						72	16.00		
22.50	DL	12	12		16.00						72	16.00		
22.20	DL	12	12		16.00						72	16.00		
22.60	DL	12	12		16.00						72	16.00		
22.70	DL	12	12		16.00						72	16.00		
22.90	DL	12	12		16.00						72	16.00		
23.00	PL	12	6	8.00							48	8.00		MARINE/ST. JACOB OVERPASS
23.90	DL	8	12	10.67							64	10.67		
24.30	DL	8	12	10.67							64	10.67		
24.30	PL	8	6	5.33							40	5.33		IL 4 OVERPASS
26.20	DL	6	12	8.00							60	8.00		
26.20	PL	6	12	8.00							60	8.00		
26.90	DL	8	12	10.67							64	10.67		OVERPASS 060-0174
SUB-TOTAL				123	112	493	4	48	0	40	3144	820	217	
GRAND TOTALS				152	188	953	12	255	64	183	6934	1807	351	

DL = DRIVING LANE
PL = PASSING LANE

PAVEMENT MARKING SCHEDULE

LOCATION	LENGTH	PAINT PAVEMENT MARKING				RAISED REFLECTIVE PAVEMENT MARKERS
		4"		6"		
M.P.	TO	M.P.	TO	M.P.	TO	EACH
0.00	TO	15.33				25
15.33	TO	28.31				10
SUB-TOTALS						35
GRAND TOTALS						35

*MADISON/BOND