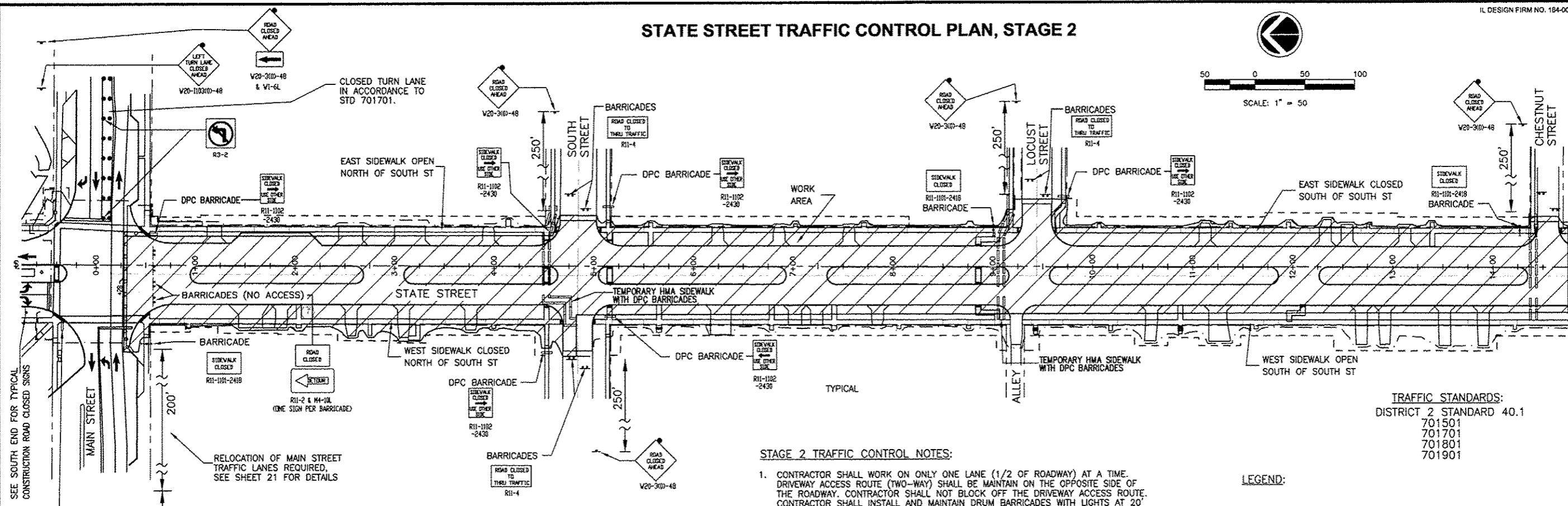
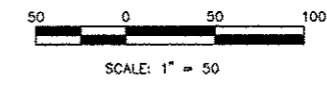


STATE STREET TRAFFIC CONTROL PLAN, STAGE 2



STAGE 2 TRAFFIC CONTROL NOTES:

1. CONTRACTOR SHALL WORK ON ONLY ONE LANE (1/2 OF ROADWAY) AT A TIME. DRIVEWAY ACCESS ROUTE (TWO-WAY) SHALL BE MAINTAIN ON THE OPPOSITE SIDE OF THE ROADWAY. CONTRACTOR SHALL NOT BLOCK OFF THE DRIVEWAY ACCESS ROUTE. CONTRACTOR SHALL INSTALL AND MAINTAIN DRUM BARRICADES WITH LIGHTS AT 20' SPACINGS BETWEEN HIS WORK AREA AND THE PUBLIC DRIVEWAY ACCESS ROUTE AT ALL TIMES.
2. CONFORM TO DISTRICT STANDARD 40.1 AND HIGHWAY STANDARD 701701 FOR ROAD CLOSURE. PROVIDE AGGREGATE FOR TEMPORARY ACCESS AS NECESSARY.
3. MAINTAIN PEDESTRIAN ACCESS TO PROPERTY / BUSINESSES. SAFETY FENCE SHALL BE ERECTED BETWEEN ALL OPEN PEDESTRIAN AREAS AND ADJACENT WORK AREAS.
4. CONFORM TO STANDARD 701801 FOR SIDEWALK CLOSURES. SIDEWALKS ON BOTH SIDES OF THE STREET SHALL NOT BE CLOSED AT THE SAME TIME. PEDESTRIAN ACCESS SHALL BE MAINTAINED AT ALL TIMES. INSTALL 4" THICK, 4' WIDE TEMPORARY HMA SIDEWALKS (PER TYPICAL SECTION) AS REQUIRED TO MAINTAIN ACCESS.
5. COORDINATE WITH LOCAL RESIDENTS AND BUSINESSES A MINIMUM OF 48 HOURS PRIOR TO RESTRICTING ACCESS TO DRIVEWAYS AND BUSINESS ENTRANCES.
6. PROVIDE A MINIMUM OF 2 WEEKS NOTICE TO BUSINESSES AND THE CITY OF GENESEO PRIOR TO FULL CLOSURE OF THE TRAVEL LANE OR SIDEWALK.
7. IF A PROPERTY AND / OR BUSINESS HAS TWO ACCESS DRIVEWAYS AS DETERMINED BY THE ENGINEER, THE REMOVAL AND REPLACEMENT OF THE TWO DRIVEWAYS SHALL NOT OCCUR SIMULTANEOUSLY. ONE PAVED DRIVEWAY SHALL BE OPEN TO THE PROPERTY AND / OR BUSINESS AT ALL TIMES.

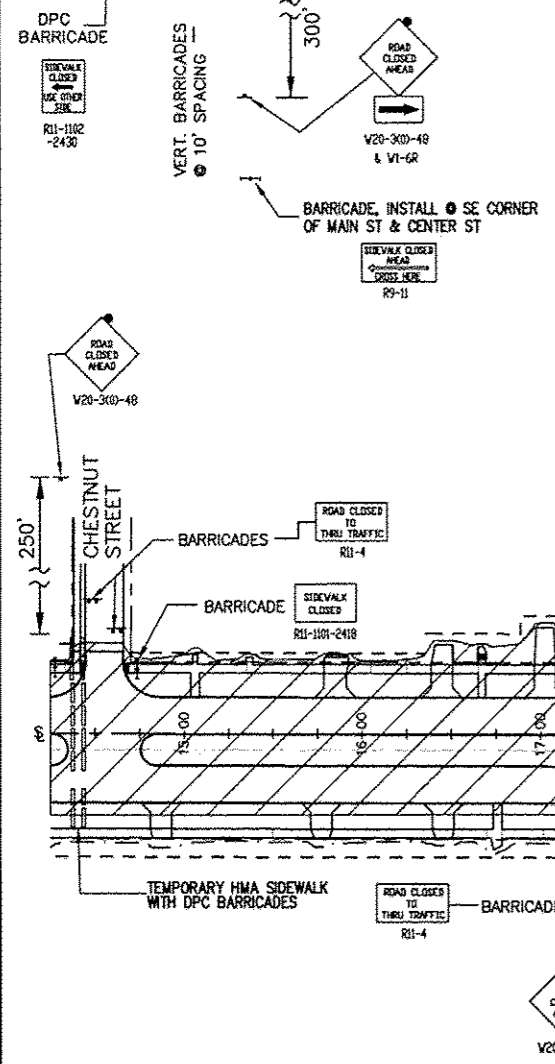
LEGEND:

- WORK AREA
- TYPE III BARRICADE WITH FLASHERS
- DETECTABLE PEDESTRIAN CHANNELLIZING (DPC) BARRICADE
- BARRICADE OR DRUM WITH LIGHT
- SIGN WITH FLASHING LIGHT
- SIGN ON PORTABLE OR PERMANENT SUPPORT
- DRUM WITH LIGHT
- VERTICAL BARRICADE WITH LIGHT
- INDICATES DIRECTION OF TRAFFIC FLOW ONLY (NO PAVEMENT MARKING)

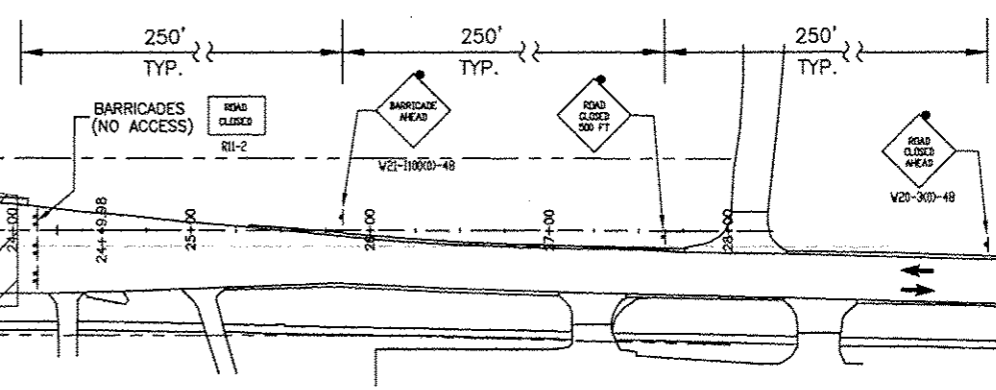
STAGE 2 TRAFFIC STATUS:

1. SOUTH STATE STREET CLOSED. TRAFFIC DETOUR REQUIRED. SEE SHEET 20 FOR THE OAKWOOD AVENUE DETOUR PLAN. SEE SHEET 21 FOR RELOCATION OF MAIN STREET TRAFFIC LANES.
2. MAINTAIN DRIVEWAY ACCESS ACROSS MEDIAN. MAINTAIN TWO WAY ACCESS TO DRIVEWAYS. LOCAL TRAFFIC ACCESS FROM SIDE STREETS SHALL BE MAINTAINED.
3. MAINTAIN EAST SIDEWALK FOR PEDESTRIAN TRAFFIC NORTH OF SOUTH STREET.
3. MAINTAIN WEST SIDEWALK FOR PEDESTRIAN TRAFFIC SOUTH OF SOUTH STREET.
4. INSTALL 4" THICK, 4' WIDE TEMPORARY HMA SIDEWALKS TO MAINTAIN PEDESTRIAN TRAFFIC ACROSS THE WORK AREA AT SOUTH STREET, LOCUST STREET, AND CHESTNUT STREET.
5. COVER THE LEFT TURN ARROW SIGNAL HEAD FOR THE MAIN STREET WEST BOUND TURNING SOUTH ONTO STATE STREET AND CLOSE TURN LANE ACCORDING TO HIGHWAY STANDARD 701701.

TRAFFIC STANDARDS:
 DISTRICT 2 STANDARD 40.1
 701501
 701701
 701801
 701901



TYPICAL, CONSTRUCTION ROAD CLOSED SIGNS, NORTH & SOUTH OF PROJECT (2 SETS OF 3 SIGNS = 6 SIGNS)



TRAFFIC CONTROL ITEMS REQUIRED ON OAKWOOD AVE., SEE SHEET 20 FOR DETAILS

NO.	REVISIONS	DESCRIPTION	DATE

Missman, Inc.
 Professional Engineers & Land Surveyors

Rock Island, IL • Bettendorf, IA • Rockford, IL • Springfield, IL
 (815) 344-0050 • (815) 965-5400 • (815) 985-3825
 (888) 785-7644 • www.missman.com

STATE STREET RE-CONSTRUCTION
 GENESEO, ILLINOIS

TRAFFIC CONTROL PLAN - STAGE 2

Missman Project No: A10M008
File Name: A10M008 TRAFFIC CONTROL.dwg
© COPYRIGHT 2013 ALL RIGHTS RESERVED
Field Book No: #####
Drawn By: JNM
Checked By: JLM
Date: 11/19/2012
16
Sheet 16 of 99

G:\2010\A10M008-Geneseo-S.State St. SewerWaterDrawings\PlotA10M008 TRAFFIC CONTROL.dwg, 3/7/2013 1:02:50 PM, jefim