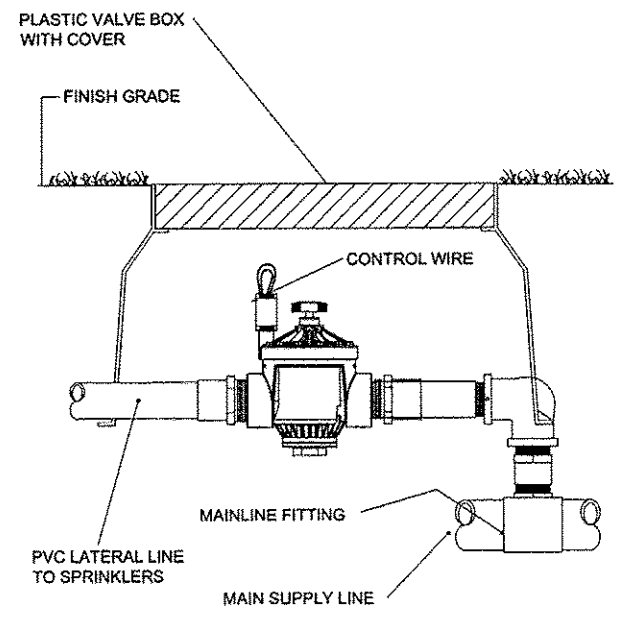
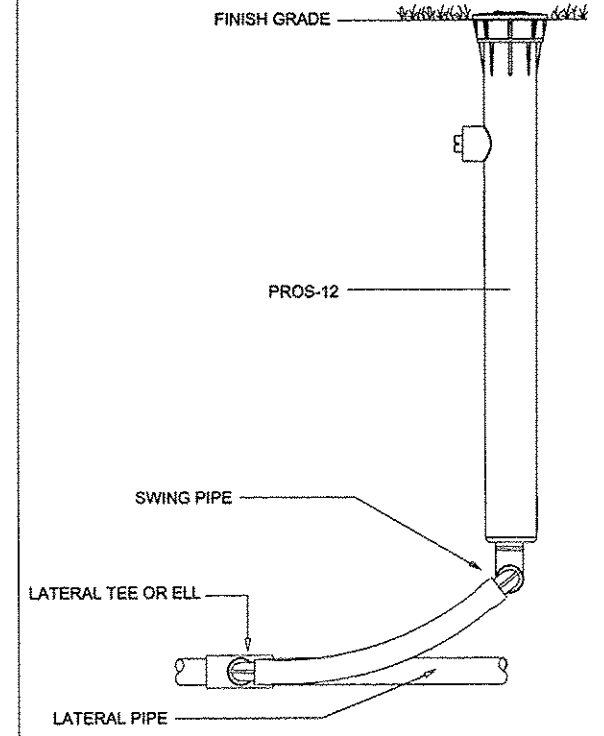


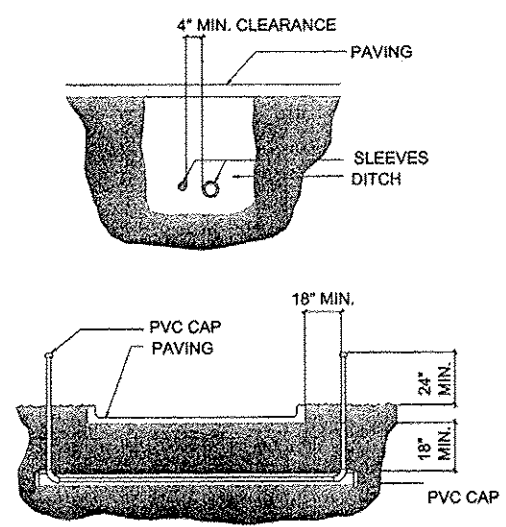
POP-UP SPRAY SPRINKLER



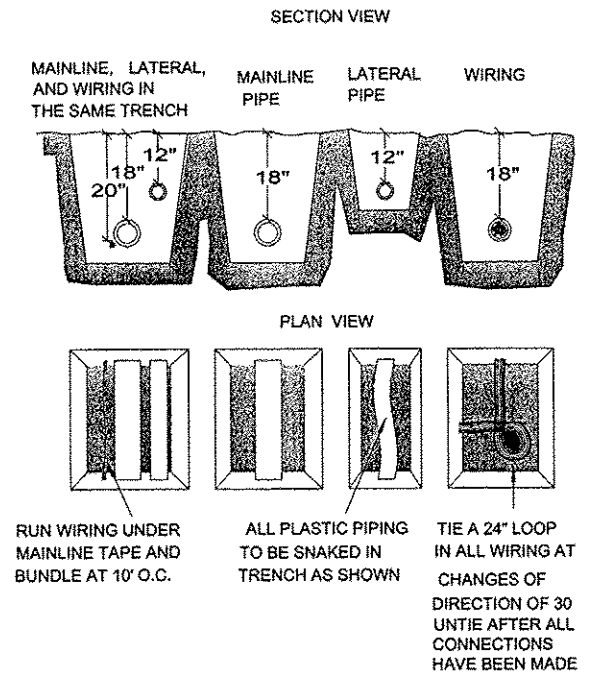
REMOTE CONTROL VALVE



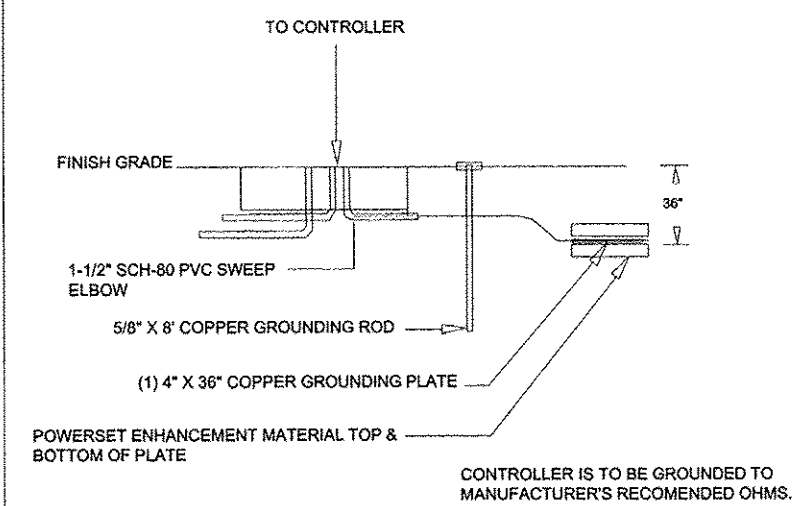
POP-UP SPRAY SPRINKLER



IRRIGATION SLEEVING



PIPE AND WIRE TRENCH



CONTROLLER GROUNDING

REVISIONS	DESCRIPTION	DATE
No.		

**Missman, inc.**  
Professional Engineers & Land Surveyors

Rock Island, IL • Bettendorf, IA • Rockford, IL • Sycamore, IL  
(309) 788-7844 • (563) 344-0260 • (615) 965-6400 • (615) 882-3825  
www.missman.com

STATE STREET RE-CONSTRUCTION  
GENESECO, ILLINOIS

IRRIGATION DETAILS

Missman Project No:  
A10M008

File Name:  
A10M008-IRRIGATION.dwg

© COPYRIGHT 2013  
ALL RIGHTS RESERVED

Field Book No: #####

Drawn By: WKS  
Checked By: JLM  
Date: 11/19/2012

*Mark A. Slifka* 2-22-13

**MARK A. SLIFKA**  
REGISTERED LANDSCAPE ARCHITECT

ILLINOIS #157-000731 IOWA #00465