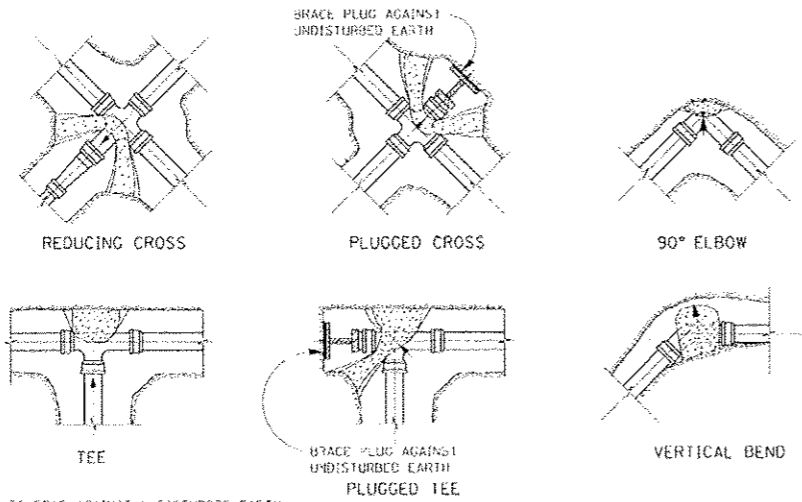


THRUST BLOCK DETAILS



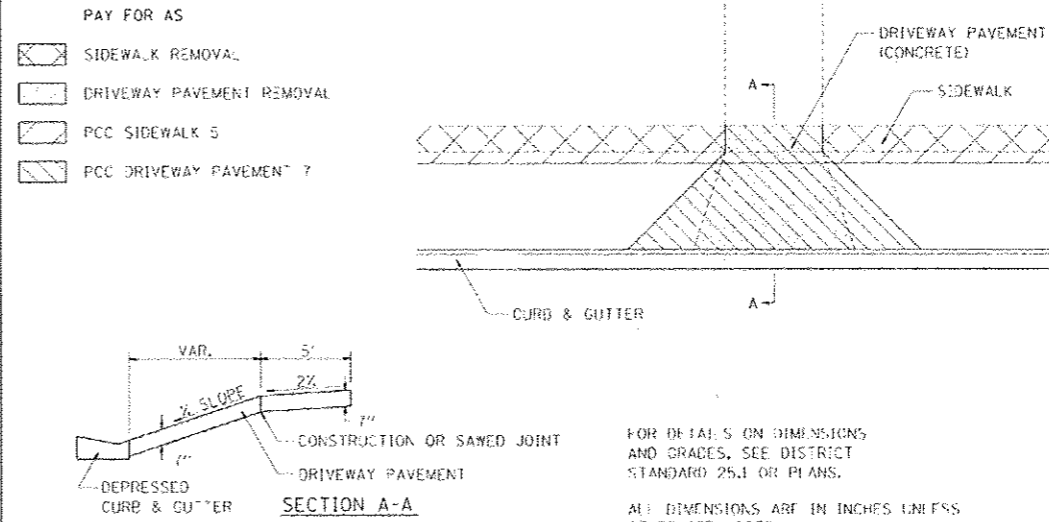
NOTES:
 ALL BLOCKS TO BEAR AGAINST UNDISTURBED EARTH.
 ARROWS INDICATE DIRECTION OF THRUST.
 ALL BLOCKS TO BE CLASS SI CONCRETE.
 ALL FITTINGS SHOWN IN PLAN EXCEPT VERTICAL BEND.

ALL DIMENSIONS ARE IN INCHES UNLESS OTHERWISE NOTED.

REVISED - 10-3-11	REGION 2 / DISTRICT 2 STANDARD	F.A. R.F.	SECTION	COUNTY	TOTAL SHEETS	SHEET NO.
REVISED -						
REVISED -						
REVISED -	SCALE: 3/8" = 1'-0"	SHEET NO.	OF	SHEETS	STA.	TO STA.
PLT DATE: 11-19-2012		FED. ROAD DIST. NO.	(ILLINOIS)	FED. AID PROJECT	CONTRACT NO.	

THRUST BLOCK DETAILS 34.4

SIDEWALK AND DRIVEWAY PAVEMENT PAY AREAS



REVISED - 10-3-11	REGION 2 / DISTRICT 2 STANDARD	F.A. R.F.	SECTION	COUNTY	TOTAL SHEETS	SHEET NO.
REVISED -						
REVISED -						
REVISED -	SCALE: 1/2" = 1'-0"	SHEET NO.	OF	SHEETS	STA.	TO STA.
PLT DATE: 11-19-2012		FED. ROAD DIST. NO.	(ILLINOIS)	FED. AID PROJECT	CONTRACT NO.	

SIDEWALK AND DRIVEWAY PAVEMENT PAY AREAS 35.4

REVISIONS		DATE
No.	DESCRIPTION	

Missman, Inc.
 Professional Engineers & Land Surveyors
 Rock Island, IL • Batavia, IL • Rockford, IL • Sycamore, IL
 (815) 344-6266 • (815) 366-6600 • (815) 885-8825
 www.missman.com

STATE STREET RE-CONSTRUCTION
 GENESEO, ILLINOIS
 DISTRICT STANDARDS - 2

Missman Project No: A10M008
 File Name:
 A10M008 DISTRICT
 © COPYRIGHT 2013
 ALL RIGHTS RESERVED
 Field Book No: ###
 Drawn By: WKS
 Checked By: JLM
 Date: 11/19/2012