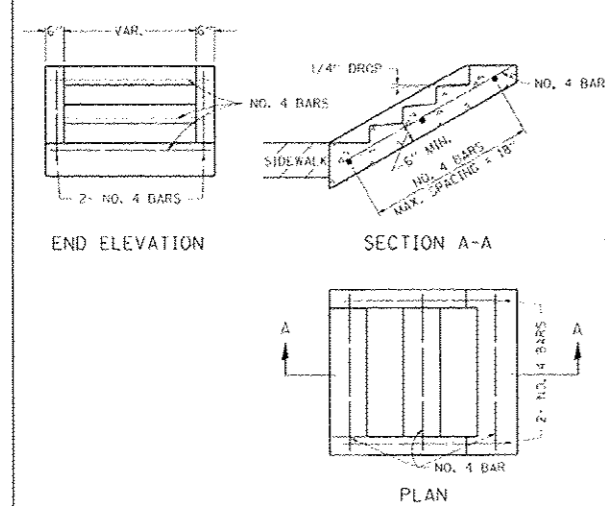


DETAIL OF CONCRETE STEPS



SLOPE	TREAD	RISER
1:2	12"	6"
1:3	15"	5"
1:4	17"	4 1/4"

WHERE SLOPES FALL BETWEEN THOSE SHOWN IN THE TABLE ABOVE, THE STAIR RAIL SHOULD FIT THE SLOPE AND THE TREAD IN INCHES X THE RISER IN INCHES SHOULD BE BETWEEN 72 AND 78.

EXAMPLE:
 FOR A 1:4 SLOPE, USE $y = \text{RISER HEIGHT } 4y^2 = 75"$.
 SOLVING $y^2 = 75/4$, $y = 4.3"$ (USE A 1/4" FOR CONVENIENCE).
 TREAD WOULD THEN BE $4 \times 4.3 = 17"$

COST OF REINFORCEMENT BARS SHALL BE PAID FOR AT THE CONTRACT UNIT PRICE PER LBS FOR REINFORCEMENT BARS.

CLASS S1 CONCRETE SHALL BE USED THROUGHOUT, WHICH SHALL BE PAID FOR AT THE CONTRACT UNIT PRICE PER CUBIC YARD UNDER ITEM 50300225 - CONCRETE STRUCTURES.

ALL DIMENSIONS ARE IN INCHES UNLESS OTHERWISE NOTED.

REVISED 10-3-11	REGION 2 / DISTRICT 2 STANDARD	A. SITE	SECTION	COUNTY	TOTAL SHEETS	SHEET NO.
REVISED						
REVISED						
REVISED						
SCALE: 1/8" = 1'-0"	SHEET NO. OF SHEETS	STA.	TO STA.	FILED ROAD DIST. NO.	(ILLINOIS) FIELD NO. PROJECT	CONTRACT NO.

DETAIL OF CONCRETE STEPS 71.4

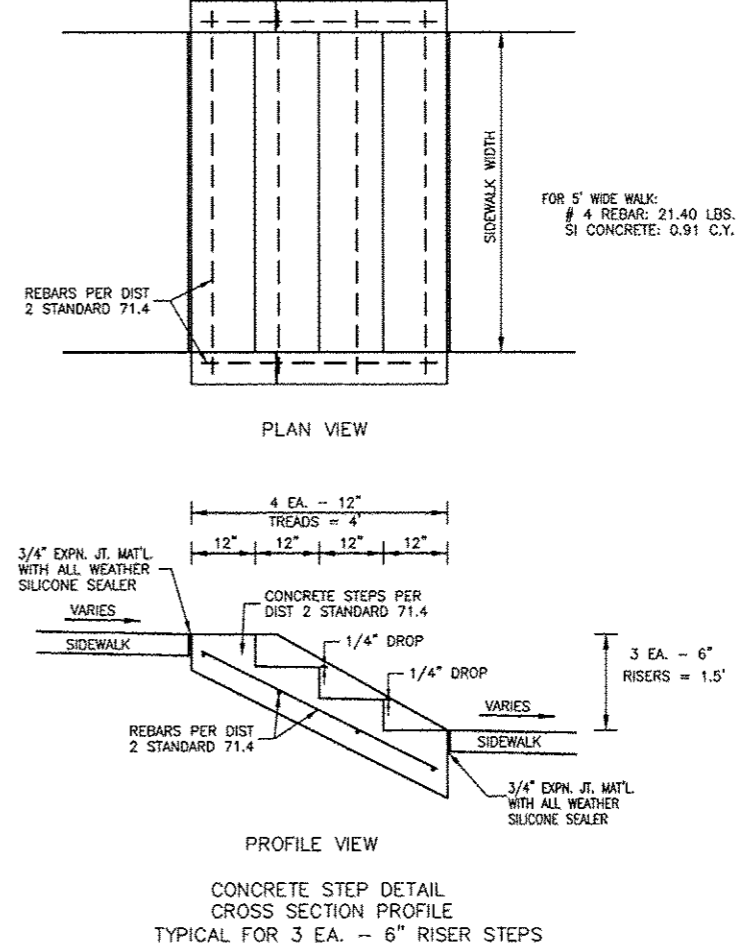
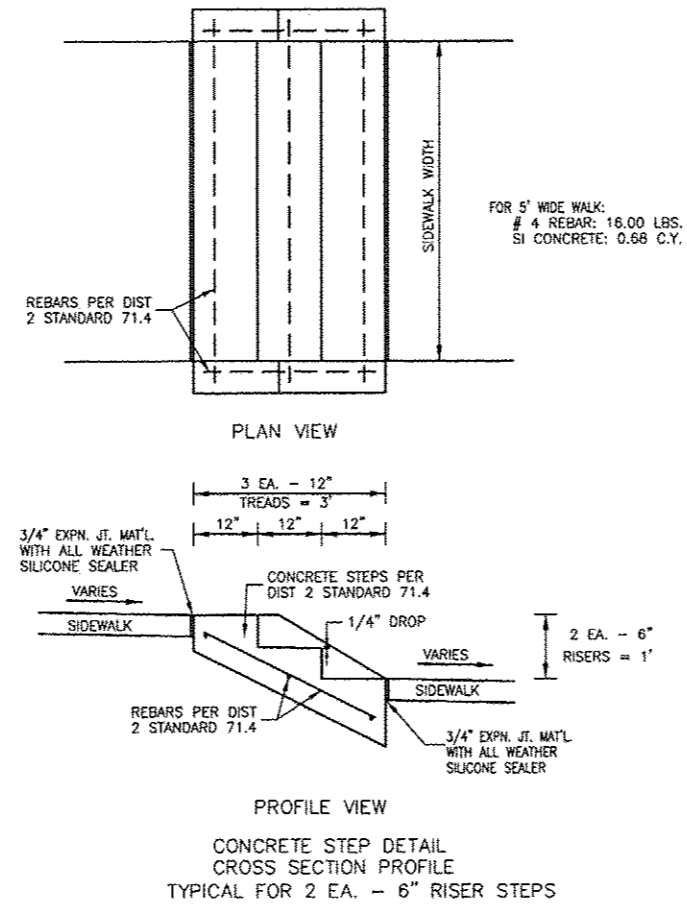
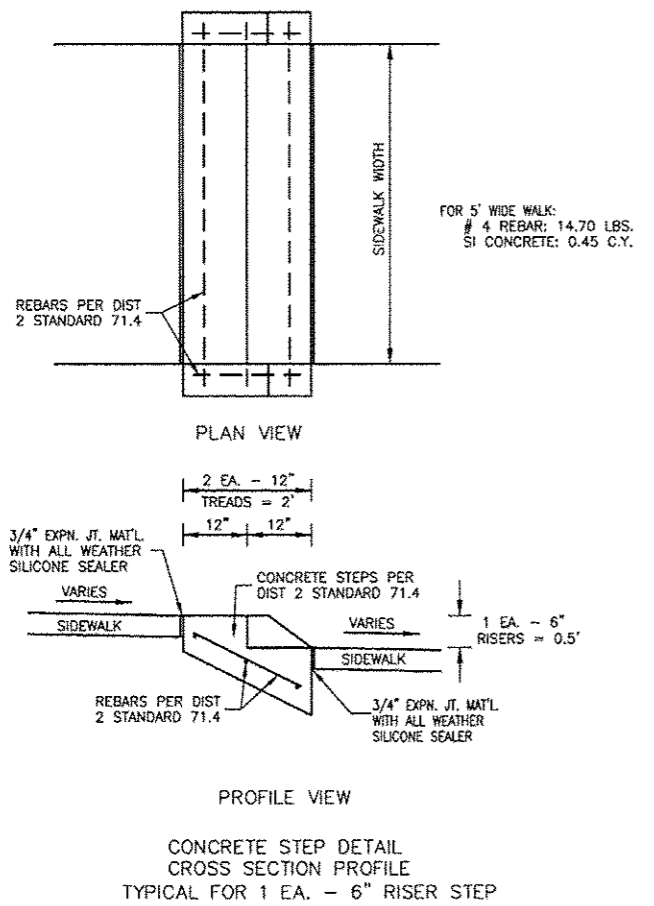
DETAILS OF PLANTING AND BRACING TREES

SMALL TREE SIZE	DIAMETER OF CALIPER AT POINT OF MEASUREMENT	DEPTH OF HOLE EXCAVATION	WIDTH OF HOLE EXCAVATION	THICKNESS OF BRACE COVERS	DEPTH OF BRACE FROM GROUND	VOLUME OF BRACE COVER
1/2" - 1"	18	12	12	2	12	0.54
1 1/2" - 2"	18	12	12	2	12	0.54
2 1/2" - 3"	24	18	18	4	12	0.72
3 1/2" - 4"	24	18	18	4	12	0.72
4 1/2" - 6"	24	18	18	4	12	0.72
6 1/2" - 8"	24	18	18	4	12	0.72
8 1/2" - 10"	24	18	18	4	12	0.72

REVISIONS	DESCRIPTION	DATE
No.		

Missman, Inc.
 Professional Engineers & Land Surveyors

Rock Island, IL • Bettendorf, IA • Rockford, IL • Syracuse, IL
 (562) 788-7644 • (563) 344-0280 • (615) 866-8000 • (615) 885-3825
 www.missman.com



STATE STREET RE-CONSTRUCTION
 GENESE, ILLINOIS

DISTRICT STANDARDS - 6

Missman Project No. A10M008

File Name: A10M008.DISTRICT

© COPYRIGHT 2013 ALL RIGHTS RESERVED

Field Book No: #####

Drawn By: WKS

Checked By: JLM

Date: 11/19/2012

66

Sheet 66 of 99

G:\2010\UNIA10M008-Geneseo- S. State St. SewerWaterDrawings\P101A10M008 DISTRICT STANDARDS.dwg, 3/7/2013 9:51:51 AM, jefim