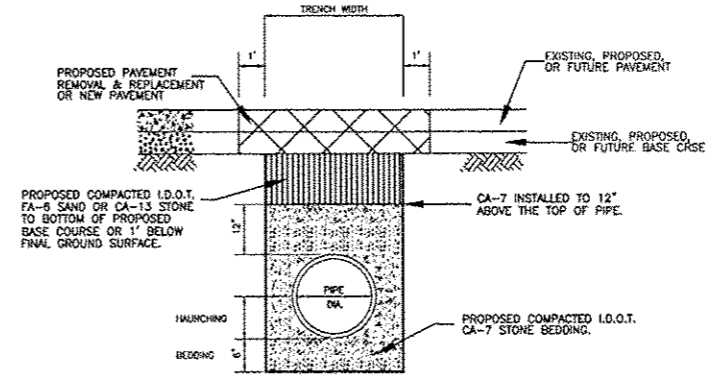


60107600 PIPE
UNDERDRAIN 4" DETAIL

UNDERDRAIN NOTES:

1. COMPACTED POROUS GRANULAR BACKFILL (FA-4) SHALL BE INSTALLED UNDER ALL EXISTING, PROPOSED, OR FUTURE PAVEMENTS, SIDEWALKS, OR ALLEYS.
2. INCLUDE COST FOR COMPACTED POROUS GRANULAR BACKFILL, GEOTECHNICAL FABRIC WRAP, AND UNDERDRAIN PIPE IN THE 60107600 PIPE UNDERDRAIN 4" CONTRACT UNIT PRICE.

PROPOSED TYPICAL SECTION - PIPE TRENCH
(ALL PROPOSED PIPES)

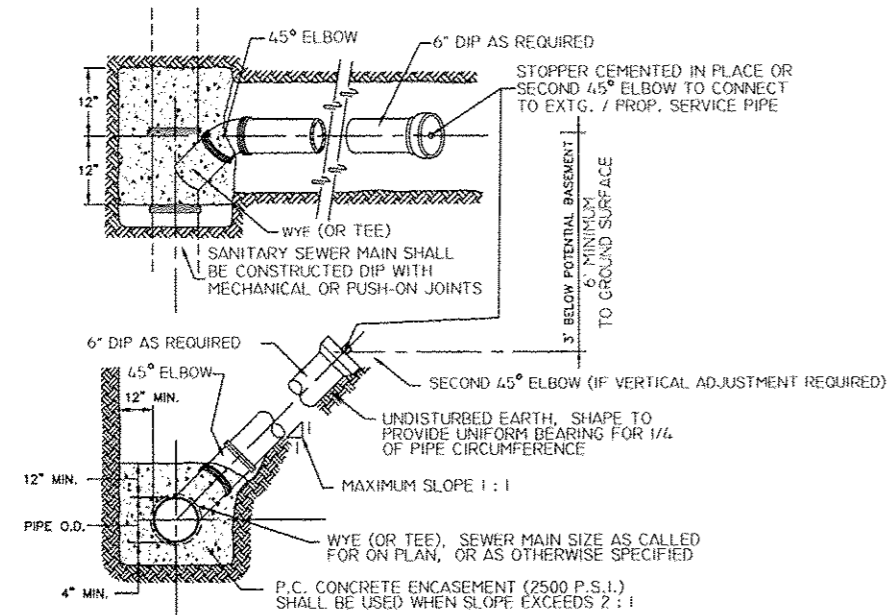


WATER MAIN AND SANITARY SEWER PIPE TRENCH NOTES:

1. TRENCH WIDTH PER "STANDARD SPECIFICATIONS FOR WATER & SEWER MAIN CONSTRUCTION IN ILLINOIS." CONTRACTOR SHALL BE RESPONSIBLE FOR ALL DEWATERING, TO THE SATISFACTION OF THE ENGINEER, TO INSURE PROPER INSTALLATION OF PIPES. NO ADDITIONAL COMPENSATION BEYOND THE CONTRACT UNIT PRICES WILL BE ALLOWED FOR DEWATERING COSTS.
2. COMPACTED TRENCH BACKFILL (INITIAL AND FINAL) SHALL BE INSTALLED UNDER ALL EXISTING, PROPOSED, OR FUTURE PAVEMENTS, SIDEWALKS, OR ALLEYS. INCLUDE COST FOR TRENCH BACKFILL (INITIAL AND FINAL) MATERIALS IN THE PIPE CONTRACT UNIT PRICES.
3. COMPACTED BEDDING AND HAUNCHING MATERIALS SHALL BE REQUIRED AS SHOWN IN DETAIL. INCLUDE COST FOR COMPACTED BEDDING AND HAUNCHING MATERIALS IN THE PIPE CONTRACT UNIT PRICES.

STORM SEWER PIPE TRENCH NOTES:

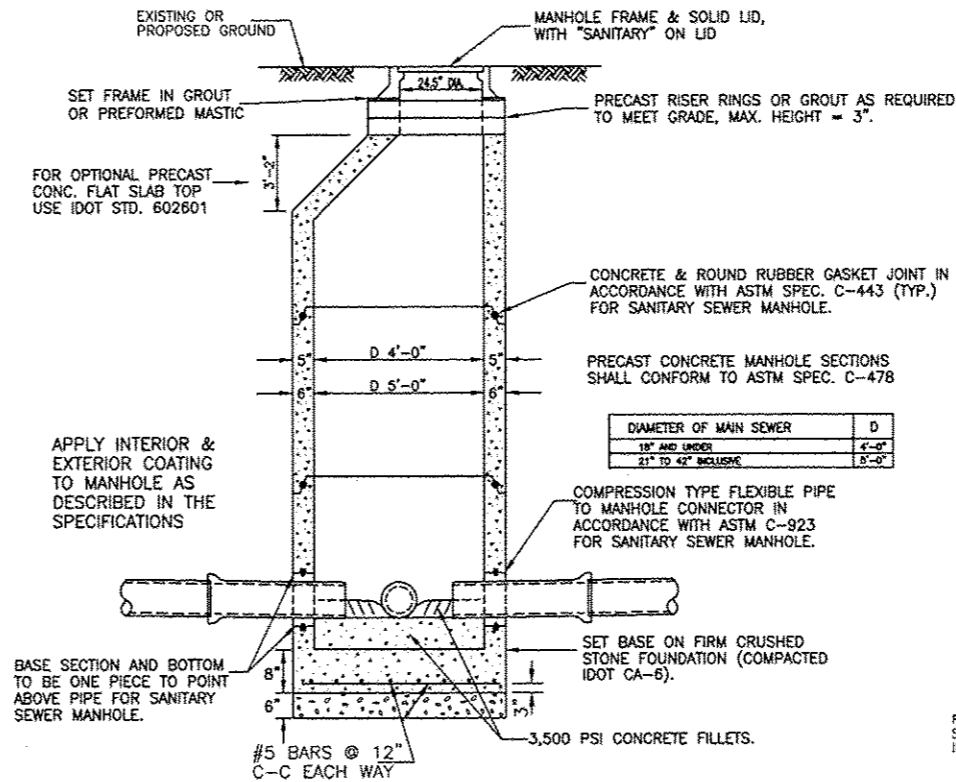
1. TRENCH WIDTH AND PAY VOLUME PER IDOT BUREAU OF CONSTRUCTION "TRENCH BACKFILL TABLE". CONTRACTOR SHALL BE RESPONSIBLE FOR ALL DEWATERING, TO THE SATISFACTION OF THE ENGINEER, TO INSURE PROPER INSTALLATION OF PIPES. NO ADDITIONAL COMPENSATION BEYOND THE CONTRACT UNIT PRICES WILL BE ALLOWED FOR DEWATERING COSTS.
2. COMPACTED TRENCH BACKFILL SHALL BE INSTALLED UNDER ALL EXISTING, PROPOSED, OR FUTURE PAVEMENTS, SIDEWALKS, OR ALLEYS. THE IDOT BUREAU OF CONSTRUCTION "TRENCH BACKFILL TABLE" WILL BE USED TO DETERMINE THE VOLUME OF TRENCH BACKFILL TO BE PAID FOR UNDER ITEM 20800150 TRENCH BACKFILL. BACKFILLING OF WATER AND SANITARY PIPES SHALL NOT BE INCLUDED IN ITEM 20800150 TRENCH BACKFILL.
3. COMPACTED BEDDING AND HAUNCHING MATERIALS SHALL BE REQUIRED AS SHOWN IN DETAIL. INCLUDE COST FOR COMPACTED BEDDING AND HAUNCHING MATERIALS IN THE STORM PIPE CONTRACT UNIT PRICES PER IDOT "TRENCH BACKFILL TABLE".



NOTE:
RISERS TO BE CONSTRUCTED WHERE SEWER DEPTH EXCEEDS 6' BELOW POTENTIAL BASEMENT.
ALL SANITARY SERVICE SEWER IN R.O.W. SHALL BE 6" DIP.

SIZE	PRESSURE CLASS
6", 10" & 12"	350
16"	250
30"	150

TYPICAL
SANITARY SERVICE CONNECTION
AND SANITARY SEWER MAIN



PROPOSED SANITARY MANHOLE 4' OR 5'
MANHOLES, TYPE A, 4' OR 5' -DIAMETER, TYPE 1 FRAME, CLOSED LID, SPECIAL (SANITARY)
(MANHOLES FOR SANITARY SEWERS)
NO SCALE

FURNISHING AND INSTALLING CRUSHED STONE FOUNDATION, FRAME, AND LID TO BE INCLUDED IN THE CONTRACT UNIT PRICE.

REVISIONS	DESCRIPTION	DATE
No.		

Missman, inc.
Professional Engineers & Land Surveyors
Rock Island, IL • Bettendorf, IA • Sycamore, IL
(309) 788-7644 • (563) 344-0260 • (615) 965-9400 • (615) 695-3825
www.missman.com

STATE STREET RE-CONSTRUCTION
GENESECO, ILLINOIS
DISTRICT STANDARDS - 7

Missman Project No: A10M008
File Name: A10M008.DISTRICT STANDARDS-7
© COPYRIGHT 2013 ALL RIGHTS RESERVED
Field Book No: #####
Drawn By: WKS
Checked By: JLM
Date: 11/19/2012