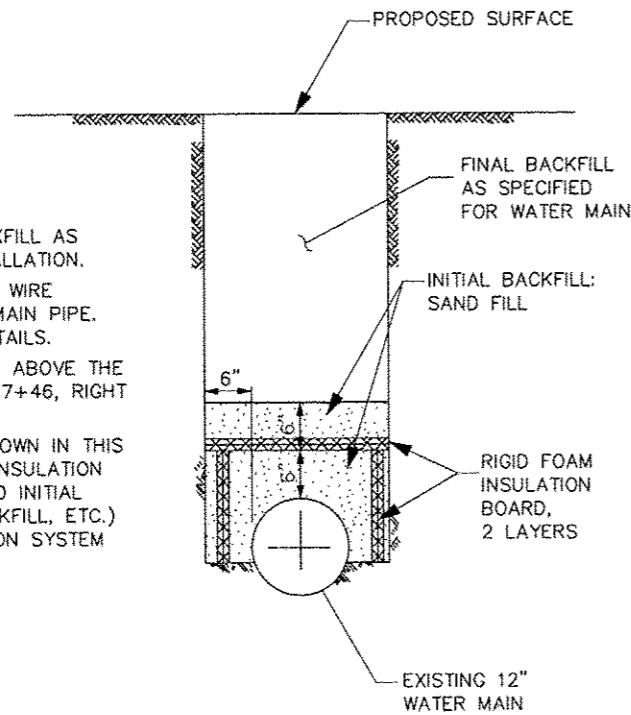


NOTES:

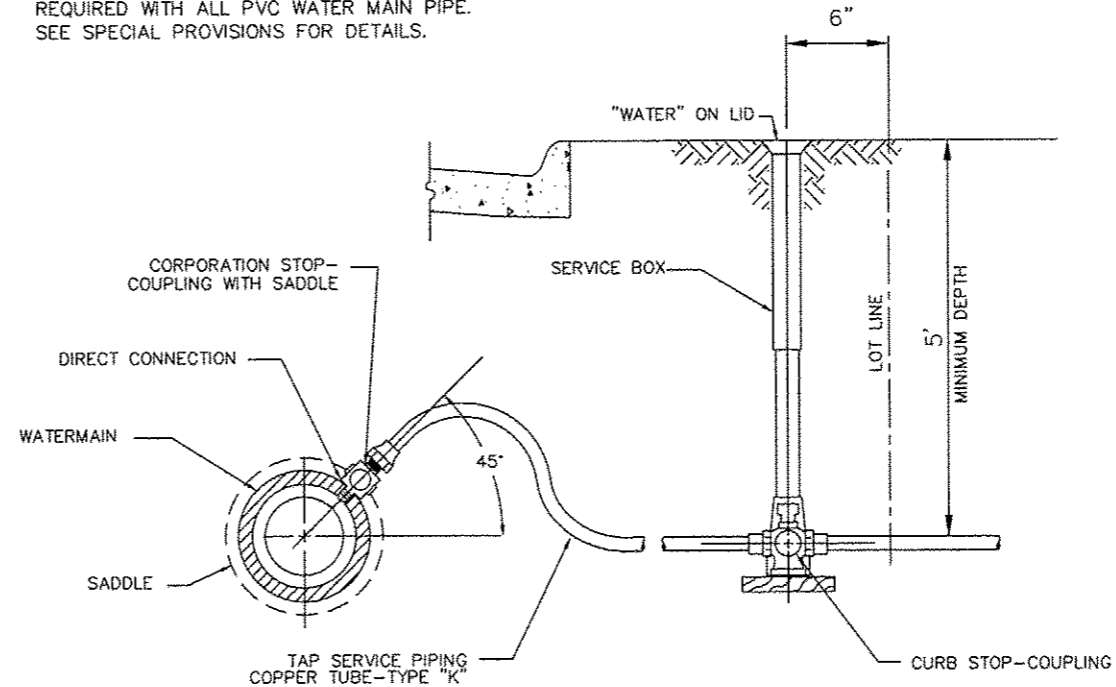
1. COMPACT INITIAL AND FINAL BACKFILL AS SPECIFIED FOR WATER MAIN INSTALLATION.
2. AWG 12 GAUGE METALLIC TRACER WIRE REQUIRED WITH ALL PVC WATER MAIN PIPE. SEE SPECIAL PROVISIONS FOR DETAILS.
3. INSTALL INSULATION AROUND AND ABOVE THE EXISTING 12" WATER MAIN, STA. 17+46, RIGHT 42' TO STA. 19+50, LEFT 14'.
4. INCLUDE COST FOR ALL WORK SHOWN IN THIS DETAIL (INCLUDING EXCAVATION, INSULATION BOARD, TRACER WIRE, COMPACTED INITIAL BACKFILL, COMPACTED FINAL BACKFILL, ETC.) IN THE X561009 PIPE INSTALLATION SYSTEM CONTRACT UNIT PRICE.



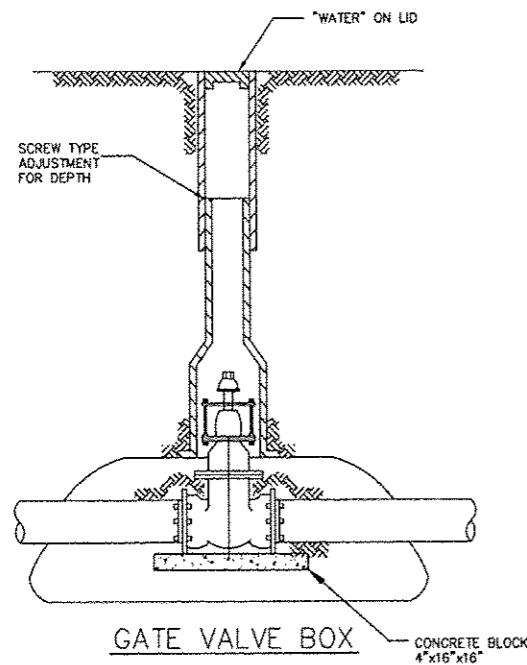
X561009 PIPE INSULATION SYSTEM DETAIL

NOTE:

AWG 12 GAUGE METALLIC TRACER WIRE REQUIRED WITH ALL PVC WATER MAIN PIPE. SEE SPECIAL PROVISIONS FOR DETAILS.

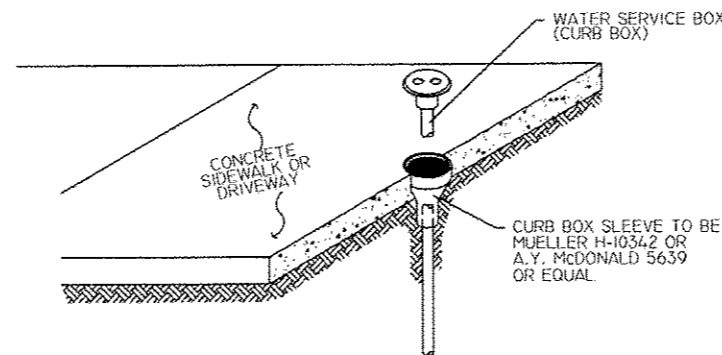


STANDARD WATERMAIN TAP SERVICE PIPING (COPPER)

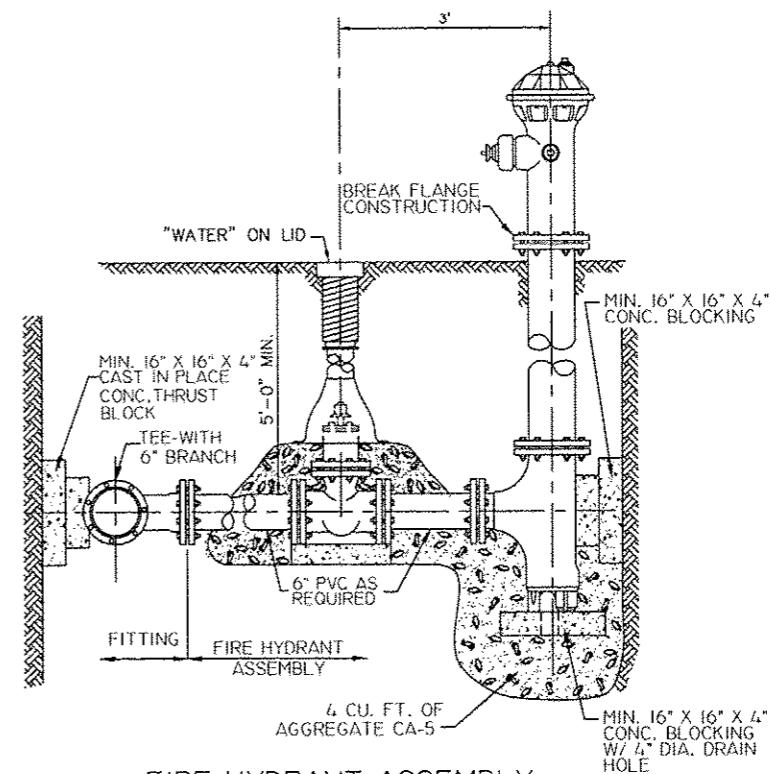


NOTE:

AWG 12 GAUGE METALLIC TRACER WIRE REQUIRED WITH ALL PVC WATER MAIN PIPE. SEE SPECIAL PROVISIONS FOR DETAILS.



SERVICE BOX DETAIL



FIRE HYDRANT ASSEMBLY WITH AUXILIARY VALVE

NOTE:

AWG 12 GAUGE METALLIC TRACER WIRE REQUIRED WITH ALL PVC WATER MAIN PIPE. SEE SPECIAL PROVISIONS FOR DETAILS.

REVISIONS	DESCRIPTION	DATE
No.		

Missman, Inc.
Professional Engineers & Land Surveyors

Rockford, IL • Sycamore, IL
Bettendorf, IA • (815) 346-0060 • (815) 886-3825
Rock Island, IL • (309) 782-2844 • (309) 344-0060
www.missman.com

STATE STREET RE-CONSTRUCTION
GENESECO, ILLINOIS
DISTRICT STANDARDS - 8

Missman Project No:
A10M008
File Name:
A10M008.DISTRICT
STANDARDS
© COPYRIGHT 2013
ALL RIGHTS RESERVED
Field Book No: ###
Drawn By: WKS
Checked By: JLM
Date: 11/19/2012