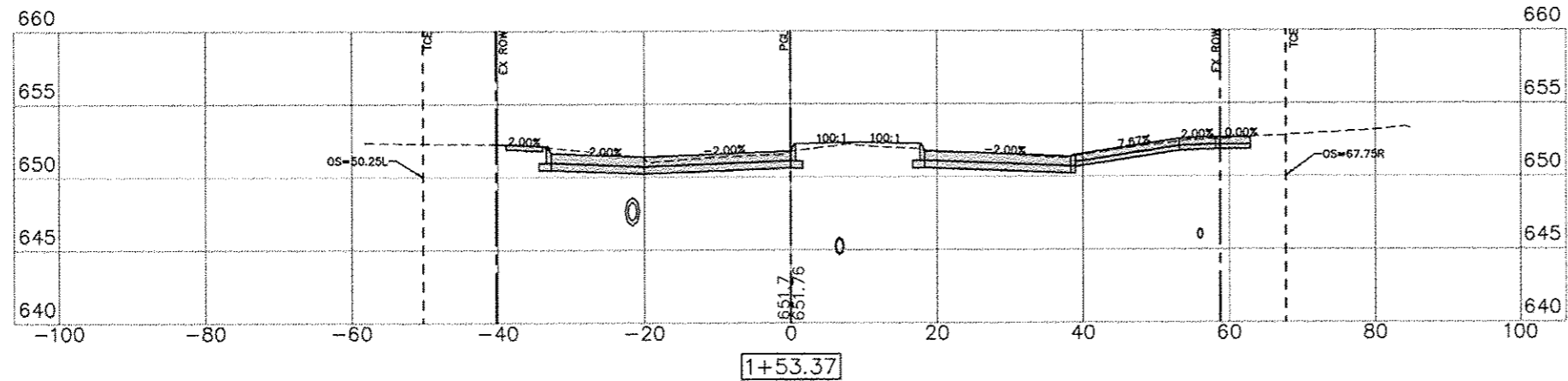


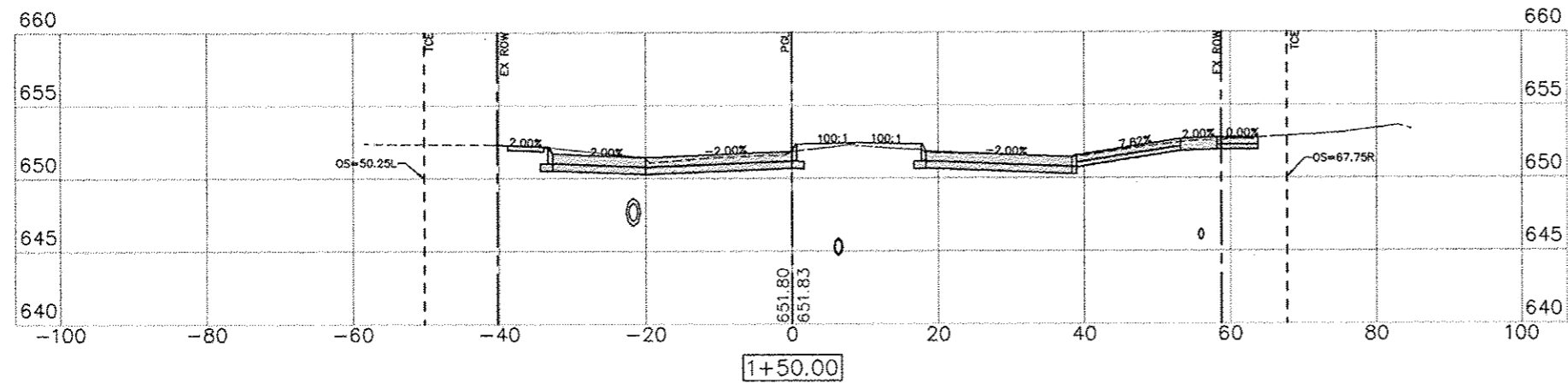
G:\2010\UNA\10M008-Geneseo - S State St. SewerWaterDrawings\Plot\A10M008 X SECTIONS.dwg, 3/7/2013 9:53:46 AM, jefim



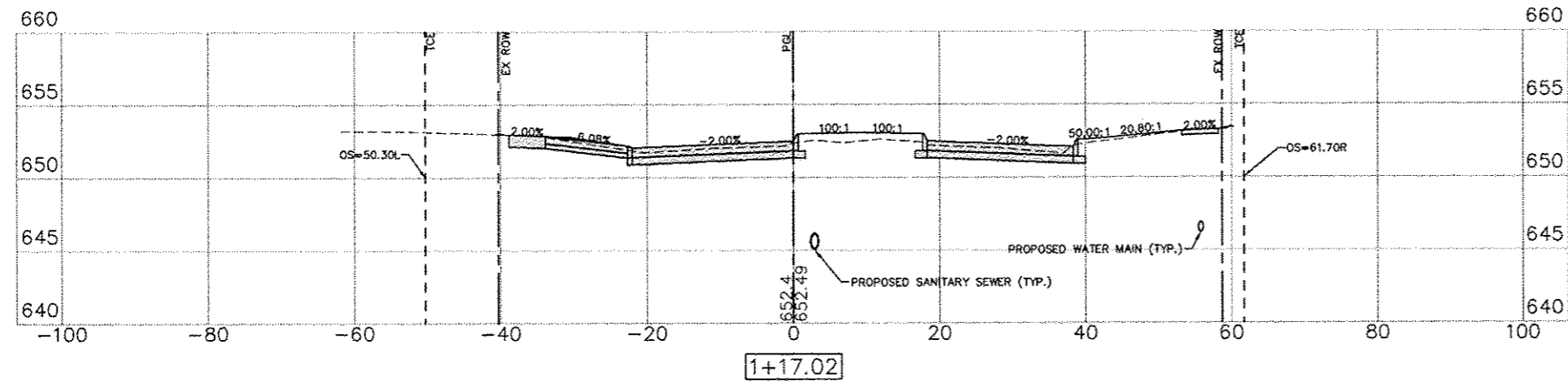
C= 24.29 F= 25.65

SCALE:
1" = 10' H
1" = 5' V

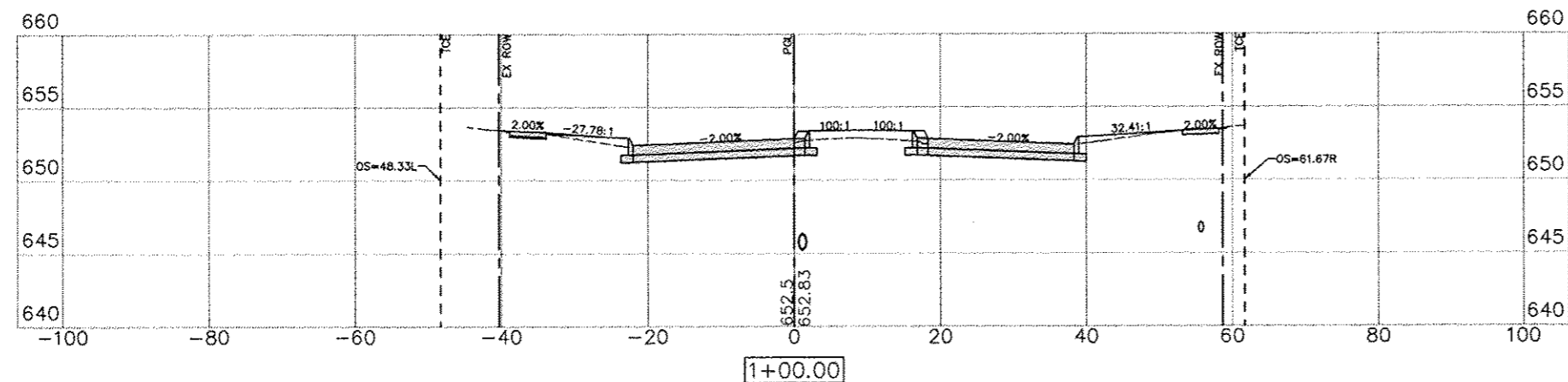
LEGEND:
PSL = PROFILE GRADE LINE (CONTROL LINE)
TCE = TEMPORARY CONSTRUCTION EASEMENT
EX ROW = EXISTING RIGHT OF WAY



C= 27.96 F= 7.91



C= 9.76 F= 39.78



C= 15.42 F= 19.78

No.	REVISIONS DESCRIPTION	DATE



STATE STREET RE-CONSTRUCTION
GENESEO, ILLINOIS
CROSS SECTIONS - 2

Missman Project No:
A10M008
File Name:
A10M008 X SECTIONS.dwg
© COPYRIGHT 2013
ALL RIGHTS RESERVED
Field Book No: ###
Drawn By: WKS
Checked By: JLM
Date: 11/19/2012

70

Sheet 70 of 99