

G:\2010\UNNA10M008-Geneseo-S.State St. Sewer\Water\Drawings\Plot\A10M008 X SECTIONS.dwg, 3/7/2013 11:47:32 AM, jefm

SCALE:
1" = 10' H
1" = 5' V

LEGEND:
PGL = PROFILE GRADE LINE (CONTROL LINE)
TCE = TEMPORARY CONSTRUCTION EASEMENT
EX ROW = EXISTING RIGHT OF WAY

REVISIONS	
No.	DESCRIPTION

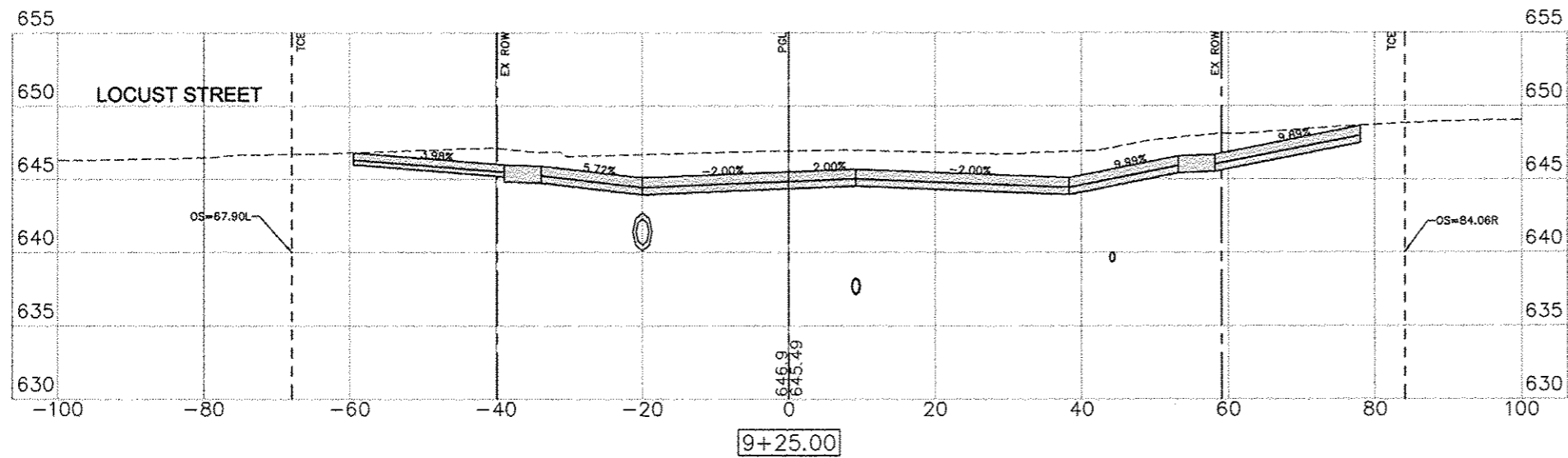
Missman, inc.
Professional Engineers & Land Surveyors

Rock Island, IL • Bettendorf, IA • (563) 344-0260 • (563) 785-7844 • www.missman.com

Rockford, IL • Sycamore, IL • (815) 965-6400 • (815) 885-3825

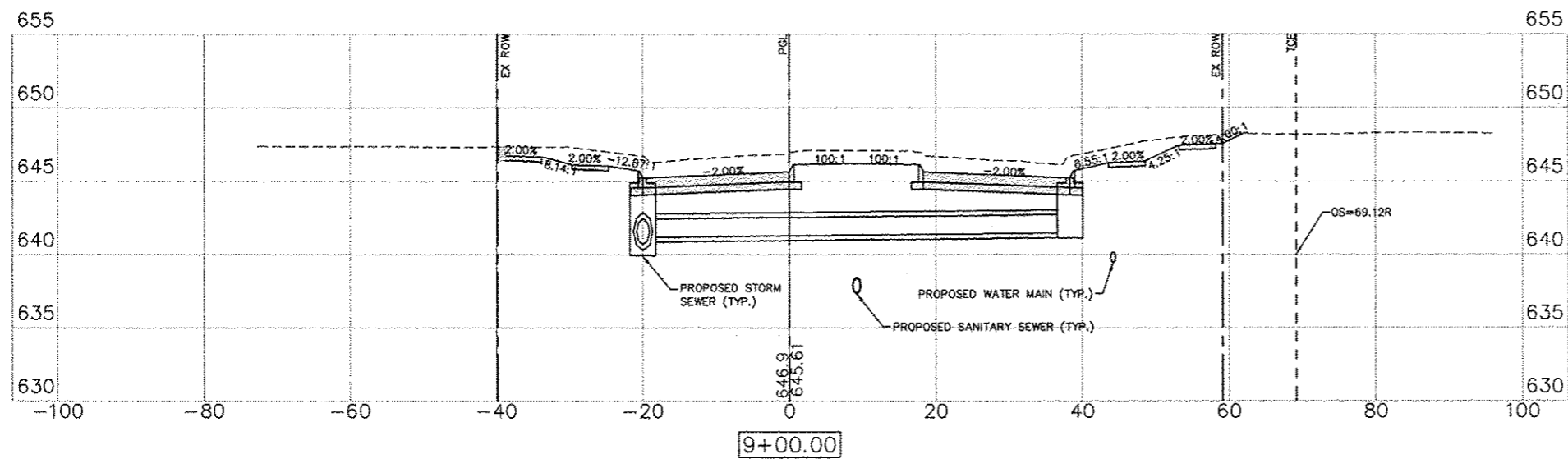
STATE STREET RE-CONSTRUCTION
GENESEO, ILLINOIS
CROSS SECTIONS - 11

Missman Project No: A10M008
File Name: A10M008 X SECTIONS.dwg
© COPYRIGHT 2013 ALL RIGHTS RESERVED
Field Book No: #####
Drawn By: WKS
Checked By: JLM
Date: 11/19/2012
79
Sheet 79 of 99

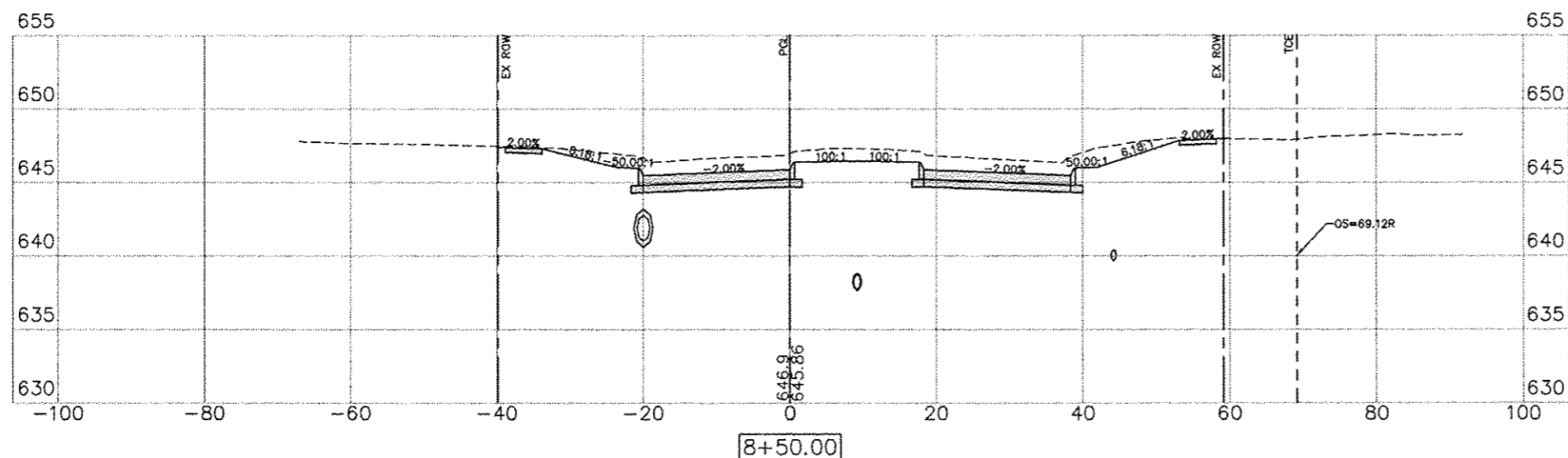


ALLEY STREET

C= 147.37 F= 0.55



C= 99.80 F= 1.04



C= 79.92 F= 3.26