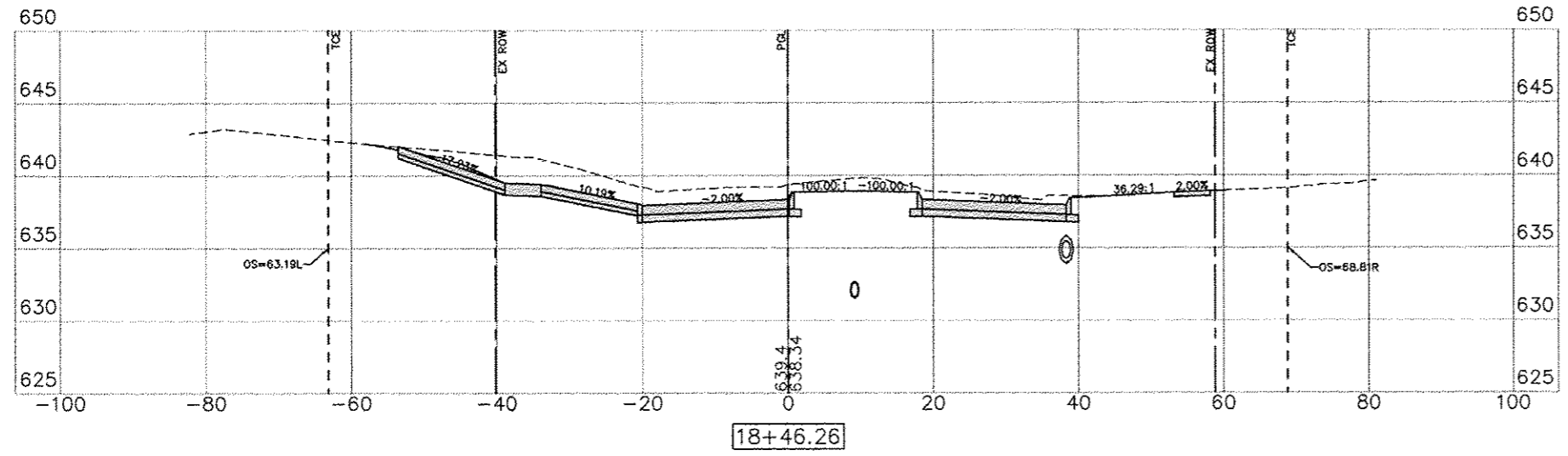
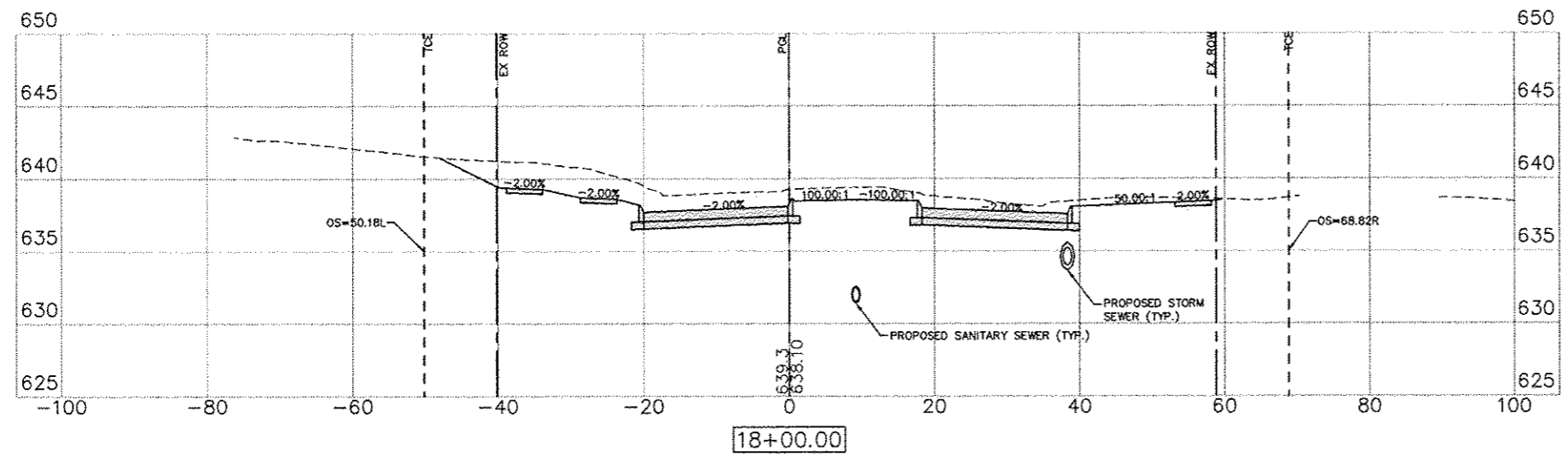


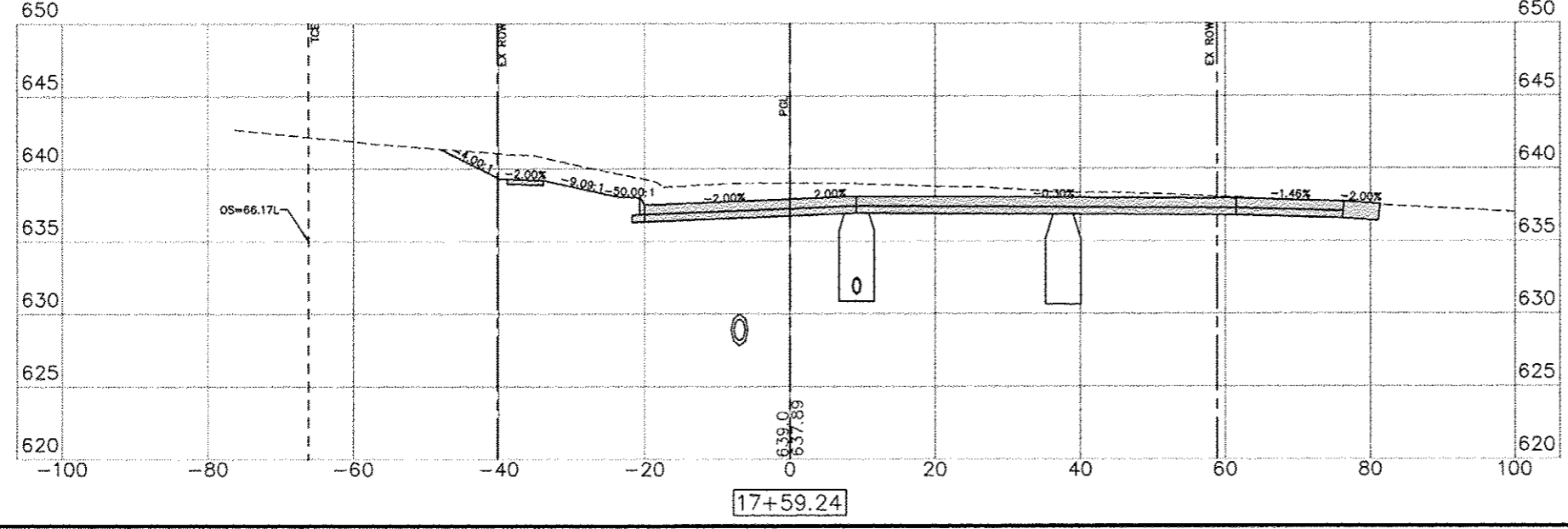
G:\2010\MUNA10M008-Geneseo-S State St. Sewer\WaterDrawings\Plot\A10M008 X SECTIONS.dwg, 3/7/2013 10:06:53 AM, jefim



C= 82.23 F= 0.41



C= 88.10 F= 0.61



C= 135.54 F= 12.16
FRANK STREET

SCALE:
1" = 10' H
1" = 5' V

LEGEND:
PGL = PROFILE GRADE LINE (CONTROL LINE)
TCE = TEMPORARY CONSTRUCTION EASEMENT
EX ROW = EXISTING RIGHT OF WAY

NO.	REVISIONS DESCRIPTION	DATE

Missman, Inc.
Professional Engineers & Land Surveyors

Rock Island, IL • Bettendorf, IA • Rockford, IL • Sycamore, IL
(309) 788-7844 • (563) 344-0280 • (815) 965-6400 • (815) 885-3825
www.missman.com

STATE STREET RE-CONSTRUCTION
GENESEO, ILLINOIS
CROSS SECTIONS - 24

Missman Project No: A10M008
File Name: A10M008 X SECTIONS.dwg
© COPYRIGHT 2013 ALL RIGHTS RESERVED
Field Book No: ###
Drawn By: WKS
Checked By: JLM
Date: 11/19/2012