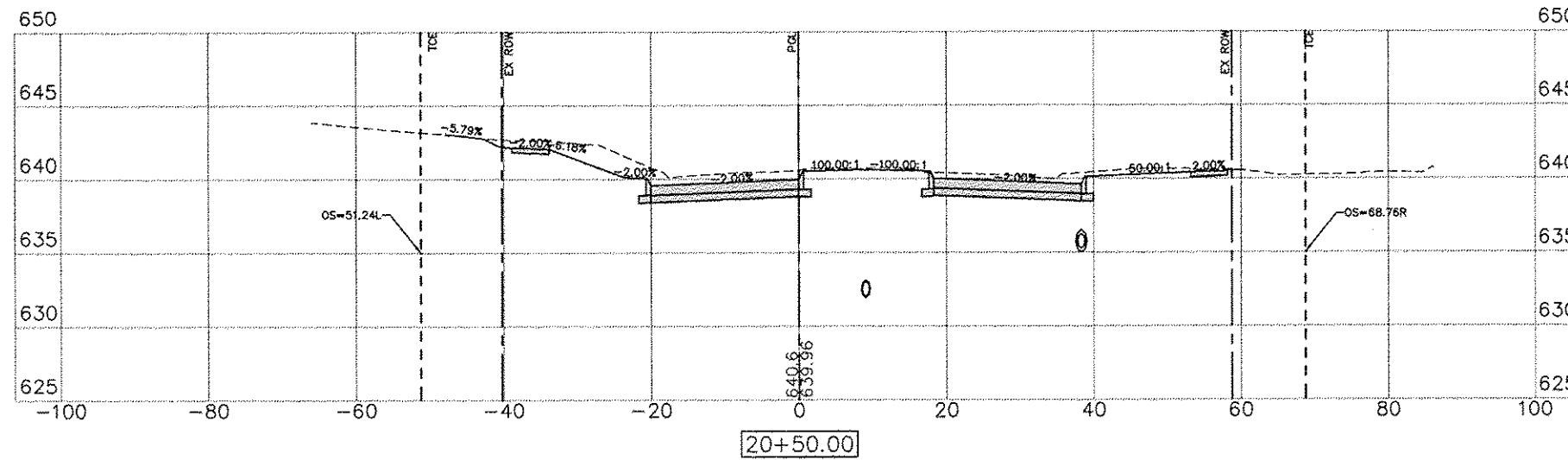


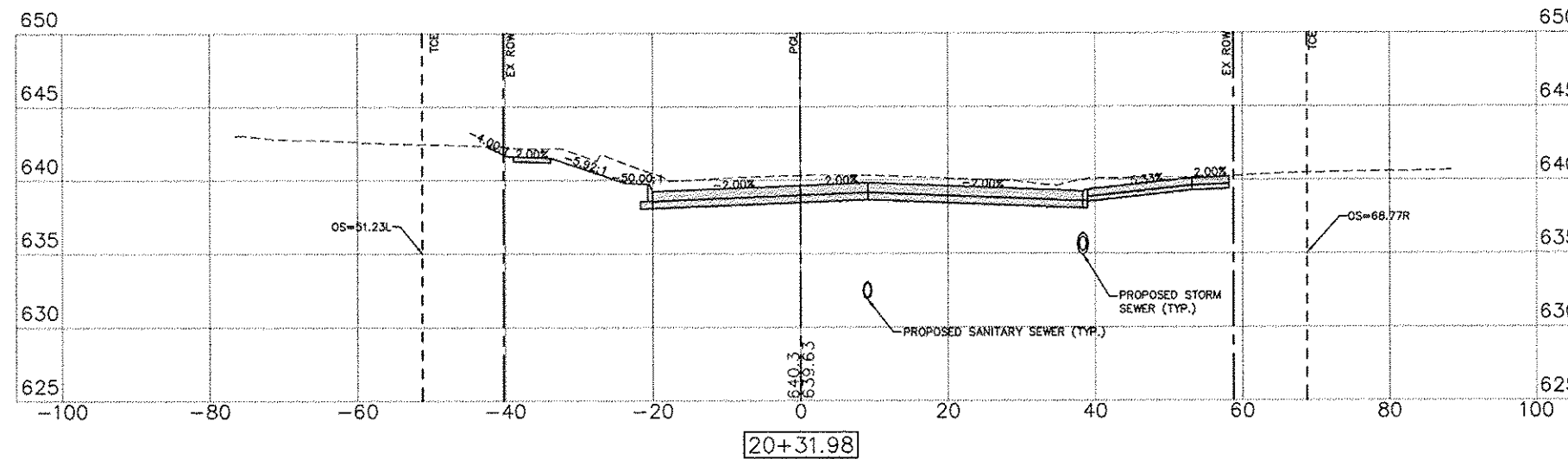
G:\2010\UNNA10M008-Geneseo- S.State St. Sewer\Water\Drawings\PIctA\10M008 X SECTIONS.dwg, 3/7/2013 10:08:13 AM, jefim

SCALE:  
1" = 10' H  
1" = 5' V

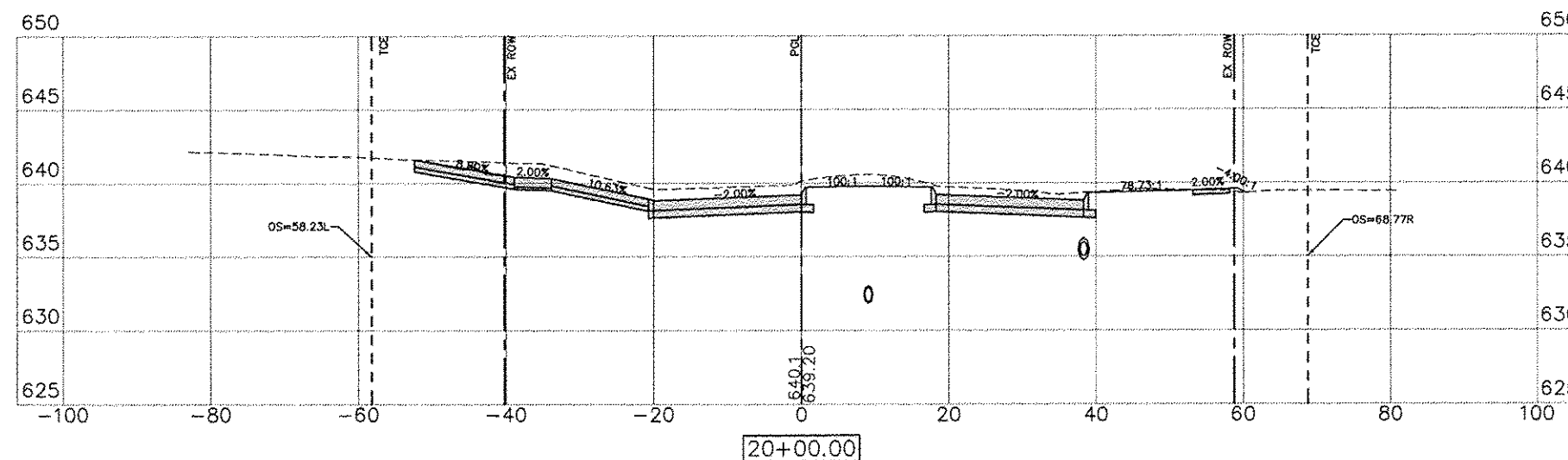
LEGEND:  
PGL = PROFILE GRADE LINE (CONTROL LINE)  
TCE = TEMPORARY CONSTRUCTION EASEMENT  
EX ROW = EXISTING RIGHT OF WAY



C= 51.70 F= 13.88



C= 68.17 F= 5.26



C= 63.49 F= 4.46

REVISIONS	DESCRIPTION	DATE
No.		



STATE STREET RE-CONSTRUCTION  
GENESEO, ILLINOIS  
CROSS SECTIONS - 26

Missman Project No:  
A10M008  
File Name:  
A10M008 X SECTIONS.dwg  
© COPYRIGHT 2013  
ALL RIGHTS RESERVED  
Field Book No: ###  
Drawn By: WKS  
Checked By: JLM  
Date: 11/19/2012

94

Sheet 94 of 99