

**THOUVENOT,
WADE &
MOERCHEN, INC.**
ENGINEERS • SURVEYORS • PLANNERS



- CORPORATE OFFICE**
4940 OLD COLLINSVILLE RD.
SWANSEA, ILLINOIS 62226
TEL (618) 624-4488
FAX (618) 624-6688
corp@twm-inc.com
- WATERLOO OFFICE**
113 SOUTH MAIN STREET
WATERLOO, ILLINOIS 62298
TEL (618) 939-5050
FAX (618) 939-3938
waterloo@twm-inc.com
- EDWARDSVILLE OFFICE**
10158 CENTURY DRIVE
EDWARDSVILLE, ILLINOIS 62025
TEL (618) 656-4040
FAX (618) 656-4343
edwardsville@twm-inc.com
- ST. CHARLES OFFICE**
400 N. 5TH STREET, SUITE 101
ST. CHARLES, MISSOURI 63301
TEL (636) 724-8300
FAX (636) 724-8304
stlouis@twm-inc.com

PROFESSIONAL REGISTRATIONS	LICENSE NO.
ILLINOIS PROFESSIONAL DESIGN FIRM	181-001220
PROFESSIONAL ENGINEERING CORP.	62-035370
PROFESSIONAL STRUCTURAL ENGR. CORP.	61-005202
ILLINOIS PROF. LAND SURVEYING CORP.	048-000029
MISSOURI PROFESSIONAL ENGR. CORP.	MC 001538
MISSOURI LAND SURVEYING CORP.	MC 000348

SEAL

Signature: _____
Signature Date: _____
Expiration Date: _____

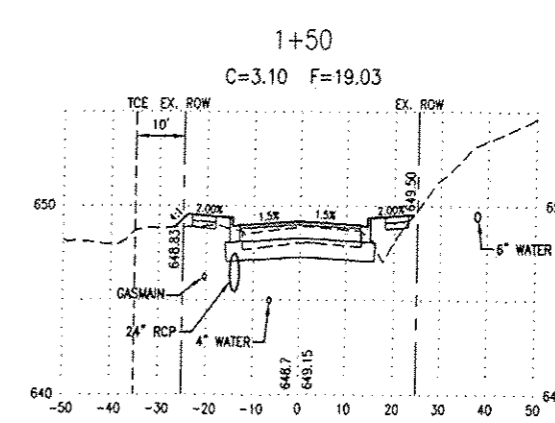
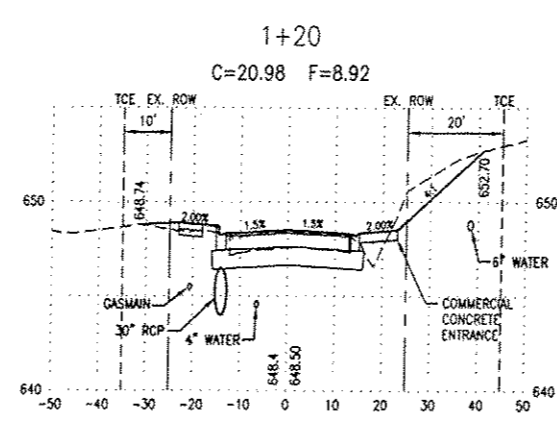
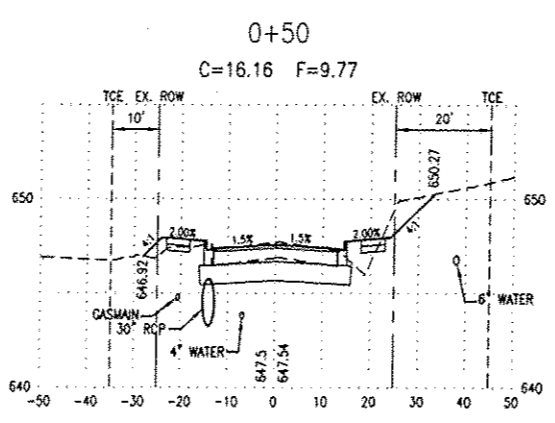
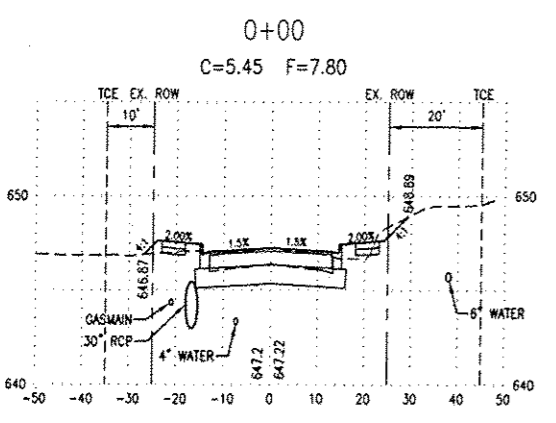
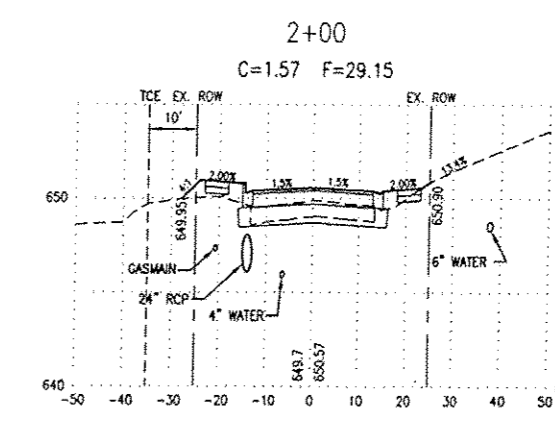
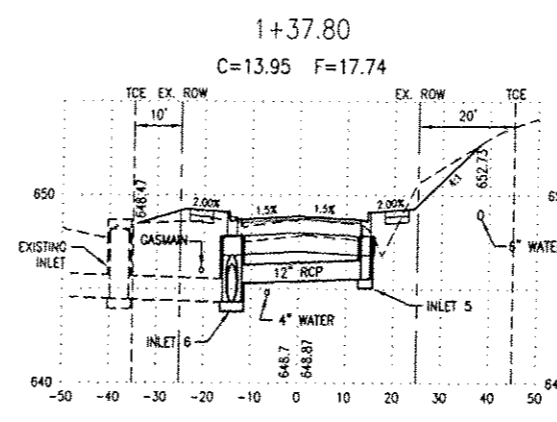
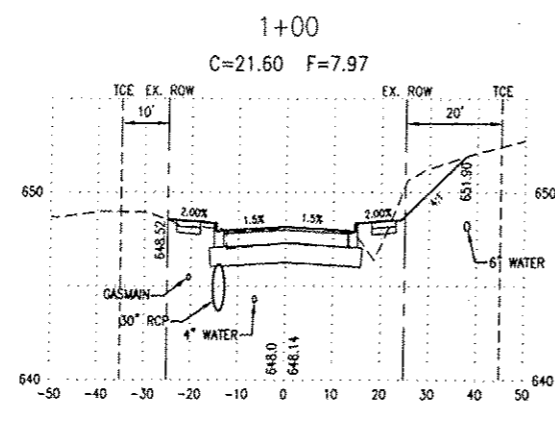
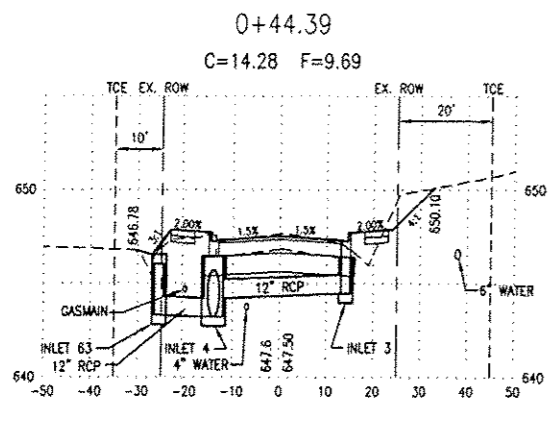
STATEMENT OF RESPONSIBILITY
I hereby confirm that the document herein to be authenticated by my seal is restricted to this sheet, and I hereby disclaim any responsibility for all other drawings, specifications, estimates, reports or other documents or instruments relating to or intended to be used for any other part of the architectural, engineering or survey project.

TITLE
SHILOH STATION ROAD
CROSS SECTIONS
10-00011-01-PV AND 11-00011-02-PV

PROJECT:
SHILOH STATION ROAD
RECONSTRUCTION - PHASE 1 AND 2
VILLAGE OF SHILOH
ST. CLAIR COUNTY, ILLINOIS

REV	DATE	DESCRIPTION

DRAWN BY: NTS	SHEET
DESIGNED BY: NTS	19
CHECKED BY:	OF 24 SHEETS
APPROVED BY:	PROJECT DESCRIPTION
PROJECT NUMBER: T01100602	
<input type="checkbox"/> ISSUED FOR REVIEW	<input checked="" type="checkbox"/> ISSUED FOR BIDDING
<input type="checkbox"/> ISSUED FOR CONSTR.	<input type="checkbox"/> RECORD DRAWING



SCALE
1:4 VERTICAL
1:20 HORIZONTAL

NOTES:
1. ALL STORM SEWER SHOWN IS PROPOSED
2. ALL OTHER UTILITIES SHOWN ARE EXISTING