

THOUVENOT, WADE & MOERCHEN, INC.
 ENGINEERS • SURVEYORS • PLANNERS

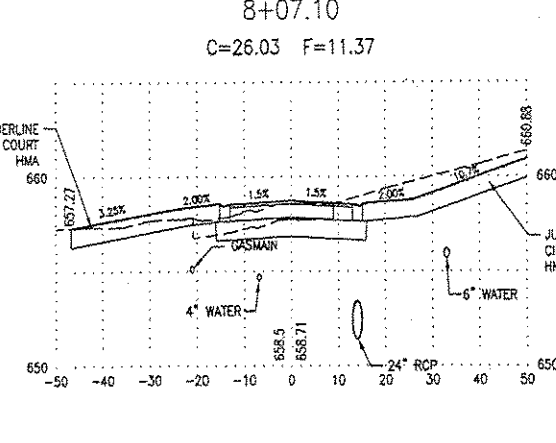
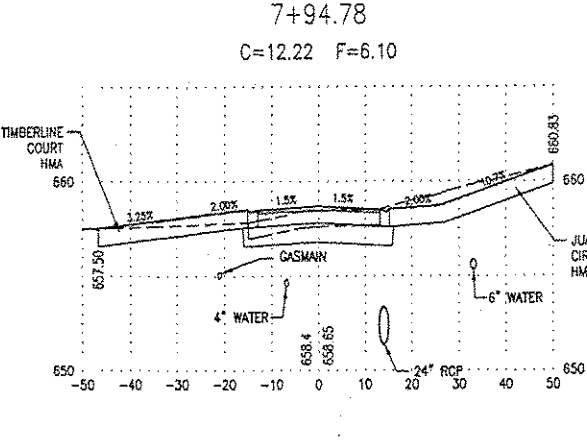
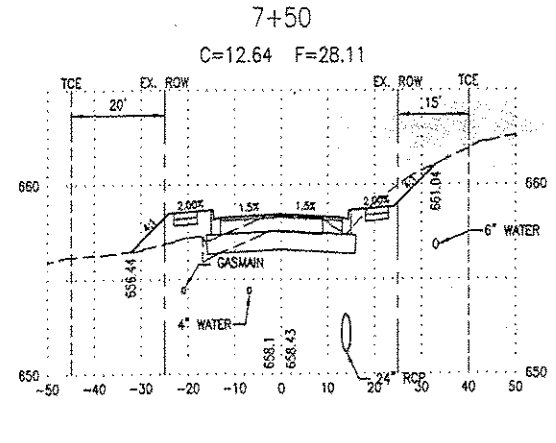
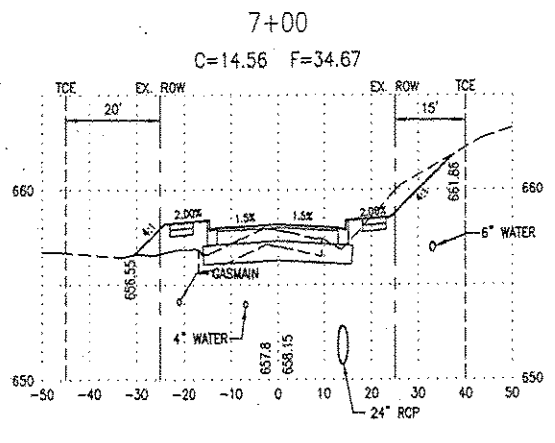
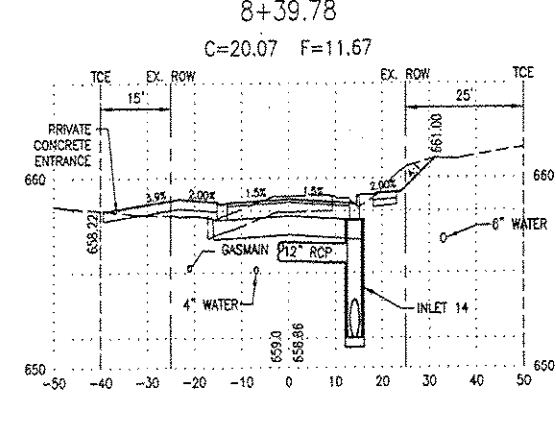
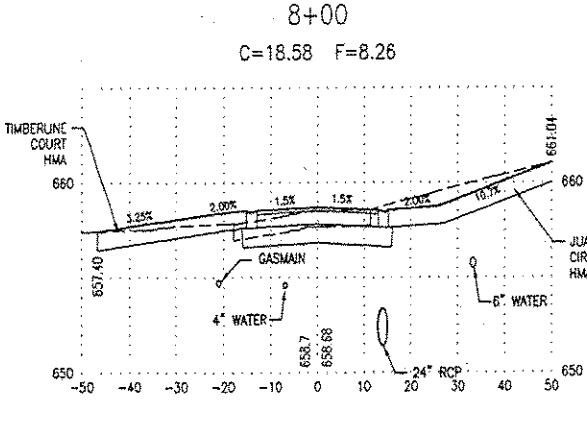
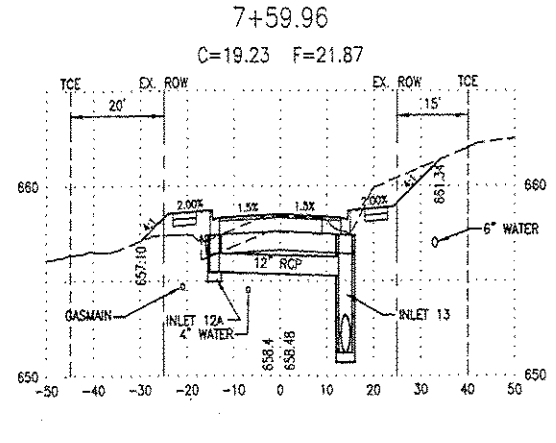
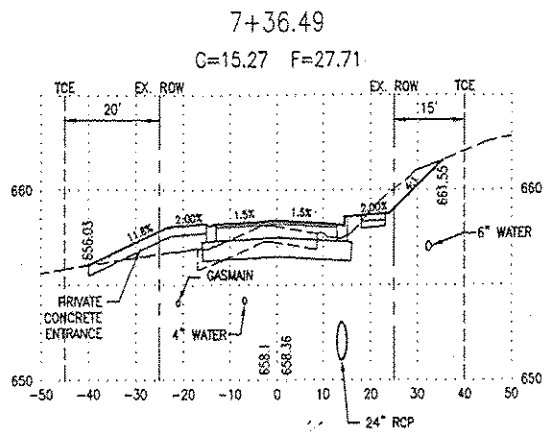


- CORPORATE OFFICE**
 4940 OLD COLLINSVILLE RD.
 SWANSEA, ILLINOIS 62226
 TEL (618) 624-4488
 FAX (618) 624-6580
 corp@twm-inc.com
- WATERLOO OFFICE**
 113 SOUTH MAIN STREET
 WATERLOO, ILLINOIS 62288
 TEL (618) 939-5050
 FAX (618) 939-3938
 waterloo@twm-inc.com
- EDWARDSVILLE OFFICE**
 1015B CENTURY DRIVE
 EDWARDSVILLE, ILLINOIS 62025
 TEL (618) 656-4040
 FAX (618) 656-4343
 edwardsville@twm-inc.com
- ST. CHARLES OFFICE**
 400 N. 5TH STREET, SUITE 101
 ST. CHARLES, MISSOURI 63301
 TEL (636) 724-8300
 FAX (636) 724-8304
 stlouis@twm-inc.com

ILLINOIS PROFESSIONAL DESIGN FIRM	184-001220
PROFESSIONAL ENGINEERING CORP.	62-035370
PROFESSIONAL STRUCTURAL ENGR. CORP.	81-006202
ILLINOIS PROF. LAND SURVEYING CORP.	048-000029
MISSOURI PROFESSIONAL ENGR. CORP.	HC 001528
MISSOURI LAND SURVEYING CORP.	HC 000246

Signature: _____
 Signature Date: _____
 Expiration Date: _____

STATEMENT OF RESPONSIBILITY
 I hereby confirm that the document herein to be authorized by my seal is restricted to this sheet, and I hereby disclaim any responsibility for all other drawings, specifications, estimates, reports or other documents or instruments relating to or intended to be utilized for any other part of the architectural, engineering or survey project.



SCALE
 1:4 VERTICAL
 1:20 HORIZONTAL

NOTES:
 1. ALL STORM SEWER SHOWN IS PROPOSED
 2. ALL OTHER UTILITIES SHOWN ARE EXISTING

TITLE: SHILOH STATION ROAD CROSS SECTIONS 10-00011-01-PV AND 11-00011-02-PV
 PROJECT: SHILOH STATION ROAD RECONSTRUCTION - PHASE 1 AND 2 VILLAGE OF SHILOH ST. CLAIR COUNTY, ILLINOIS

REV	DATE	DESCRIPTION
△		
△		
△		

DRAWN BY: _____	NTS	SHEET
DESIGNED BY: _____	NTS	23
CHECKED BY: _____		OF 24 SHEETS
APPROVED BY: _____		PROJECT DESCRIPTION
PROJECT NUMBER: T01100602		
<input type="checkbox"/> ISSUED FOR REVIEW	<input checked="" type="checkbox"/> ISSUED FOR BIDDING	
<input type="checkbox"/> ISSUED FOR CONSTR.	<input type="checkbox"/> RECORD DRAWING	