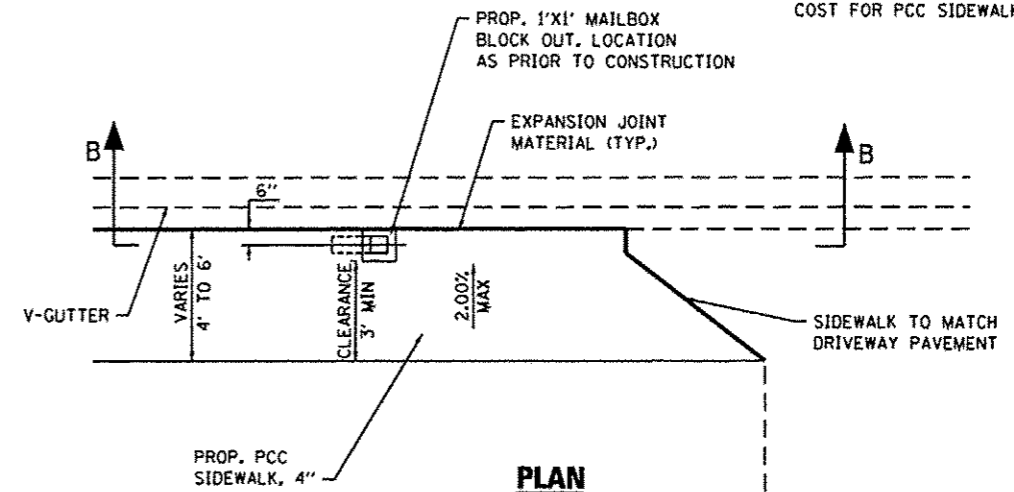
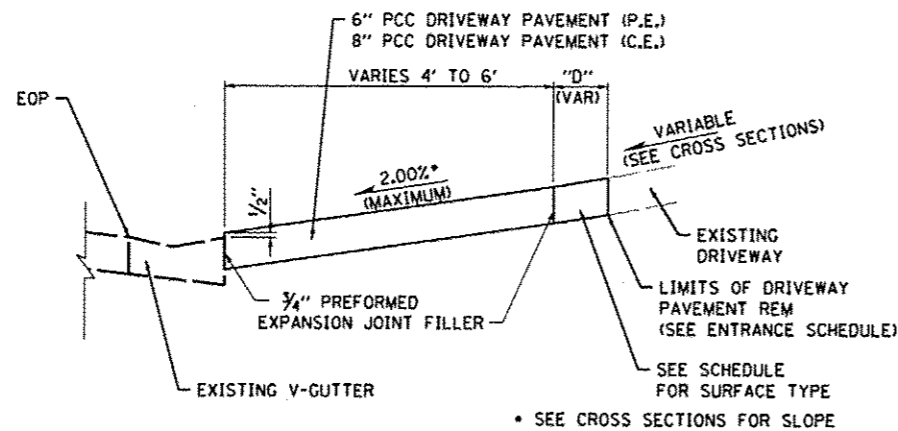


**PLAN**  
(NOT TO SCALE)



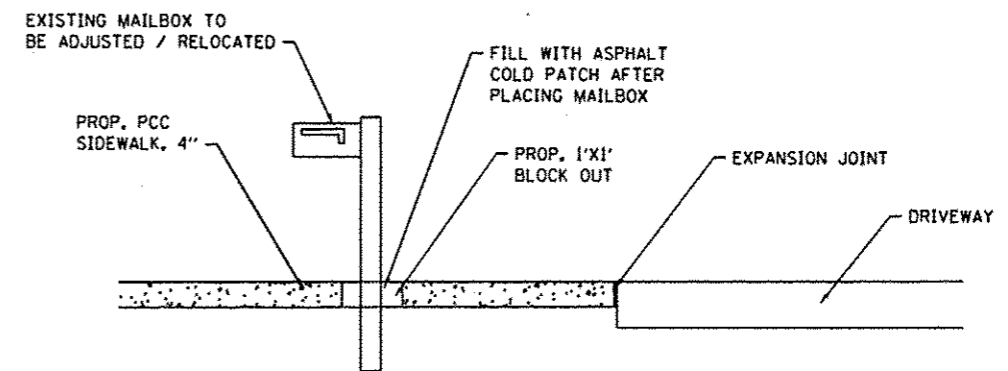
**PLAN**  
(NOT TO SCALE)

NOTES:  
THE COST FOR MAILBOX RELOCATION AND BLOCKOUTS SHALL BE INCLUDED IN THE COST FOR PCC SIDEWALK, 4"



**SECTION A-A**  
(NOT TO SCALE)

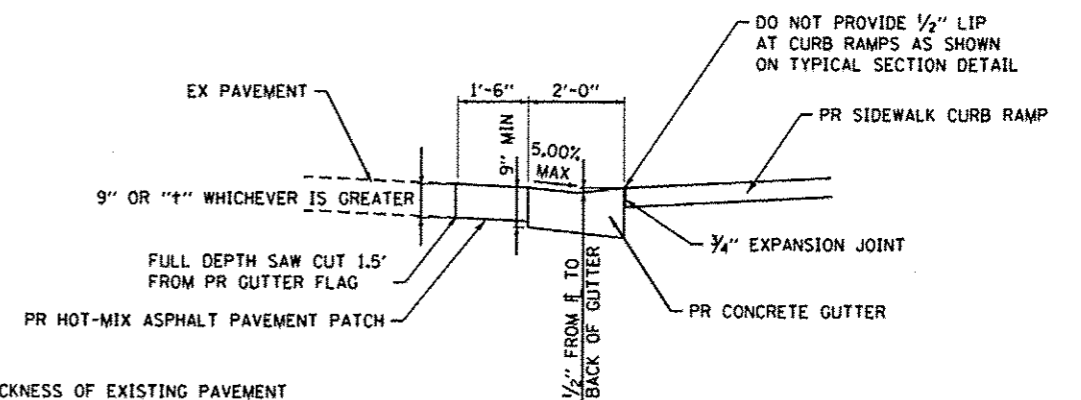
**TYPICAL ENTRANCE DETAIL**  
(NOT TO SCALE)



**SECTION B-B**  
(NOT TO SCALE)

**MAILBOX DETAIL**  
(NOT TO SCALE)

HOT-MIX ASPHALT DESIGN MIX TABLE			
MIXTURE USE	SURFACE COURSE (FULL DEPTH)	BINDER COURSE (FULL DEPTH)	PATCHING (FULL DEPTH)
THICKNESS	2"	4" (P.E.), 6" (C.E.)	VARIES
AC/PG	PG 64-22	PG 64-22	PG 64-22
RAP % (MAX)	SEE SPECIAL PROVISIONS	SEE SPECIAL PROVISIONS	SEE SPECIAL PROVISIONS
DESIGN AIR VOIDS	4.0% @ Ndes=70	4.0% @ Ndes=70	4.0% @ Ndes=70
MIX COMPOSITION	IL-9.5 or IL-12.5	IL-19.0	IL-9.5 or IL-12.5
FRICTION AGG	MIXTURE "D"	MIXTURE "B"	MIXTURE "C"
DENSITY TEST METHOD	NUCLEAR	NUCLEAR	NUCLEAR



NOTES:  
† = THICKNESS OF EXISTING PAVEMENT  
THE COST FOR HMA PAVEMENT PATCHING SHALL BE INCLUDED IN THE COST FOR CONCRETE GUTTER. TRANSVERSE JOINT TIE BARS SHALL BE No. 6 (3/4") @ 24" CENTERS

**CONCRETE GUTTER AT CURB RAMPS DETAIL**  
(NOT TO SCALE)

FILE NAME = 0829089-shd-details.dgn

USER NAME = default  
PLOT TIME = 1:27:59 PM  
PLOT SCALE = 48.0000 / IN.  
PLOT DATE = 2/6/2013

DESIGNED -  
DRAWN -  
CHECKED -  
DATE -

REVISED -  
REVISED -  
REVISED -  
REVISED -

STATE OF ILLINOIS  
DEPARTMENT OF TRANSPORTATION

CONSTRUCTION DETAILS

SCALE: SHEET NO. 1 OF 3 SHEETS STA. TO STA.

F.A. RTE.	SECTION	COUNTY	TOTAL SHEETS	SHEET NO.
	10-00094-00-SW	MADISON	35	22
CONTRACT NO. 97512				
ILLINOIS FED. AID PROJECT				