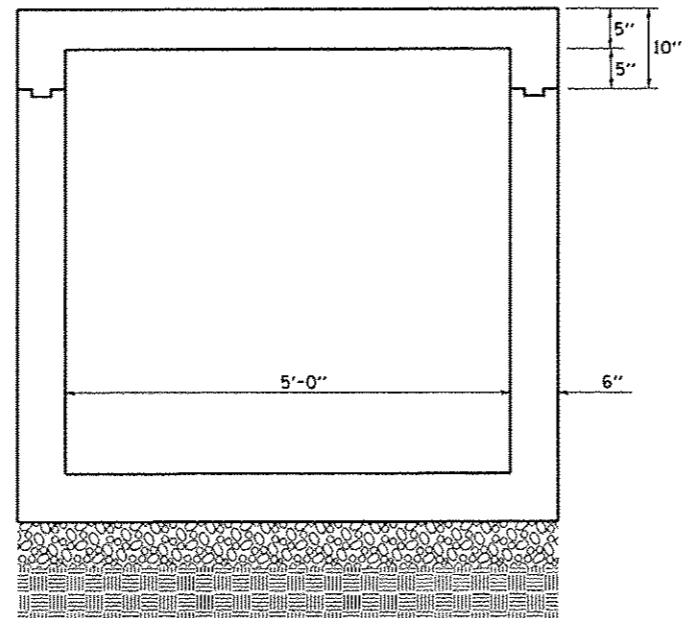
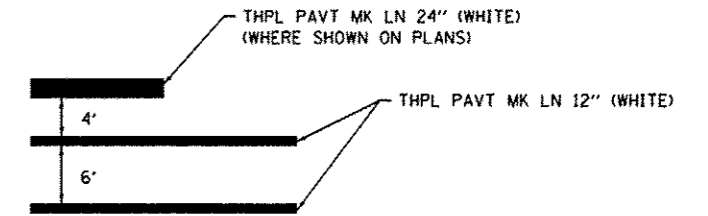


SIDE VIEW
(NOT TO SCALE)

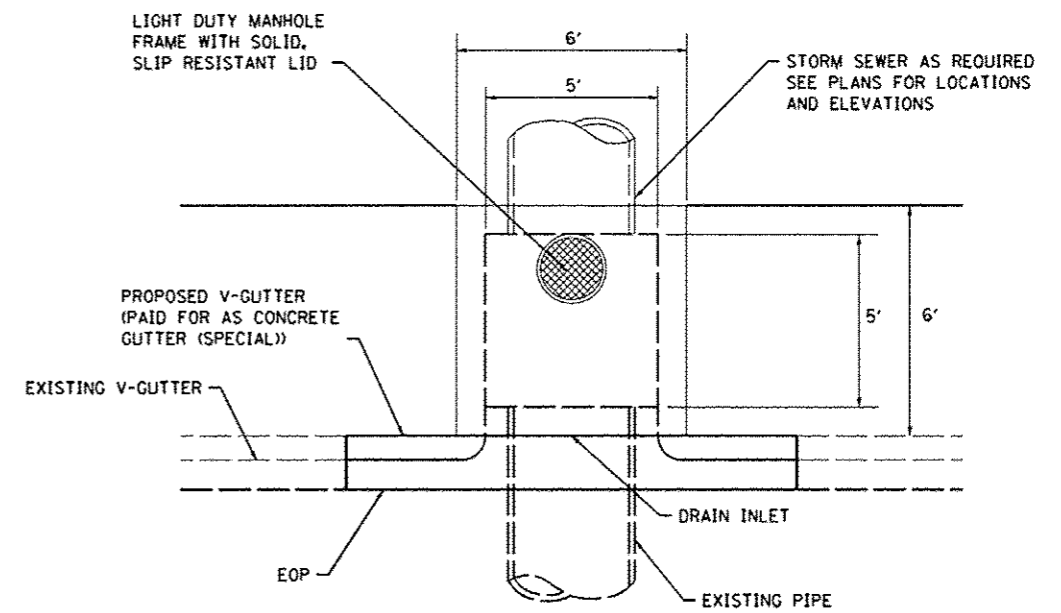
NOTE:
CUT LIFTING RINGS FROM LID
AFTER SETTING



INLETS, SPECIAL DETAIL
(NOT TO SCALE)



CROSSWALK DETAIL
(NOT TO SCALE)



PLAN VIEW
(NOT TO SCALE)

FILE NAME :	USER NAME :	DESIGNED :	REVISED :
0829869-shd-details.dgn	default	-	-
	PLOT TIME :	DRAWN :	REVISED :
	12:01:28 PM	-	-
	PLOT SCALE :	CHECKED :	REVISED :
	40.0000 / IN.	-	-
	PLOT DATE :	DATE :	REVISED :
	1/7/2013	-	-

STATE OF ILLINOIS	DESIGNED :	REVISED :
DEPARTMENT OF TRANSPORTATION	-	-
	DRAWN :	REVISED :
	-	-
	CHECKED :	REVISED :
	-	-
	DATE :	REVISED :
	-	-

STATE OF ILLINOIS DEPARTMENT OF TRANSPORTATION	
SCALE:	SHEET NO. 2 OF 3 SHEETS
STA.	TO STA.

CONSTRUCTION DETAILS	
SCALE:	SHEET NO. 2 OF 3 SHEETS
STA.	TO STA.

F.A. RTE.	SECTION	COUNTY	TOTAL SHEETS	SHEET NO.
	10-00094-00-SW	MADISON	35	23
CONTRACT NO. 97512				
ILLINOIS FED. AID PROJECT				