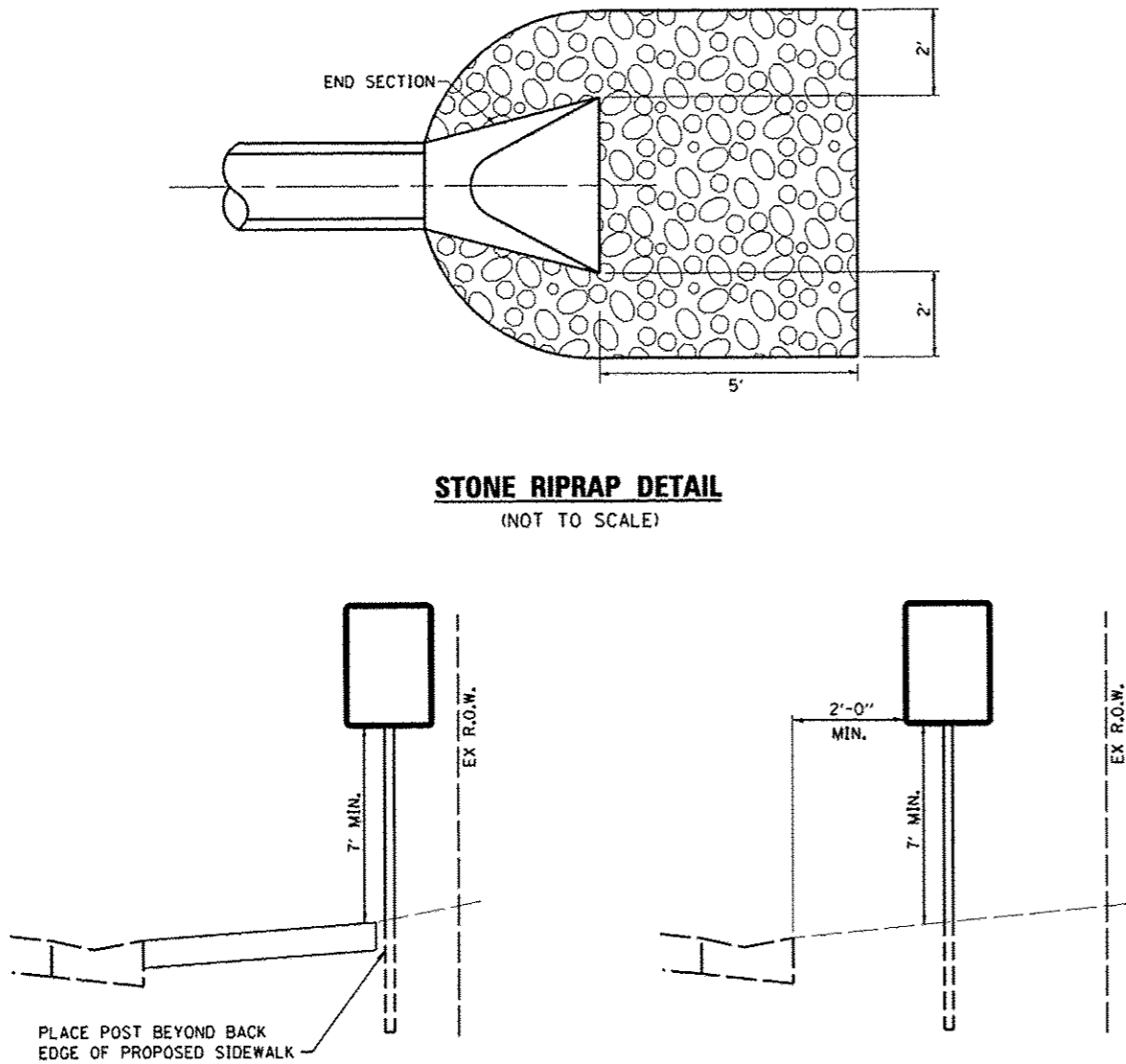


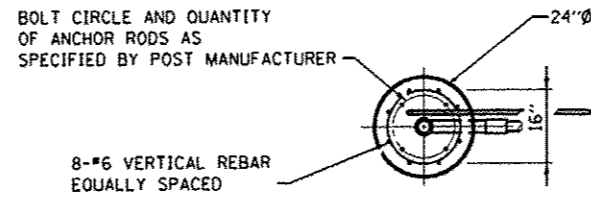
STONE RIPRAP DETAIL
(NOT TO SCALE)



ADJACENT TO SIDEWALK
(NOT TO SCALE)

NO SIDEWALK
(NOT TO SCALE)

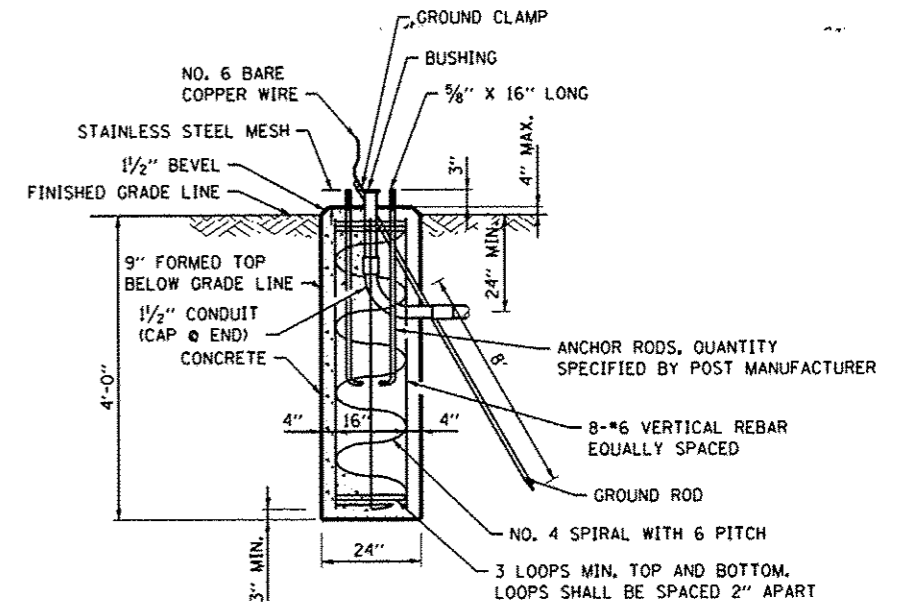
SIGN PLACEMENT DETAIL
(NOT TO SCALE)



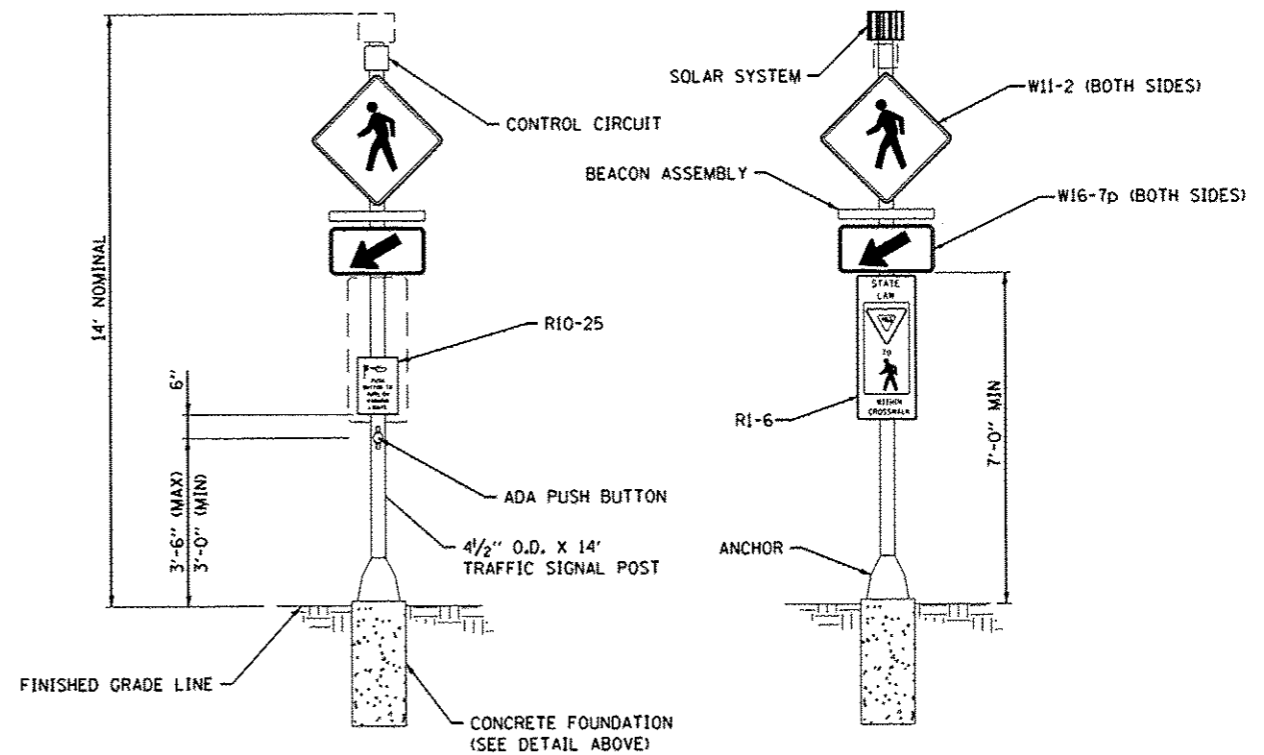
TOP VIEW
(NOT TO SCALE)

NOTES:

1. SEE SPECIAL PROVISION FOR SOLAR-POWERED FLASHING BEACON ASSEMBLY (COMPLETE)
2. CONCRETE FOUNDATIONS, SIGN PANELS, CONTROL CIRCUITS, ETC SHALL BE INCLUDED IN THE COST OF THE ENTIRE ASSEMBLY
3. POST AND FOUNDATION SHALL BE ACCORDING TO ARTICLE 1077.01 OF THE STANDARD SPECIFICATIONS FOR ROAD AND BRIDGE CONSTRUCTION



CONCRETE FOUNDATION
(NOT TO SCALE)



FRONT VIEW
(NOT TO SCALE)

BACK VIEW
(NOT TO SCALE)

SOLAR-POWERED FLASHING BEACON ASSEMBLY (COMPLETE)
(NOT TO SCALE)

FILE NAME : 0829059-shr-details.dgn

USER NAME : default
PLOT TIME : 12:01:28 PM
PLOT SCALE : 48.0000 / IN.
PLOT DATE : 1/7/2010

DESIGNED -
DRAWN -
CHECKED -
DATE -

REVISED -
REVISED -
REVISED -
REVISED -

**STATE OF ILLINOIS
DEPARTMENT OF TRANSPORTATION**

CONSTRUCTION DETAILS

SCALE: SHEET NO. 3 OF 3 SHEETS STA. TO STA.

F.A. RTE.	SECTION	COUNTY	TOTAL SHEETS	SHEET NO.
	10-00094-00-SW	MADISON	35	24
CONTRACT NO. 97512				

ILLINOIS FED. AID PROJECT