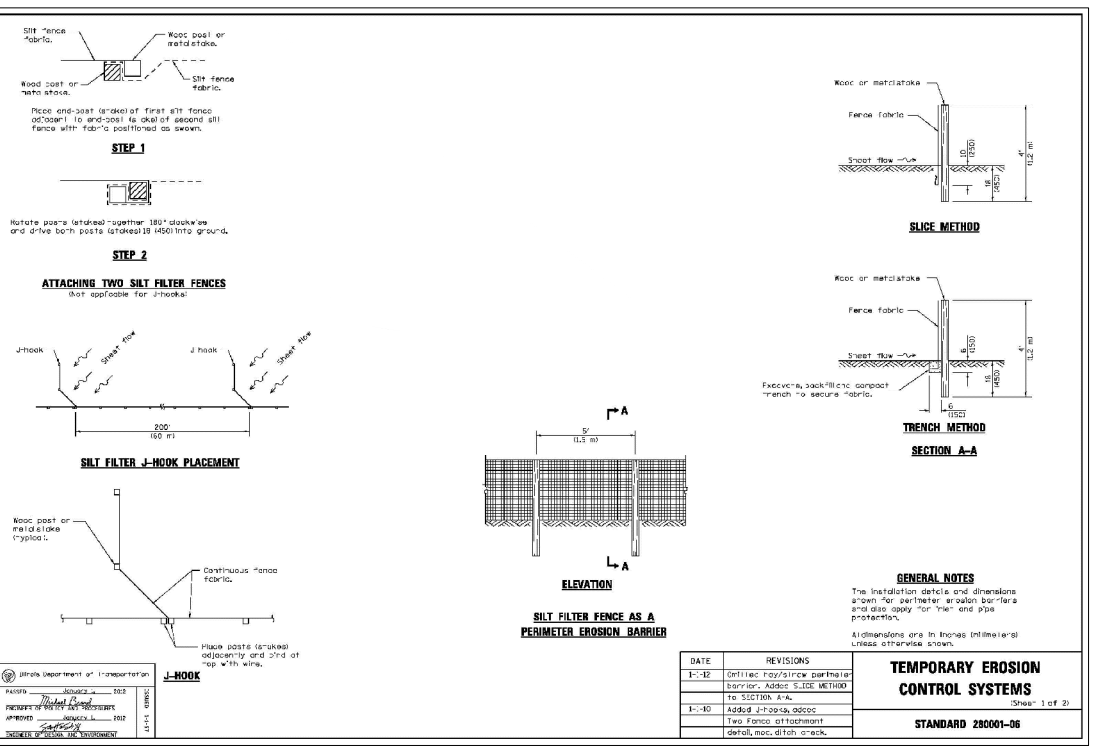
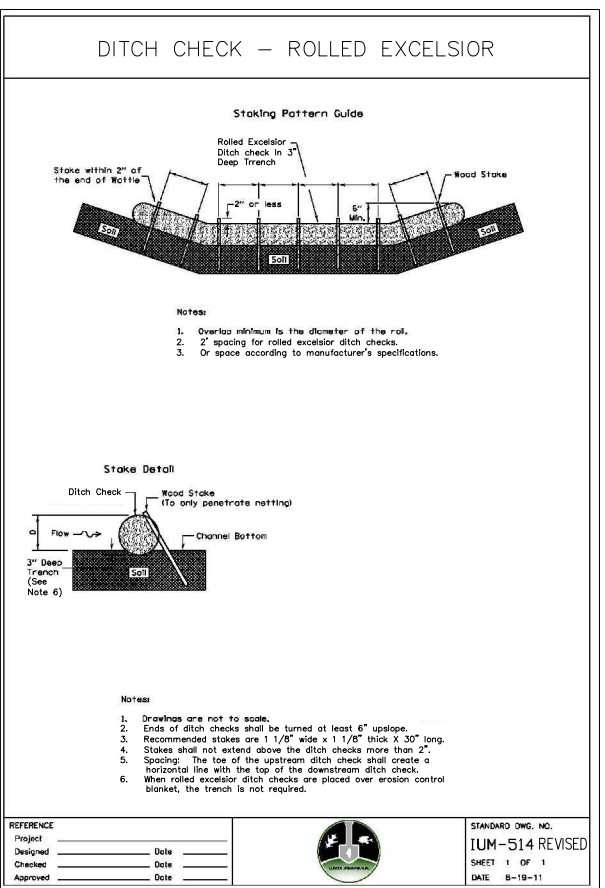
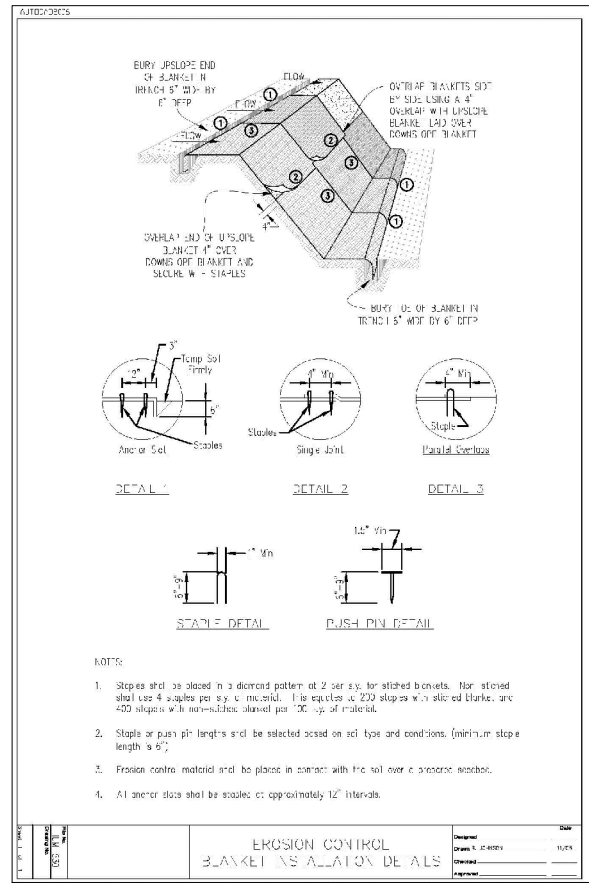
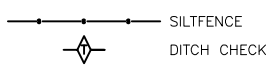
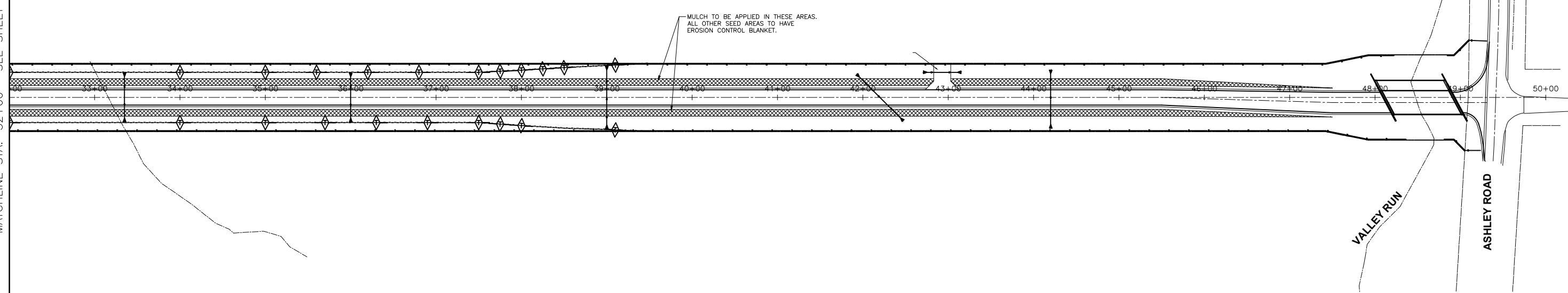
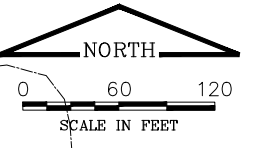


MATCHLINE STA. 32+00 SEE SHEET 5



CHAMLIN & ASSOCIATES, INC. © 2009. Drawing Name: H:\A\0202-86\CTOP0 2-15-12.dwg Last Modified: Mar 08, 2013 - 2:01pm Plotted on: Mar 08, 2013 - 3:08pm by mark

DRAWN BY: MAB	LEVEL: 1	BY: MAB	DATE: 3/8/13	REVISIONS:	DESCRIPTION:
CHECKED BY: RTS				REVISED PER IDA COMMENTS	
CREATED: 11/8/12					

CHAMLIN & ASSOCIATES

PERU MORRIS
ILLINOIS

MORRIS AIRPORT ACCESS ROAD
CITY OF MORRIS, GRUNDY COUNTY, ILLINOIS

EROSION CONTROL PLAN

APPROVED FOR CONSTRUCTION

CURRENT AS OF: 03/08/13

SCALE: 1" = 50'

FILE NO.:

SHEET 12 OF 38