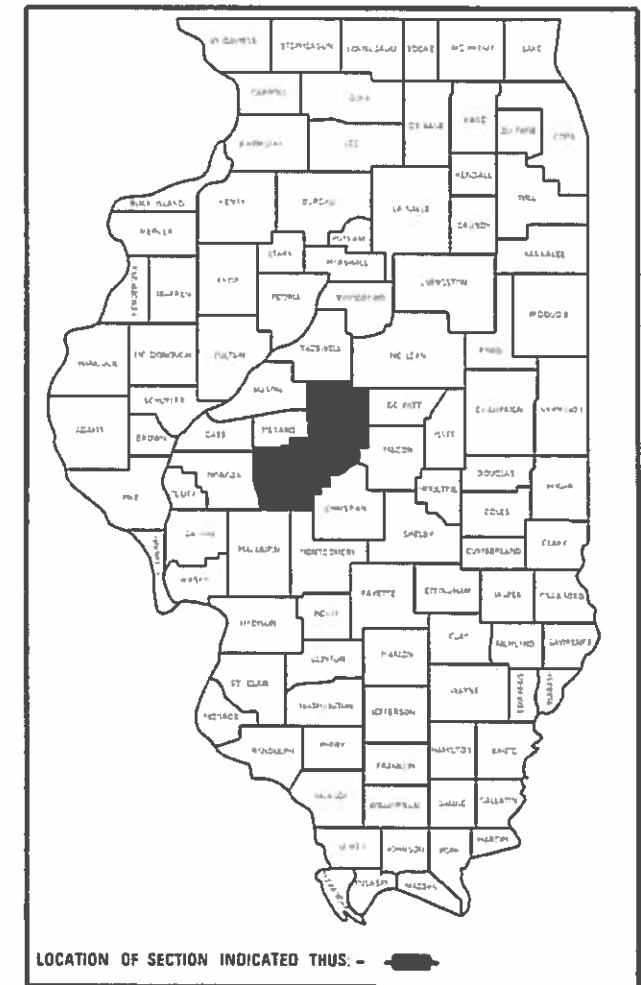


STATE OF ILLINOIS
DEPARTMENT OF TRANSPORTATION

FAI RTE	SECTION	COUNTY	TOTAL SHEETS	SHEET NO.
55/72	D6 PATCHING 2018-2	SANGAMON	8	1
		LOGAN		
				CONTRACT NO. 72K99

D96-020-19



PROPOSED HIGHWAY PLANS

FAI ROUTE 55/72 (I-72, I-55)
SECTION D6 PATCHING 2018-2

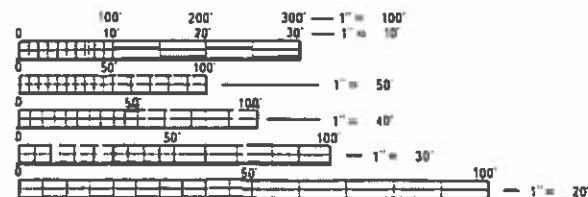
PAVEMENT PATCHING
SANGAMON/LOGAN COUNTY

C-96-028-19

FOR INDEX OF SHEETS, SEE SHEET NO. 2

ADT = 28,800
SU = 3,300
MU = 5,300

SEE SHEET 6 FOR LOCATIONS MAP



FULL SIZE PLANS HAVE BEEN PREPARED USING STANDARD ENGINEERING SCALES. REDUCED SIZED PLANS WILL NOT CONFORM TO STANDARD SCALES. IN MAKING MEASUREMENTS ON REDUCED PLANS, THE ABOVE SCALES MAY BE USED.

J.U.L.I.E.
JOINT UTILITY LOCATION INFORMATION FOR EXCAVATORS
1-800-892-0123
OR 811

PROJECT ENGINEER
PROJECT MANAGER

CONTRACT NO. 72K99

GROSS LENGTH = x.xx FT. = x.xxx MILE
NET LENGTH = x.xx FT. = x.xxx MILE

STATE OF ILLINOIS
DEPARTMENT OF TRANSPORTATION

SUBMITTED 21 February 20 19
[Signature]
REGIONAL ENGINEER

March 22 20 19
[Signature]
ENGINEER OF DESIGN AND ENVIRONMENT

March 22 20 19
[Signature]
DIRECTOR OF HIGHWAYS PROJECT IMPLEMENTATION

PRINTED BY THE AUTHORITY
OF THE STATE OF ILLINOIS

INDEX OF SHEETS

SHEET NO.	DESCRIPTION
1.	COVER SHEET
2.	INDEX OF SHEETS, STANDARDS, GENERAL NOTES & SIGNATURE
3.	SUMMARY OF QUANTITIES
4-5.	PATCHING SCHEDULE
6.	PROJECT LOCATION MAP
7.	PROJECT TYPICAL SECTIONS
8.	DETAILS

STANDARDS

STANDARD NO.	DESCRIPTION
442001-04	CLASS A PATCHES
442101-09	CLASS B PATCHES
701101-05	OFF-RD OPERATIONS, MULTILANE, 15' TO 24" FROM EDGE OF PAVEMENT
701106-02	OFF-RD OPERATIONS, MULTILANE, MORE THAN 15" AWAY
701400-09	APPROACH TO LANE CLOSURE, FREEWAY/EXPRESSWAY
701401-12	LANE CLOSURE, FREEWAY/EXPRESSWAY
701411-09	LANE CLOSURE, MULTILANE AT ENTRANCE OR EXIT RAMP FOR SPEEDS \geq 45 MPH
701446-09	TWO LANE CLOSURE, FREEWAY/EXPRESSWAY
701456-05	PARTIAL EXIT RAMP CLOSURE, FREEWAY/EXPRESSWAY
701901-08	TRAFFIC CONTROL DEVICES

MIXTURE REQUIREMENTS

THE FOLLOWING MIXTURE REQUIREMENTS ARE APPLICABLE FOR THIS PROJECT		
LOCATION:	SHOULDER REPAIR	SHOULDER REPAIR
MIXTURE USE(S):	LOWER LIFTS	TOP 2"
AC/PG:	PG 64-22	PG 64-22
DESIGN AIR VOIDS:	4.0% @ N50	4.0% @ N50
MIXTURE COMPOSITION:	IL 19.0	IL 9.5
FRICTION AGGREGATE:	N/A	MIX "C"
QUALITY MANAGEMENT	QC/QA	QC/QA

**STATE OF ILLINOIS
DEPARTMENT OF TRANSPORTATION
DIVISION OF HIGHWAYS
DISTRICT 6**

EXAMINED 5 February 20 19
[Signature]
ENGINEER OF OPERATIONS

EXAMINED 5 February 20 19
[Signature]
ENGINEER OF PROJECT IMPLEMENTATION

EXAMINED 5 February 20 19
[Signature]
ENGINEER OF PROGRAM DEVELOPMENT

REV. - MS

CODE NO.	ITEM	UNIT	TOTAL QUANTITY	0-01625-6017	0-01625-6017	0-01625-6017
				100% STATE	100% STATE	100% STATE
				I-55 SANGMON ROADWAY	I-72 SANGAMON ROADWAY	I-55 LOGAN ROADWAY
				0005 RURAL	0005 RURAL	0005 RURAL
4420050	WELDED WIRE REINFORCEMENT	SQ YD	80	80	0	0
44200565	CLASS A PATCHES, TYPE II, 11 INCH	SQ YD	300	0	300	0
44200569	CLASS A PATCHES, TYPE III, 11 INCH	SQ YD	40	0	40	0
44200571	CLASS A PATCHES, TYPE IV, 11 INCH	SQ YD	40	0	40	0
44200577	CLASS A PATCHES, TYPE II, 12 INCH	SQ YD	136	136	0	0
44200581	CLASS A PATCHES, TYPE III, 12 INCH	SQ YD	40	40	0	0
44200583	CLASS A PATCHES, TYPE IV, 12 INCH	SQ YD	40	40	0	0
44200610	CLASS A PATCHES, TYPE II, 13 INCH	SQ YD	194.7	130.7	0	64
44200612	CLASS A PATCHES, TYPE III, 13 INCH	SQ YD	40	40	0	0
44200614	CLASS A PATCHES, TYPE IV, 13 INCH	SQ YD	320	186.7	0	133.3
44200624	CLASS A PATCHES, TYPE III, 14 INCH	SQ YD	37.3	0	37.3	0
44201043	CLASS B PATCHES, TYPE II, 16 INCH	SQ YD	98.7	98.7	0	0
44201047	CLASS B PATCHES, TYPE III, 16 INCH	SQ YD	40	40	0	0
44201048	CLASS B PATCHES, TYPE IV, 16 INCH	SQ YD	40	40	0	0
44201299	DOWEL BARS 1 1/2"	EACH	460	400	0	60
44213000	PATCHING REINFORCEMENT	SQ YD	1374.6	760	417.3	197.3
44213200	SAW CUTS	FOOT	7322	3736	2810	776
44213204	TIE BARS 3/4"	EACH	251	170	15	66
67100100	MOBILIZATION	L.SUM	1	0.34	0.33	0.33
70100205	TRAFFIC CONTROL AND PROTECTION, STANDARD 701-01	EACH	11	6	5	0
70100420	TRAFFIC CONTROL AND PROTECTION, STANDARD 701-11	EACH	23	15	3	5
70100430	TRAFFIC CONTROL AND PROTECTION, STANDARD 701-16	EACH	7	5	0	2
70100825	TRAFFIC CONTROL AND PROTECTION, STANDARD 701-156	L.SUM	1	0.34	0.33	0.33
70200100	NIGHTTIME WORK ZONE LIGHTING	L.SUM	1	0.34	0.33	0.33
70107025	CHANGEABLE MESSAGE SIGN	CAL DA	60	20	20	20
74820110	HOT-MIX ASPHALT SHOULDER REMOVAL AND REPLACEMENT (SPECIAL)	SQ YD	60	20	20	20
	CLASS B PATCH, TYPE II, 16 INCH (SPECIAL)	SQ YD	8	8	0	0

STATE OF ILLINOIS
DEPARTMENT OF TRANSPORTATION

SUMMARY OF QUANTITIES

F.A.I. RTE.	SECTION	COUNTY	TOTAL SHEETS	SHEET NO.
55/72	D6 PATCHING 2018-2	SANG/LOGAN	8	3
			CONTRACT NO. 72K99	
ILLINOIS FED. AID PROJECT				

REV. - MS

USER NAME = sbprtd	DESIGNED -	REVISED -
PLOT SCALE = 2/3000 = 1/1500	DRAWN -	REVISED -
PLOT DATE = 2/20/2019	CHECKED -	REVISED -
	DATE -	REVISED -

SCALE SHEET OF SHEETS STA TO STA

MILE	LANE	LENGTH	WIDTH	AREA	CLASS A, 11 INCH			CLASS A, 14 INCH			SAW CUTS	DOWEL BARS 1 1/2"	TIE BARS 3/4"	WELDED WIRE REINF.	PATCHING REINF.							
					TY II	TY III	TY IV	TY II	TY III	TY IV												
MARKER	DL/ML/PL	(FT)	(FT)	(S.Y.)	(S.Y.)	(S.Y.)	(S.Y.)	(S.Y.)	(S.Y.)	(S.Y.)	(FT)	(EA.)	(EA.)	(S.Y.)	(S.Y.)							
I-72 WESTBOUND - SANGAMON COUNTY																						
124.2	SANGAMON/MACON COUNTY LINE																					
116.3	STRUCTURE 084-0157																					
114.2	DL	12	12	16.0	--	--	--	--	16.0	--	72.0				16.0							
114.1	EXIT 114 OVERHEAD BUFFALO MECHANICSBURG ROAD																					
96.7	2ND STREET OVERHEAD																					
96.4	DL	6	12	8.0	8.0	--	--	--	--	--	60.0				8.0							
96.4	DL	6	12	8.0	8.0	--	--	--	--	--	60.0				8.0							
96.4	PL	6	12	8.0	8.0	--	--	--	--	--	60.0				8.0							
96.3	DL	6	12	8.0	8.0	--	--	--	--	--	60.0				8.0							
96.2	DL	8	12	10.7	10.7	--	--	--	--	--	64.0				10.7							
96.2	DL	6	12	8.0	8.0	--	--	--	--	--	60.0				8.0							
96.2	PL	6	12	8.0	8.0	--	--	--	--	--	60.0				8.0							
96.2	DL	6	12	8.0	8.0	--	--	--	--	--	60.0				8.0							
96.2	PL	6	12	8.0	8.0	--	--	--	--	--	60.0				8.0							
96.0	STRUCTURE 084-0074 OVER RAILROAD																					
95.9	DL	6	12	8.0	8.0	--	--	--	--	--	60.0				8.0							
95.9	PL	6	12	8.0	8.0	--	--	--	--	--	60.0				8.0							
95.9	DL	6	12	8.0	8.0	--	--	--	--	--	60.0				8.0							
95.9	PL	8	12	10.7	10.7	--	--	--	--	--	64.0				10.7							
95.9	DL	7	12	9.3	9.3	--	--	--	--	--	62.0				9.3							
95.8	PL	8	12	10.7	10.7	--	--	--	--	--	64.0				10.7							
95.8	DL	6	12	8.0	8.0	--	--	--	--	--	60.0				8.0							
95.8	DL	6	12	8.0	8.0	--	--	--	--	--	60.0				8.0							
95.7	MACARTHUR BOULAVARD OVERHEAD																					
95.7	DL	6	12	8.0	8.0	--	--	--	--	--	60.0				8.0							
95.6	DL	6	12	8.0	8.0	--	--	--	--	--	60.0				8.0							
95.6	DL	12	12	16.0	--	16.0	--	--	--	--	72.0				16.0							
95.6	DL	6	12	8.0	8.0	--	--	--	--	--	60.0				8.0							
95.6	DL	6	12	8.0	8.0	--	--	--	--	--	60.0				8.0							
95.6	DL	6	12	8.0	8.0	--	--	--	--	--	60.0				8.0							
95.6	PL	6	12	8.0	8.0	--	--	--	--	--	60.0				8.0							
95.5	DL	6	12	8.0	8.0	--	--	--	--	--	60.0				8.0							
95.5	DL	6	12	8.0	8.0	--	--	--	--	--	60.0				8.0							
95.5	PL	6	12	8.0	8.0	--	--	--	--	--	60.0				8.0							
95.4	DL	6	12	8.0	8.0	--	--	--	--	--	60.0				8.0							
95.4	DL	7	12	9.3	9.3	--	--	--	--	--	62.0				9.3							
95.4	DL	6	12	8.0	8.0	--	--	--	--	--	60.0				8.0							
95.3	DL	6	12	8.0	8.0	--	--	--	--	--	60.0				8.0							
95.3	DL	7	12	9.3	9.3	--	--	--	--	--	62.0				9.3							
95.2	DL	6	12	8.0	8.0	--	--	--	--	--	60.0				8.0							
95.2	PL	6	12	8.0	8.0	--	--	--	--	--	60.0				8.0							
95.1	DL	6	12	8.0	8.0	--	--	--	--	--	60.0				8.0							
95.1	PL	6	12	8.0	8.0	--	--	--	--	--	60.0				8.0							
94.8	CHATHAM ROAD OVERHEAD																					
93.8	EXIT 93 OVERHEAD IL 4																					
86.2	TOLLIVER ROAD OVERHEAD																					
86.2	DL	6	12	8.0	8.0	--	--	--	--	--	60.0				8.0							
83.3	LINK ROAD OVERHEAD																					
	MISC. ADDITIONAL PATCHES											0.0	24.0	40.0			408.0	15	64.0			
78.8	MORGAN/SANGAMON																					
I-72 EASTBOUND - SANGAMON COUNTY																						
117.2	LANESVILLE ROAD OVERHEAD																					
117.2	PL	16	12	21.3	0.0	0.0	0.0	0.0	21.3	0.0	80.0	0	0	0.0	21.3							
119.2	KENT FARM ROAD OVERHEAD																					
	Patching Total I-72 Sangamon Co.:											300.0	40.0	40.0	0.0	37.3	0.0	2810.0	0.0	15.0	0.0	417.3

TRAFFIC CONTROL AND PROTECTION SCHEDULE			
LOCATION	STD 701401 (EACH)	STD 701411 (EACH)	STD 701446 (EACH)
I-55 NB IL 104 TO GLENARM (ML)	0	2	1
I-55 NB SANGAMON RIVER TO MM 107.7 (PL,ML,DL)	1	3	1
I-55 NB ELKHART TO BROADWELL (DL, ML)	0	2	1
I-55 NB BROADWELL TO MM124.5 (DL,ML)	0	3	1
I-55 SB WILLIAMSVILLE TO SHERMAN EXIT (DL,ML,PL)	1	2	1
I-55 SB SANGAMON RIVER TO RIDGLEY OVERHEAD (DL,PL)	2	2	0
I-55 SB LAKE BRIDGE TO SN 084-0113 (DL,ML,PL)	1	2	1
I-55 SB SN 084-0113 TO DIVERNON OVERHEAD (DL,ML,PL)	1	4	1
I-72 EB NEAR MM 117.2 (PL)	1	0	0
I-72 WB NEAR MM 114.2 (DL)	1	0	0
I-72 WB 2ND STREET TO IL 4 (DL,PL)	2	3	0
I-72 WB NEAR MM 86.2 (DL)	1	0	0
TOTAL	11	23	7

PATCHING SCHEDULE SUMMARY																								
MILE	LANE	LENGTH	WIDTH	AREA	CLASS A, 11 INCH			CLASS A, 12 INCH			CLASS A, 13 INCH			CLASS A, 14 INCH			CLASS B, 16 INCH			SAW CUTS	DOWEL BARS 1 1/2"	TIE BARS 3/4"	WELDED WIRE REINF.	PATCHING REINF.
					TY II	TY III	TY IV	TY II	TY III	TY IV	TY II	TY III	TY IV	TY II	TY III	TY IV	TY II	TY III	TY IV					
MARKER	DL/ML/PL	(FT)	(FT)	(S.Y.)	(S.Y.)	(S.Y.)	(S.Y.)	(S.Y.)	(S.Y.)	(S.Y.)	(S.Y.)	(S.Y.)	(S.Y.)	(S.Y.)	(S.Y.)	(S.Y.)	(S.Y.)	(S.Y.)	(S.Y.)	(FT)	(EA.)	(EA.)	(S.Y.)	(S.Y.)
Patching I-55 Logan Co. Subtotal:					0.0	0.0	0.0	0.0	0.0	0.0	64.0	0.0	133.3	0.0	0.0	0.0	0.0	0.0	0.0	775.0	60.0	66.0	0.0	197.3
Patching I-55 Sangamon Co. Northbound Subtotal:					0.0	0.0	0.0	40.0	0.0	0.0	32.0	0.0	0.0	0.0	0.0	45.3	0.0	0.0	0.0	788.0	100.0	0.0	0.0	117.3
Patching I-55 Sangamon Co. Southbound Subtotal:					0.0	0.0	0.0	96.0	40.0	40.0	98.7	40.0	186.7	0.0	0.0	0.0	53.3	40.0	40.0	2900.0	280.0	170.0	80.0	634.7
Patching I-72 Sangamon Co. Subtotal:					300.0	40.0	40.0	0.0	0.0	0.0	0.0	0.0	0.0	0.0	37.3	0.0	0.0	0.0	0.0	2810.0	0.0	15.0	0.0	417.3
Class B Patches, Type II, 16 Inch (Special)					0.0	0.0	0.0	0.0	0.0	0.0	0.0	0.0	0.0	0.0	0.0	0.0	0.0	0.0	48.0	20.0	0.0	0.0	0.0	8.0
Patching I-55 Total:					300.0	40.0	40.0	136.0	40.0	40.0	194.7	40.0	320.0	0.0	37.3	0.0	106.6	40.0	40.0	7322.0	460.0	251.0	80.0	1374.6

MODEL: I-72WB
 FILE NAME: S:\COMPUTER\I-72WB\I-72WB.dwg
 USER: S:\COMPUTER\I-72WB\I-72WB.dwg
 DATE: 5/22/2019

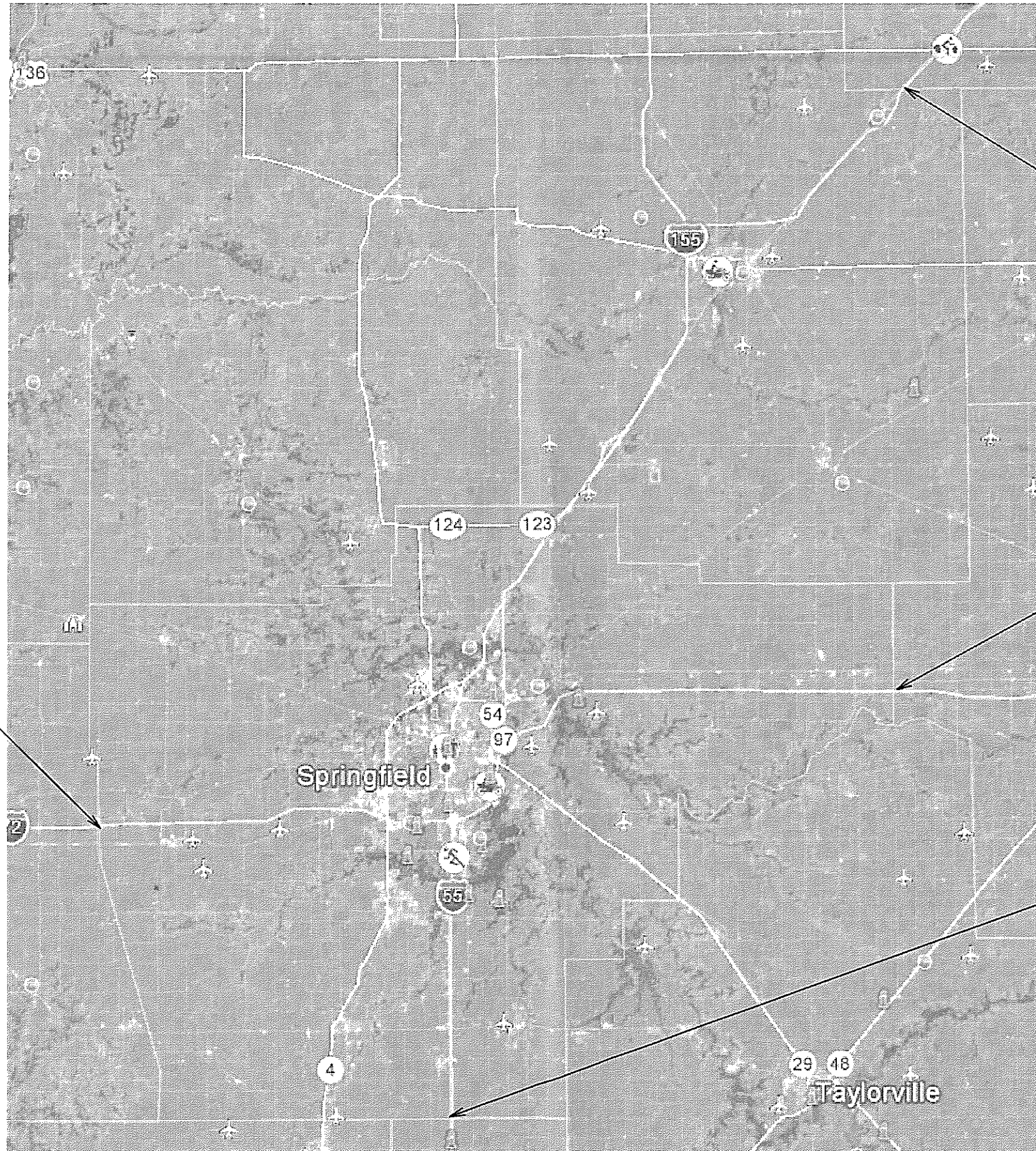
USER NAME = shaptd	DESIGNED - _____	REVISED - _____
PLOT SCALE = 2/9000	DRAWN - _____	REVISED - _____
PLOT DATE = 2/20/2019	CHECKED - _____	REVISED - _____
	DATE - _____	REVISED - _____

STATE OF ILLINOIS
DEPARTMENT OF TRANSPORTATION

SCHEDULES

SCALE _____ SHEET _____ OF _____ SHEETS STA _____ TO STA _____

F.A.I. RTE.	SECTION	COUNTY	TOTAL SHEETS	SHEET NO.
55/72	D6 PATCHING 2018-2	SANG/LOGAN	8	5
CONTRACT NO. 72K99				
ILLINOIS FED. AID PROJECT				



BEGIN PROJECT
ON I-72
SANGAMON CO.

END PROJECT
ON I-55
LOGAN CO.

END PROJECT
ON I-72
SANGAMON CO.

BEGIN PROJECT
ON I-55
SANGAMON CO.

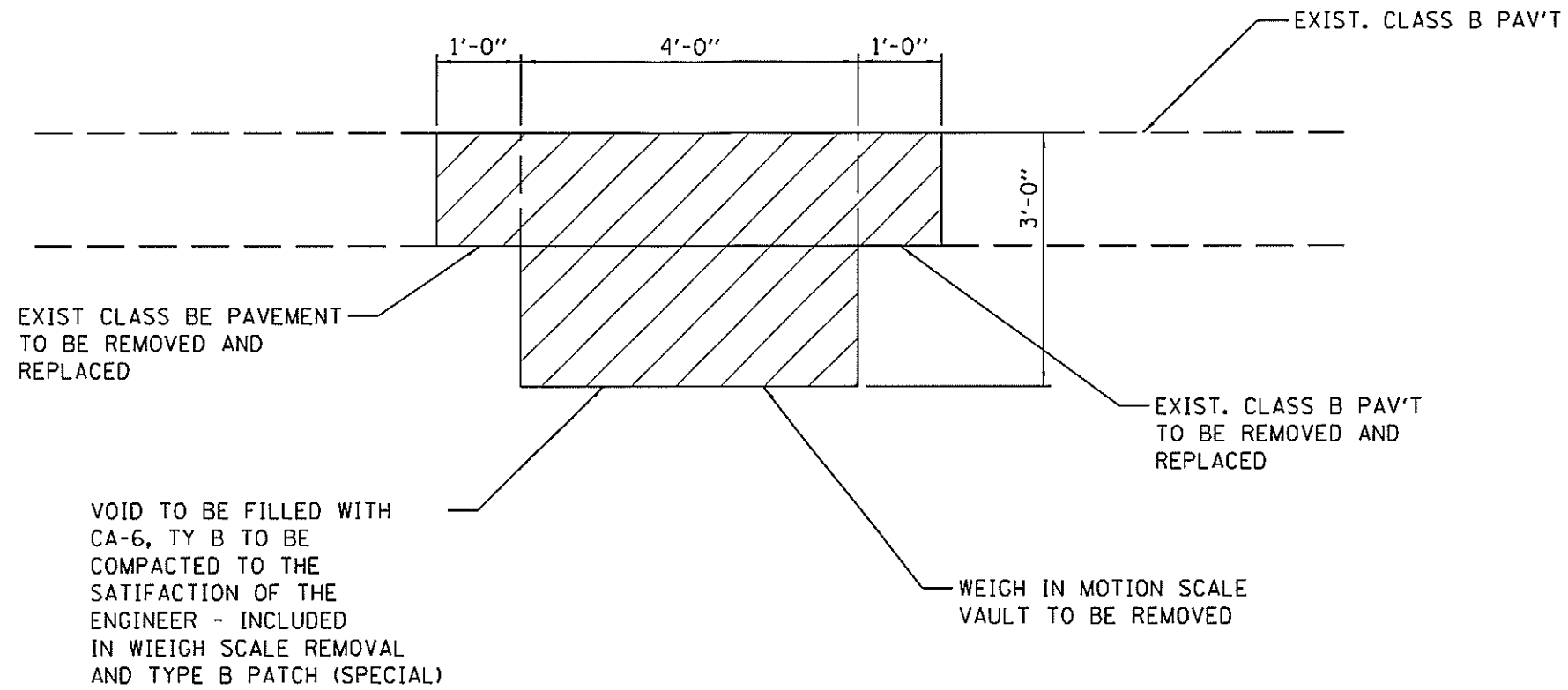
I:\A\1 - In\Drawn
 FILE NAME: S:\COURTNEY\172\172.dwg
 USER: sharpid
 PLOT DATE: 2/15/2019

USER NAME = sharpid	DESIGNED - _____	REVISED - _____
PLOT SCALE = 2 0000 / in.	DRAWN - _____	REVISED - _____
PLOT DATE = 2/15/2019	CHECKED - _____	REVISED - _____
	DATE - _____	REVISED - _____

**STATE OF ILLINOIS
DEPARTMENT OF TRANSPORTATION**

PLAN		
SCALE _____	SHEET _____ OF _____ SHEETS	STA. _____ TO STA. _____

F A J RTE.	SECTION	COUNTY	TOTAL SHEETS	SHEET NO.
55/72	D6 PATCHING 2018-2	SANG/LOGAN	3	6
ILLINOIS FED AID PROJECT CONTRACT NO. 72K99				



CLASS B PATCHES, TYPE II, 16 INCH (SPECIAL)
I-55 SB DL MM 108.0

*I-55 SB DL patch at mile marker 108.0 contains an existing scale. See general notes and details for additional information
Three weeks prior to removal of the WIM scale, notify Mr. Jared Martin, 217-685-6946.
The two WIM scales will be removed by International Road Dynamics prior to any sawcutting.
After removal of the WIM scales, saw cut 12" deep, full lane width, at a distance of + or - 12" behind the concrete scale vault.
The concrete in the vault should come out adhered to the steel frame and anchorage.
Backfill void and patch with concrete patch as directed special provision and the Engineer.

MODEL: Patch.dwg
 FILE NAME: C:\COURT\BUILT CAD\2019\EA 55 - Sangamon Co - patching 5 - work station\patches22x4x-16 B detail.dwg

USER NAME = shaprd	DESIGNED - _____	REVISED - _____	STATE OF ILLINOIS DEPARTMENT OF TRANSPORTATION	DETAILS		F.A.J. RTE.	SECTION	COUNTY	TOTAL SHEETS	SHEET NO.
PLOT SCALE = 300.0000 / in	DRAWN - _____	REVISED - _____				55/72	D6 PATCHING 2018-2	SANGLOGAN	8	8
PLOT DATE = 2/20/2019	CHECKED - _____	REVISED - _____		SCALE _____	SHEET _____ OF _____ SHEETS	STA. _____ TO STA. _____	ILLINOIS FED. AID PROJECT CONTRACT NO. 72K99			