

ROUTE	SECTION	COUNTY	TOT. SHTS.	SHEET
CH 3	18-00220-00-RS	JEFFERSON	3	1

INDEX OF SHEETS
1. COVER SHEET, LOCATION MAP, SCHEDULE OF QUANTITIES
2. TYPICAL AND PROPOSED CROSS-SECTION
3. SIDE ROAD, PRIVATE ENTRANCE, MAILBOX DETAILS, PATCHING SCHEDULE AND GENERAL NOTES

STATE OF ILLINOIS  
DEPARTMENT OF TRANSPORTATION  
DIVISION OF HIGHWAYS

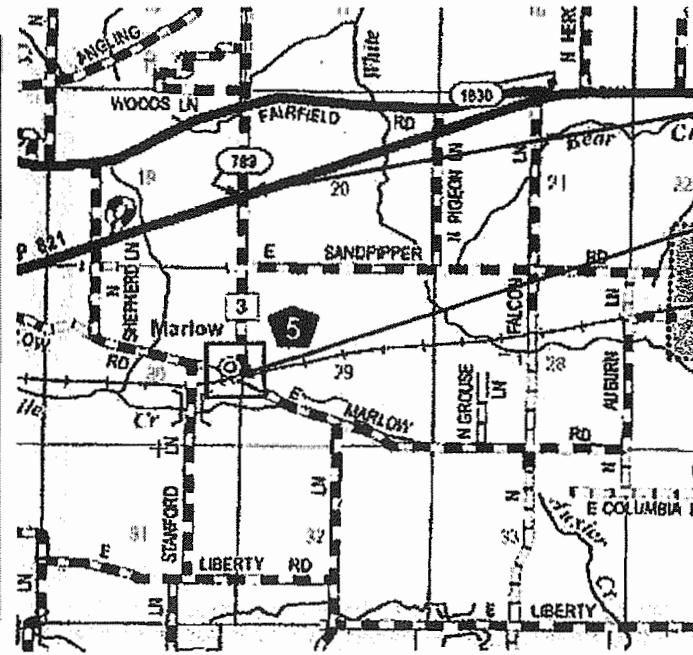


- STANDARDS  
000001-07  
701006-05  
701306-04  
701311-03  
701901-08  
780001-05  
BLR 21-9  
BLR 22-7

PLANS FOR PROPOSED  
SURFACE TRANSPORTATION PROJECT

CH 3 - MARLOW ROAD  
SECTION 18-00220-00-RS  
JEFFERSON COUNTY  
6MJY(350)  
C-99-029-19  
CONTRACT # 99618

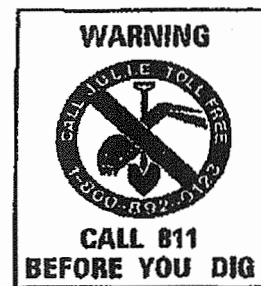
SUMMARY OF QUANTITIES			
	PAY ITEM	UNIT OF MEASURE	QUANTITY
40200800	AGGREGATE SURFACE COURSE, TYPE B	TON	50
40600290	BITUMINOUS MATERIALS (TACK COAT)	POUND	5500
40600625	LEVELING BINDER (MACHINE METHOD), NSO	TON	600
40603310	HOT-MIX ASPHALT SURFACE COURSE, MIX "C", NSO	TON	1400
44000157	HOT-MIX ASPHALT SURFACE REMOVAL, 2"	SQ YD	225
44201757	CLASS D PATCHES, TYPE III, 9 INCH	SQ YD	110
44201759	CLASS D PATCHES, TYPE IV, 9 INCH	SQ YD	285
48101200	AGGREGATE SHOULDERS, TYPE B	TON	325
67100100	MOBILIZATION	LSUM	1
70100460	TRAFFIC CONTROL AND PROTECTION, STANDARD 701306	LSUM	1
70300100	SHORT-TERM PAVEMENT MARKING	FOOT	2200
70300150	SHORT-TERM PAVEMENT MARKING REMOVAL	SQ FT	400
* 78000200	THERMOPLASTIC PAVEMENT MARKING - LINE 4"	FOOT	16825



PROJECT ENDS  
IL ROUTE 15  
STATION 53+86

PROJECT BEGINS  
OPDYKE ROAD  
STATION 0+00

\* SPECIALTY ITEMS CONTRACT # 99618



SCALE: 1 MILE

FUNCTIONAL CLASSIFICATION: LOCAL ROAD  
DESIGN SPEED = 55MPH

TOTAL SECTION LENGTH = 5,386' = 1.020 MILES

APPROVED  
January 18, 2019  
*[Signature]*  
COUNTY ENGINEER  
JEFFERSON COUNTY HIGHWAY DEPARTMENT  
750 OLD FAIRFIELD ROAD  
MT. VERNON, IL 62864  
PH: (618) 244-8031  
LICENCE EXP. 11-30-2019

APPROVED  
January 30, 2019  
*[Signature]*  
DISTRICT 9 ENGINEER OF LOCAL ROADS AND STREETS

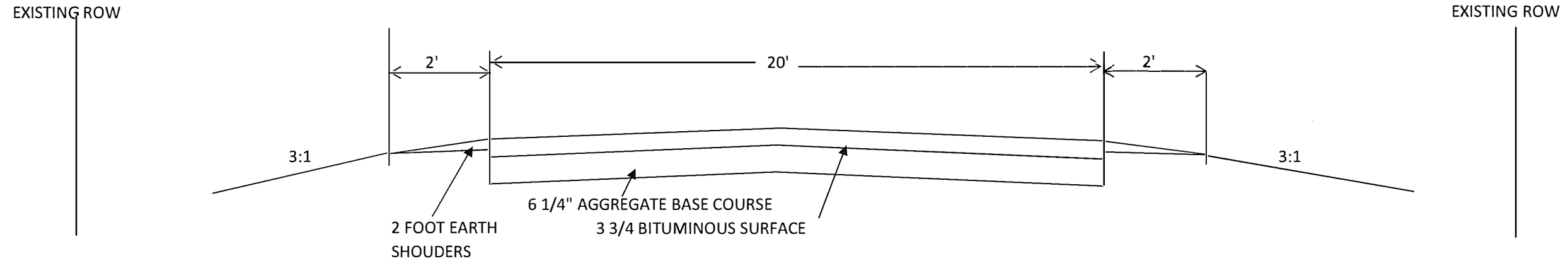
RELEASING FOR BID BASED OF LIMITED REVIEW  
January 30, 2019  
*Keith Roberts*  
KEITH ROBERTS, P.E.  
ACTING DEPUTY DIRECTOR OF  
HIGHWAYS REGION 5 ENGINEER  
STATE OF ILLINOIS  
DEPARTMENT OF TRANSPORTATION

PRINTED BY THE AUTHORITY OF  
THE STATE OF ILLINOIS

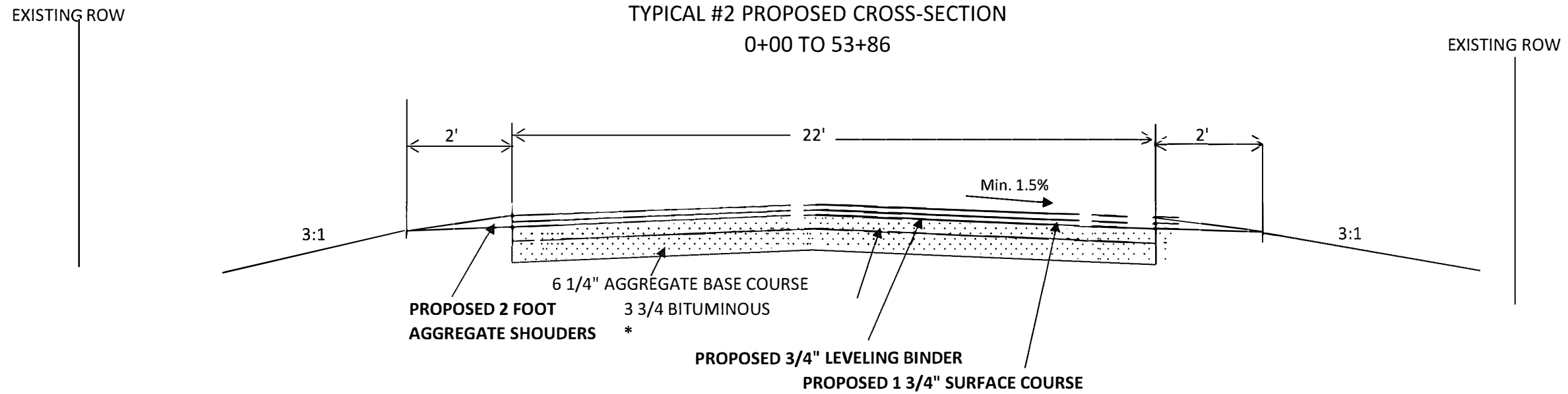
ROUTE	SECTION	COUNTY	TOT. SHTS.	SHEET
CH 3	18-00220-00-RS	JEFFERSON	3	2

Contract # 99618

TYPICAL #1 EXISTING CROSS-SECTION  
0+00 to 53+86



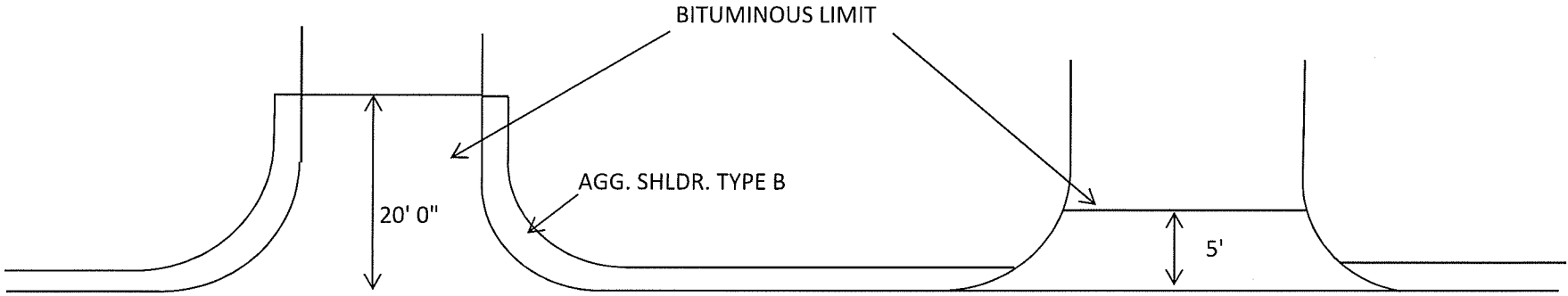
TYPICAL #2 PROPOSED CROSS-SECTION  
0+00 TO 53+86



\* Additional quantity included for drop-off

ROUTE	SECTION	COUNTY	TOT. SHTS.	SHEET
CH 3	18-00220-00-RS	JEFFERSON	3	3

Contract # 99618



DETAIL OF SIDE ROAD INTERSECTION (2 EACH)  
25 TONS HMA EACH INCLUDED IN PROPOSAL

DETAIL OF PRIVATE ENTRANCE (20 EACH)  
5 TONS HMA EACH INCLUDED IN PROPOSAL

GENERAL NOTES

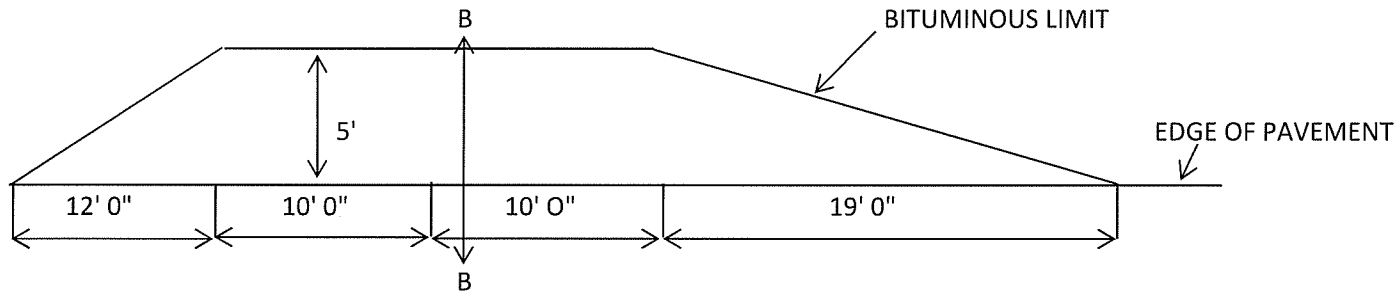
ALL CONSTRUCTION SHALL BE DONE IN ACCORDANCE WITH THE STATE OF ILLINOIS "STANDARD SPECIFICATIONS FOR ROAD AND BRIDGE CONSTRUCTION ADOPTED APRIL 1, 2016", "SUPPLEMENTAL SPECIFICATIONS AND RECURRING SPECIAL PROVISIONS ADOPTED APRIL 1, 2019", THESE PLANS AND THE SPECIAL PROVISIONS INCLUDED IN THE CONTRACT DOCUMENTS

THE LOCATION OF ALL UTILITIES SHALL BE DETERMINED BY THE CONTRACTOR

THE CONTRACTOR SHALL PROVIDE ACCESS TO ABUTTING PROPERTY AT ALL TIMES DURING THE CONSTRUCTION OF THE PROJECT

THE FOLLOWING RATES HAVE BEEN USED IN CALCULATING PLAN QUANTITIES

AGGREGATE SURFACE COURSE, TYPE A	2.00 TON/CU YD
STONE DUMPED RIPRAP, CLASS A4	2.00 TON/CU YD
HOT-MIX ASPHALT	115 LB/SY/IN
TACK COAT	0.05 LB / SF



DETAIL OF MAILBOX TURNOUT (10 EACH)  
4" AGG SURF. CSE TYPE B  
5 TONS AGGREGATE EACH IN THE PROPOSAL

CLASS D PATCHING SCHEDULE					
DIRECTION	BEG	END	WIDTH	CLASS	SY
NBL	34+91	35+25	5	III	18.889
SBL	36+76	37+28	5	IV	28.889
NBL	38+53	38+75	5	III	12.222
SBL	38+79	39+01	6	III	14.667
NBL	38+85	39+27	6	IV	28
NBL	39+38	40+08	10	IV	77.778
SBL	39+38	40+19	5	IV	45
NBL	50+20	50+55	5	III	19.4
NBL	51+19	51+98	5	IV	43.889
NBL	52+53	52+70	6	III	11.333
SBL	52+83	53+35	10	IV	57.778
NBL	53+17	53+35	6	III	12
NBL	53+56	53+86	6	III	20
				TOTAL CLASS III	108.6
				TOTAL CLASS IV	281.33

STRUCTURAL DESIGN TRAFFIC		YEAR 2019
PV = 396	SU = 40	MU = 14
CLASSIFICATION: MAJOR COLLECTOR		
PERCENT OF STRUCTURAL DESIGN TRAFFIC IN DESIGN LANE		
P = 88	S = 9	M = 3
TRAFFIC FACTOR	TF = 0.057	
PG GRADE	BINDER =	64-22
	SURFACE =	64-22
IBR = 3		

HOT-MIX ASPHALT MIXTURE REQUIREMENTS	
MIXTURE TYPE	AIR VOIDS @ NDES
HOT-MIX ASPHALT SURFACE COURSE, MIX "C", N50 (IL 9.5 mm)	4% @ 70 GYR.
LEVELING BINDER (MACHINE METHOD), N50 (IL 9.5 mm)	3.5% @ 70 GYR.
CLASS D PATCHES (HMA BINDER IL-19 mm)	4% @ 70 GYR.