

STATE OF ILLINOIS
DEPARTMENT OF TRANSPORTATION

PROPOSED
HIGHWAY PLANS

ROUTE FAP 301 (US 20)
SECTION D2 PP 2024-01
PATCHING
JO DAVIESS COUNTY

F.A.P. RTE.	SECTION	COUNTY	TOTAL SHEETS	SHEET NO.
301	D2 PP 2024-01	JO DAVIESS	10	1
		ILLINOIS	CONTRACT NO. 64S55	

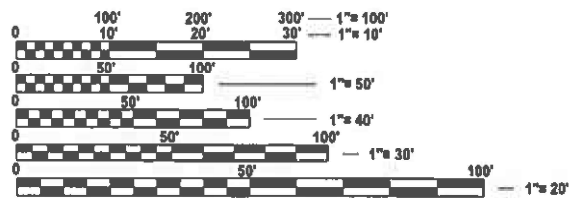
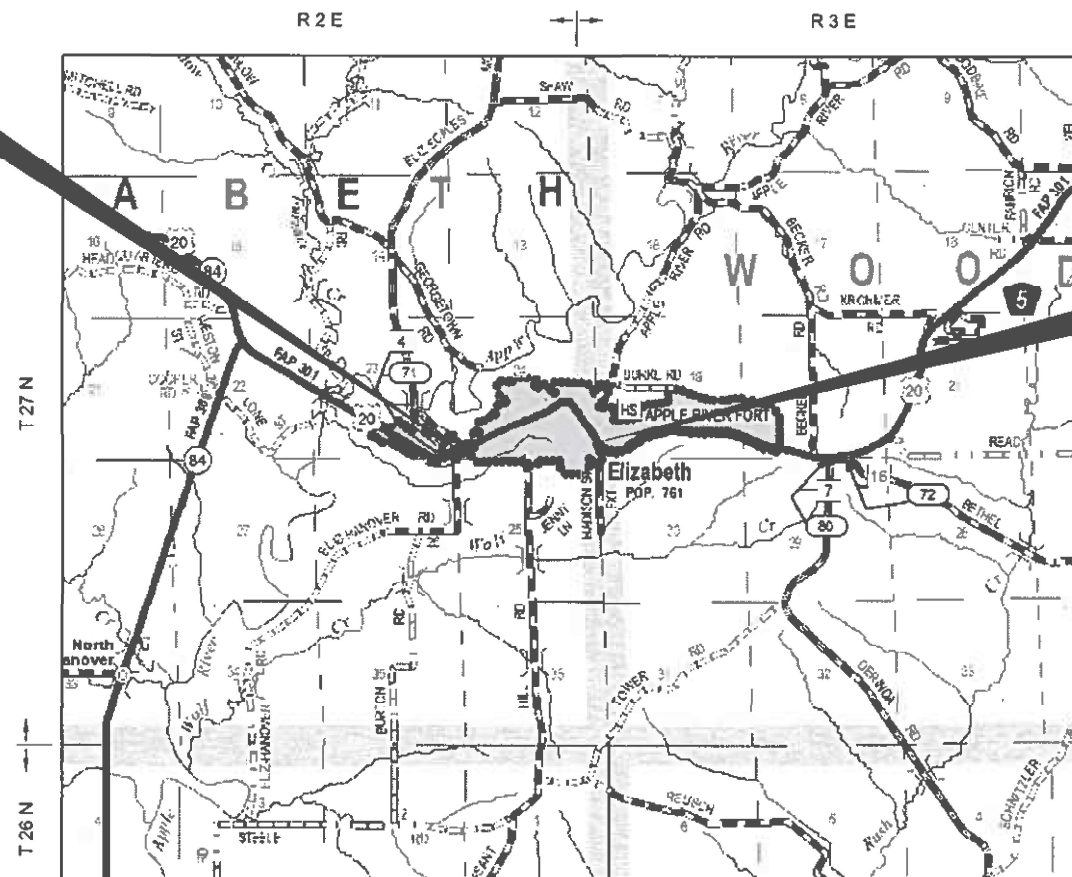
P-92-020-24



C-92-122-23

PROJECT BEGINS
SCALES MOUND RD.

PROJECT ENDS
EAST ST.



FULL SIZE PLANS HAVE BEEN PREPARED USING STANDARD ENGINEERING SCALES. REDUCED SIZED PLANS WILL NOT CONFORM TO STANDARD SCALES. IN MAKING MEASUREMENTS ON REDUCED PLANS, THE ABOVE SCALES MAY BE USED.

J.U.L.I.E.
JOINT UTILITY LOCATION INFORMATION FOR EXCAVATION
1-800-892-0123
OR 811

GROSS LENGTH = 6,864 FT. = 1.3 MILE
NET LENGTH = 6,864 FT. = 1.3 MILE

STATE OF ILLINOIS
DEPARTMENT OF TRANSPORTATION

SUBMITTED Jan 26 2024
Stephen M. Traviato
REGIONAL ENGINEER

March 22, 2024
[Signature]
ENGINEER OF DESIGN AND ENVIRONMENT

March 22, 2024
[Signature]
DIRECTOR OF HIGHWAYS PROJECT IMPLEMENTATION

PRINTED BY THE AUTHORITY
OF THE STATE OF ILLINOIS

INDEX OF SHEETS

- 1 COVER SHEET
- 2 INDEX OF SHEETS, STANDARDS, GENERAL NOTES
- 3 SUMMARY OF QUANTITIES
- 4 SCHEDULE OF QUANTITIES
- 5 TYPICAL SECTIONS
- 6-10 STANDARDS

GENERAL NOTES

ALL BORROW/WASTE/USE SITES MUST BE APPROVED BY THE DEPARTMENT PRIOR TO REMOVING ANY MATERIAL FROM THE PROJECT OR INITIATING ANY EARTHMOVING ACTIVITIES, INCLUDING TEMPORARY STOCKPILING OUTSIDE THE LIMITS OF CONSTRUCTION.

WHEN LAYING OUT FOR PATCHING, THE MINIMUM DISTANCE BETWEEN NEW PATCHES (SAW CUT TO SAW CUT) SHALL BE 15 FEET. WHEN PATCH SPACING IS LESS THAN 15 FEET, THE PAVEMENT BETWEEN PATCHES SHALL ALSO BE REMOVED AND REPLACED.

HIGHWAY STANDARDS

- 442201-03 CLASS C AND D PATCHES
- 701006-05 OFF-RD OPERATIONS, 2L, 2W, 15' (4.5 m) TO 24" (600 mm) FROM PAVEMENT EDGE
- 701301-04 LANE CLOSURE, 2L, 2W, SHORT TIME OPERATIONS
- 701311-03 LANE CLOSURE, 2L, 2W, MOVING OPERATIONS - DAY ONLY
- 701501-06 URBAN LANE CLOSURE, 2L, 2W, UNDIVIDED
- 701901-09 TRAFFIC CONTROL DEVICES
- 720011-01 METAL POST FOR SIGNS, MARKERS AND DELINEATORS
- 728001-01 TELESCOPING STEEL SIGN SUPPORT
- 729001-01 APPLICATIONS OF TYPES A AND B METAL POST (FOR SIGNS & MARKERS)

DISTRICT STANDARDS

- 34.1 WORK ZONE SIGN DETAILS
- 94.2 TRAFFIC CONTROL AND PROTECTION AT TURN BAYS (TO REMAIN OPEN TO TRAFFIC)
- 97.4 SUBGRADE IMPROVEMENT

MODEL: D2_SUIT_NEXY
FILE NAME: \\ibpcpcw.kentky.com\PM\DOT\Documents\DOT Office\District 2\CRD Project\Operations\Maintenance Section\Dan_Tobin\Jo_Davies\Operations\Contract_Maintenance\FY_2024\64S55-02_Index_Sheets.dgn

<table border="1" style="width: 100%; border-collapse: collapse;"> <tr> <td>USER NAME = Nicholas.Vock</td> <td>DESIGNED -</td> <td>REVISED -</td> </tr> <tr> <td>PLOT SCALE = 0.1667" / 1in.</td> <td>DRAWN -</td> <td>REVISED -</td> </tr> <tr> <td>PLOT DATE = 1/25/2024</td> <td>CHECKED -</td> <td>REVISED -</td> </tr> <tr> <td></td> <td>DATE -</td> <td>REVISED -</td> </tr> </table>	USER NAME = Nicholas.Vock	DESIGNED -	REVISED -	PLOT SCALE = 0.1667" / 1in.	DRAWN -	REVISED -	PLOT DATE = 1/25/2024	CHECKED -	REVISED -		DATE -	REVISED -	STATE OF ILLINOIS DEPARTMENT OF TRANSPORTATION	INDEX OF SHEETS & HIGHWAY STANDARDS	<table border="1" style="width: 100%; border-collapse: collapse;"> <tr> <th>F.A.P RTE.</th> <th>SECTION</th> <th>COUNTY</th> <th>TOTAL SHEETS</th> <th>SHEET NO.</th> </tr> <tr> <td>301</td> <td>D2 PP 2024-01</td> <td>JO DAVIESS</td> <td>10</td> <td>2</td> </tr> <tr> <td colspan="5" style="text-align: right;">CONTRACT NO. 64S55</td> </tr> <tr> <td colspan="5" style="text-align: right;">ILLINOIS FED. AID PROJECT</td> </tr> </table>	F.A.P RTE.	SECTION	COUNTY	TOTAL SHEETS	SHEET NO.	301	D2 PP 2024-01	JO DAVIESS	10	2	CONTRACT NO. 64S55					ILLINOIS FED. AID PROJECT				
USER NAME = Nicholas.Vock	DESIGNED -	REVISED -																																	
PLOT SCALE = 0.1667" / 1in.	DRAWN -	REVISED -																																	
PLOT DATE = 1/25/2024	CHECKED -	REVISED -																																	
	DATE -	REVISED -																																	
F.A.P RTE.	SECTION	COUNTY	TOTAL SHEETS	SHEET NO.																															
301	D2 PP 2024-01	JO DAVIESS	10	2																															
CONTRACT NO. 64S55																																			
ILLINOIS FED. AID PROJECT																																			
		SCALE:	SHEET OF SHEETS	STA. TO STA.																															

SUMMARY OF QUANTITIES				CONSTR. CODE
				100% STATE
CODE NO.	ITEM	UNIT	TOTAL QUANTITY	NONE
				0006
				S.N.
30300001	AGGREGATE SUBGRADE IMPROVEMENT	CU YD	397	397
44201789	CLASS D PATCHES, TYPE II, 12 INCH	SQ YD	307	307
44201794	CLASS D PATCHES, TYPE III, 12 INCH	SQ YD	440	440
44201796	CLASS D PATCHES, TYPE IV, 12 INCH	SQ YD	1636	1636
67100100	MOBILIZATION	L SUM	1	1
70102620	TRAFFIC CONTROL AND PROTECTION, STANDARD 701501	L SUM	1	1
70103815	TRAFFIC CONTROL SURVEILLANCE	CAL DA	10	10
Z0028415	GEOTECHNICAL REINFORCEMENT	SQ YD	2383	2383

MODEL: D2_SUF_S00
 FILE NAME: I:\Projects\2024\44555 - Elzabeth patching\CAD\Drawings\44555-01-S00.dgn
 PROJECT: 2024\44555 - Elzabeth patching
 CONTRACT: Maintenance FY 2024\44555 - Elzabeth patching
 DRAWING: 44555-01-S00.dgn

USER NAME = Nicholas.Vock	DESIGNED -	REVISED -	STATE OF ILLINOIS DEPARTMENT OF TRANSPORTATION	SUMMARY OF QUANTITIES			F.A.P. RTE.	SECTION	COUNTY	TOTAL SHEETS	SHEET NO.
PLOT SCALE = 0.1667" / in.	DRAWN -	REVISED -					301	D2 PP 2024-01	JO DAVIESS	10	
PLOT DATE = 1/25/2024	CHECKED -	REVISED -		SCALE: SHEET OF SHEETS STA. TO STA.			ILLINOIS FED. AID PROJECT		CONTRACT NO. 64S55		
	DATE -	REVISED -									

MODEL: D:_SMT_SCHEDULE
FILE NAME: I:\projects\Illinois\DOT\Office\District 2\CRD Projects\Operations\Maintenance Section\Dim Tables\Area Patches\Contract Maintenance\FY 2024\64S55 - Elizabeth patching\CAD\Drawings\64S55-04 - Schedule Sheet.dgn

STA	FIELD INPUT AREA		AREA OF PATCHES								
	LENGTH OF PATCH		TYPE 1		TYPE 2		TYPE 3		TYPE 4		
	WB LANE (ft)	EB LANE (ft)	WB LANE (yd ²)	EB LANE (yd ²)	WB LANE (yd ²)	EBLANE (yd ²)	WB LANE (yd ²)	EB LANE (yd ²)	WB LANE (yd ²)	EB LANE (yd ²)	
1483+53 start @ Scales Md. Rd.											
	15	15	-	-	-	-	-	20.0	20.0	-	-
	30	30	-	-	-	-	-	-	-	40.0	40.0
	26	26	-	-	-	-	-	-	-	34.7	34.7
	20	20	-	-	-	-	-	-	-	26.7	26.7
		50	-	-	-	-	-	-	-	-	66.7
	40	40	-	-	-	-	-	-	-	53.3	53.3
	25	25	-	-	-	-	-	-	-	33.3	33.3
	15		-	-	-	-	20.0	-	-	-	-
		5	-	-	-	6.7	-	-	-	-	-
	25	25	-	-	-	-	-	-	-	33.3	33.3
	50	50	-	-	-	-	-	-	-	66.7	66.7
	20	35	-	-	-	-	-	-	-	26.7	46.7
	10	10	-	-	13.3	13.3	-	-	-	-	-
	10	10	-	-	13.3	13.3	-	-	-	-	-
	10	10	-	-	13.3	13.3	-	-	-	-	-
	50	50	-	-	-	-	-	-	-	66.7	66.7
	30	30	-	-	-	-	-	-	-	40.0	40.0
	15	15	-	-	-	-	20.0	20.0	-	-	-
	20	20	-	-	-	-	-	-	-	26.7	26.7
	10	10	-	-	13.3	13.3	-	-	-	-	-
	15	15	-	-	-	-	20.0	20.0	-	-	-
	10	15	-	-	13.3	-	-	20.0	-	-	-
	15	30	-	-	-	-	20.0	-	-	40.0	-
	15	15	-	-	-	-	20.0	20.0	-	-	-
		15	-	-	-	-	-	20.0	-	-	-
	10		-	-	13.3	-	-	-	-	-	-
		10	-	-	-	13.3	-	-	-	-	-
		15	-	-	-	-	-	20.0	-	-	-
		30	-	-	-	-	-	-	-	40.0	-
	25		-	-	-	-	-	-	-	33.3	-
		15	-	-	-	-	-	20.0	-	-	-
	15	15	-	-	-	-	20.0	20.0	-	-	-
	25		-	-	-	-	-	-	-	33.3	-
	20		-	-	-	-	-	-	-	26.7	-
		10	-	-	-	13.3	-	-	-	-	-
	20	20	-	-	-	-	-	-	-	26.7	26.7
		20	-	-	-	-	-	-	-	-	26.7
	60		-	-	-	-	-	-	-	80.0	-
		20	-	-	-	-	-	-	-	-	26.7
		40	-	-	-	-	-	-	-	-	53.3
	45		-	-	-	-	-	-	-	60.0	-
	25		-	-	-	-	-	-	-	33.3	-
		65	-	-	-	-	-	-	-	-	86.7
	30		-	-	-	-	-	-	-	40.0	-
		25	-	-	-	-	-	-	-	-	33.3
		10	-	-	-	13.3	-	-	-	-	-
	55		-	-	-	-	-	-	-	73.3	-
		40	-	-	-	-	-	-	-	-	53.3

STA	FIELD INPUT AREA		AREA OF PATCHES								
	LENGTH OF PATCH		TYPE 1		TYPE 2		TYPE 3		TYPE 4		
	WB LANE (ft)	EB LANE (ft)	WB LANE (yd ²)	EB LANE (yd ²)	WB LANE (yd ²)	EBLANE (yd ²)	WB LANE (yd ²)	EB LANE (yd ²)	WB LANE (yd ²)	EB LANE (yd ²)	
	20		-	-	-	-	-	-	-	26.7	-
		20	-	-	-	-	-	-	-	-	26.7
		15	-	-	-	-	-	20.0	-	-	-
	20		-	-	-	-	-	-	-	26.7	-
	10		-	-	13.3	-	-	-	-	-	-
	15		-	-	-	-	-	20.0	-	-	-
	70	5	-	-	-	6.7	-	-	-	93.3	-
		40	-	-	-	-	-	-	-	-	53.3
	40	40	-	-	-	-	-	-	-	53.3	53.3
		20	-	-	-	-	-	-	-	-	26.7
	25	25	-	-	-	-	-	-	-	33.3	33.3
	20		-	-	-	-	-	-	-	26.7	-
	10		-	-	13.3	-	-	-	-	-	-
	75	10	-	-	-	13.3	-	-	-	100.0	-
		20	-	-	-	-	-	-	-	-	26.7
		75	-	-	-	-	-	-	-	-	100.0
1550+10 End @ East st.			-	-	-	-	-	-	-	-	-
Total			0.0	0.0	146.7	160.0	200.0	240.0	1334.7	1301.3	

3030001 AGG SUBGRADE IMPROVEMENT

CU YDS.	LOCATION	OFFSET	REMARKS
397	1483+53 - 1550+10	LT/RT	AS NEEDED
397	TOTAL		AS SPECIFIED BY THE ENGINEER

Z0028415 GEOTECHNICAL REINFORCEMENT

SQ YDS	LOCATION	OFFSET	REMARKS
2383	1483+53 - 1550+10	LT/RT	AS NEEDED
2383	TOTAL		AS SPECIFIED BY THE ENGINEER

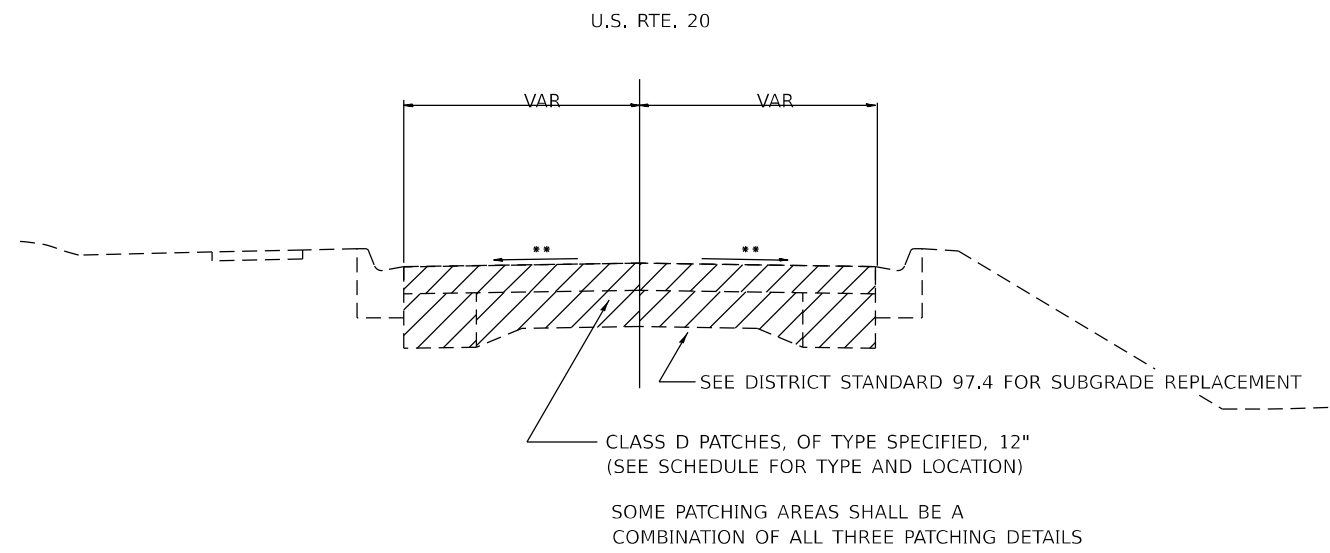
STATE OF ILLINOIS
DEPARTMENT OF TRANSPORTATION

SCHEDULE OF QUANTITIES

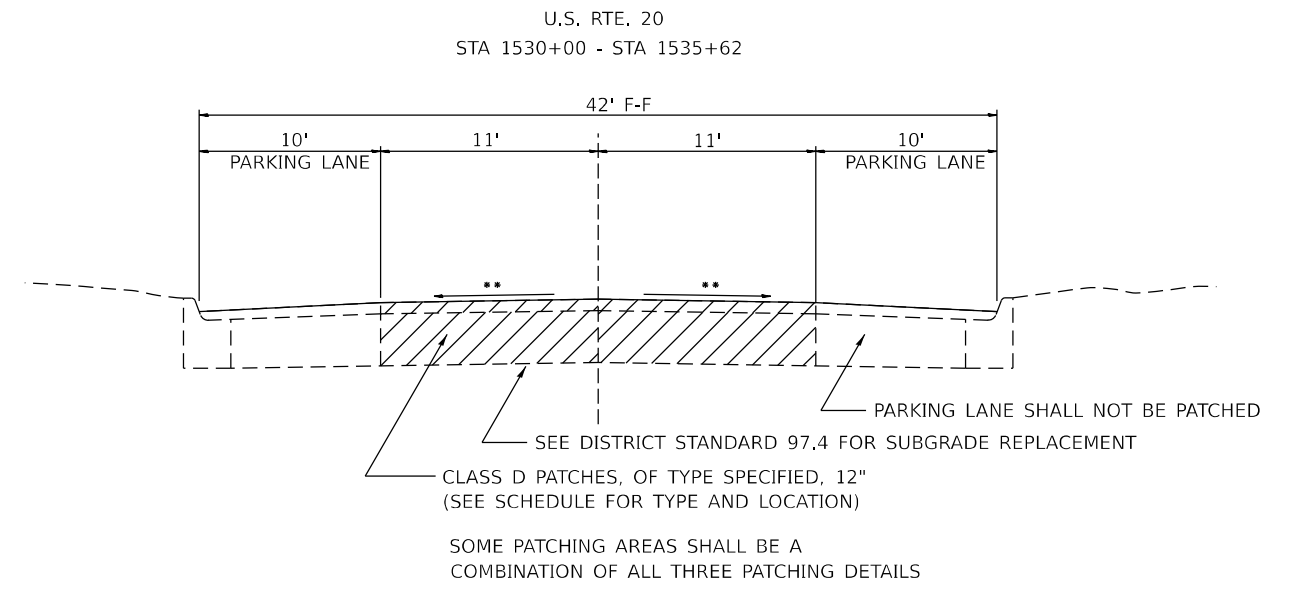
SCALE: SHEET OF SHEETS STA. TO STA.

F.A.P. RTE.	SECTION	COUNTY	TOTAL SHEETS	SHEET NO.
301			10	4
CONTRACT NO. 64S55				
ILLINOIS FED. AID PROJECT				

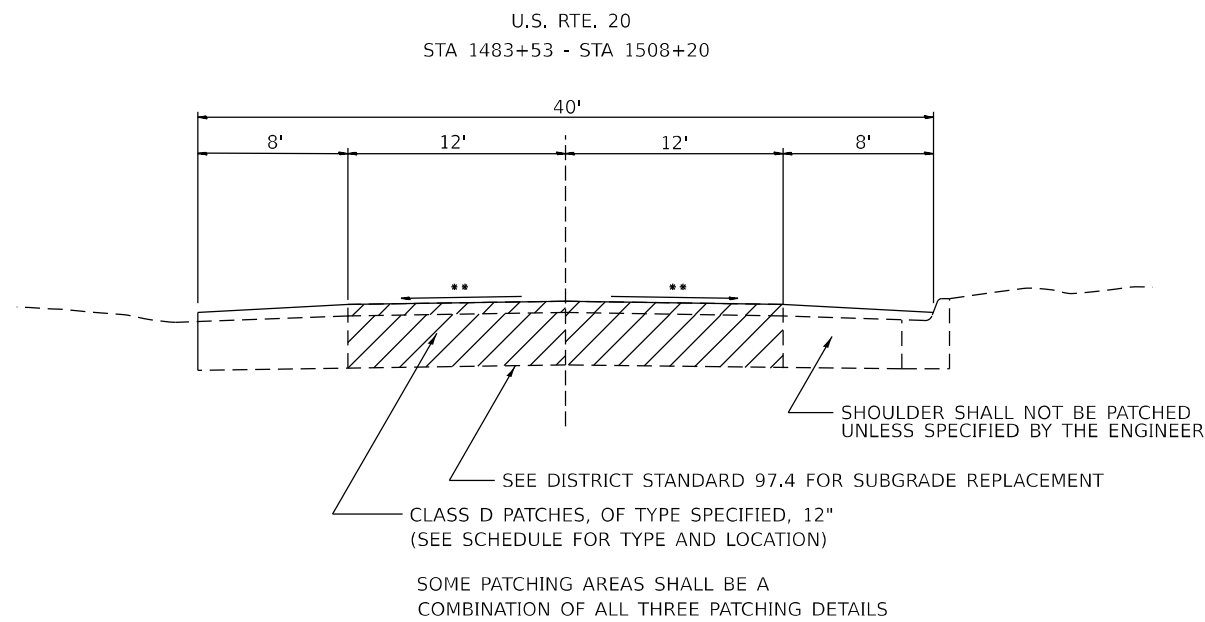
PATCHING DETAIL PATCHING ACROSS BOTH LANES



PATCHING DETAIL PARKING LANE SECTION



PATCHING DETAIL PARKING LANE SECTION



CLASS D PATCH SHALL CONSIST OF:
10" BINDER COURSE N70 (PLACED IN TWO LIFTS)
2" SURFACE COURSE MIX "D" N70

ALL SAW CUTS TO REMOVE PATCH AREA
SHALL BE VERTICAL AND FULL DEPTH

NOTE:
EXISTING PAVEMENT THICKNESS RANGES
FROM + 10" TO + 16"

** MAINTAIN EXISTING CROSS SLOPE

**STATE OF ILLINOIS
DEPARTMENT OF TRANSPORTATION**

**TYPICAL
SECTIONS**

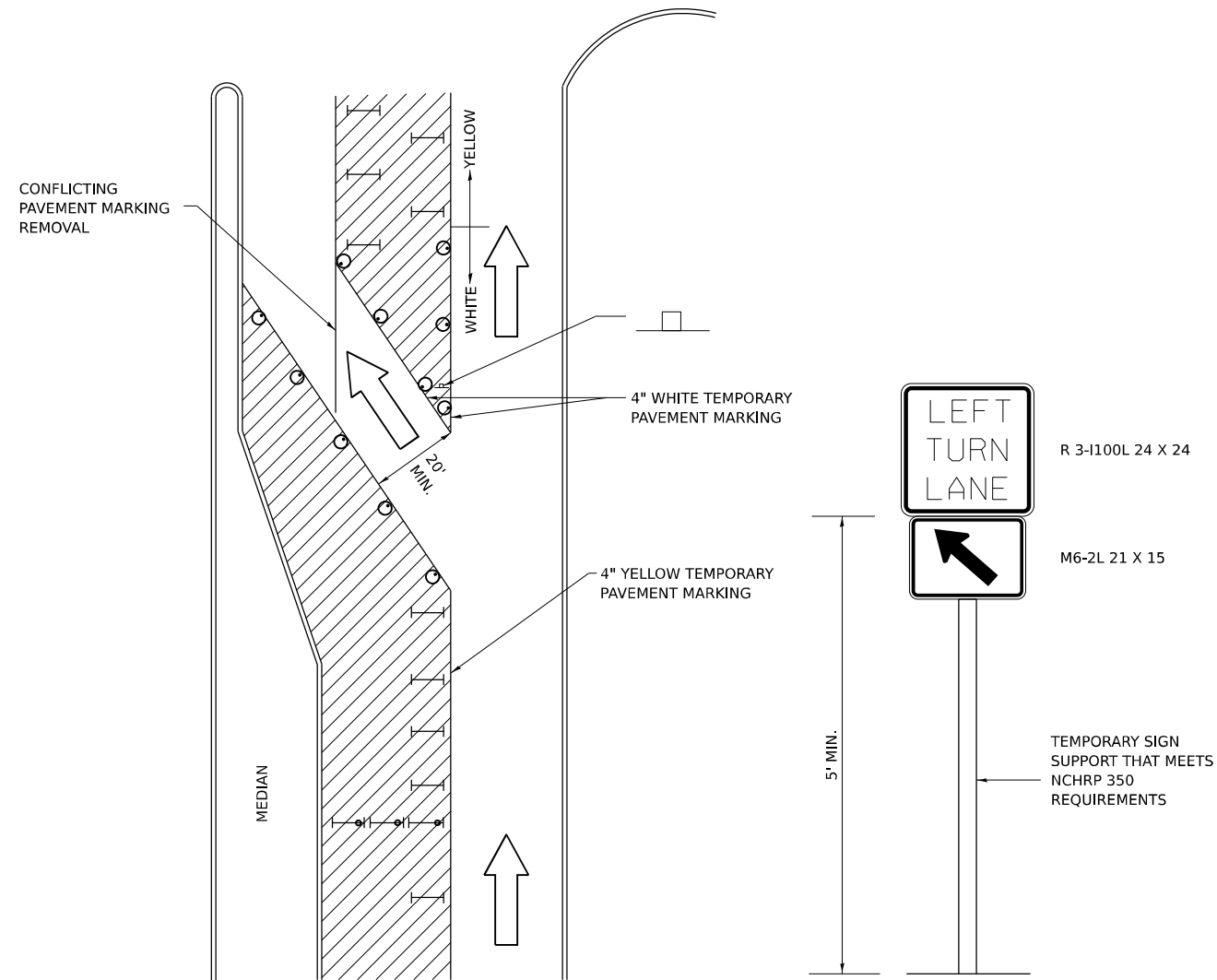
SCALE: SHEET OF SHEETS STA. TO STA.

F.A.P. RTE.	SECTION	COUNTY	TOTAL SHEETS	SHEET NO.
			10	5
CONTRACT NO. 64S55				
		ILLINOIS	FED. AID PROJECT	


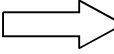
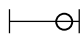



USER NAME = Nicholas,Vock	DESIGNED -	REVISED -
PLOT SCALE = 0.1667"/in.	DRAWN -	REVISED -
PLOT DATE = 1/25/2024	CHECKED -	REVISED -
	DATE -	REVISED -

MODEL: D:_SUF_B\SPRING_LOC
 FILE NAME: p:\projects\2024\64S55\64S55-05-Typical_Sheet.dgn
 PROJECT: 64S55 - Elizabeth
 CONTRACT: 64S55-05 - Typical_Sheet.dgn
 DATE: 1/25/2024

TRAFFIC CONTROL AND PROTECTION AT TURN BAYS (TO REMAIN OPEN TO TRAFFIC)



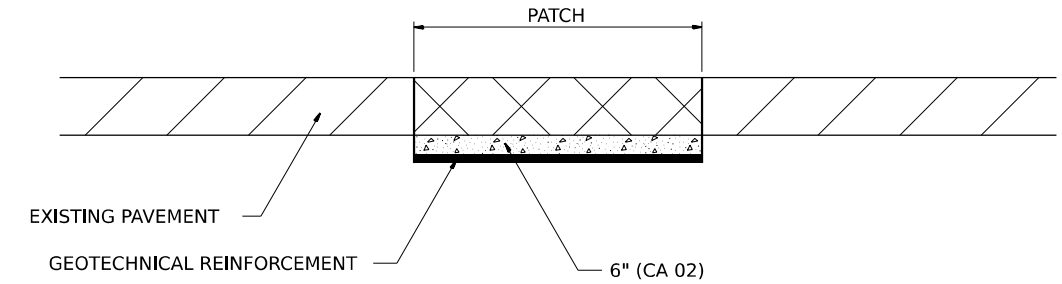
LEGEND

-  WORK AREA
-  LANE OPEN TO TRAFFIC
-  TYPE I OR II BARRICADE OR DRUM WITH FLASHING BURNING LIGHT
-  DRUM OR BARRICADE WITH STEADY BURN LIGHT
-  SIGN (SEE DETAIL)
-  TYPE I OR II CHECK BARRICADE WITH STEADY LIGHT BURN

GENERAL NOTES

- CONES MAY BE SUBSTITUTED FOR BARRICADES OR DRUMS AT HALF THE SPACING DURING DAY OPERATIONS. CONES SHALL BE A MINIMUM OF 28 IN HEIGHT.
- STEADY BURNING LIGHTS WILL NOT BE REQUIRED ON BARRICADES OR DRUMS FOR DAY OPERATIONS. ALL LIGHTS WILL BE MONODIRECTIONAL.
- TEMPORARY PAVEMENT MARKING SHALL BE PLACED THROUGHOUT THE BARRICADED AREA OF EACH BAY WHERE THE CLOSURE TIME IS GREATER THAN FOURTEEN DAYS.
- THIS APPLICATION ALSO APPLIES WHEN WORK IS BEING PERFORMED IN THE RIGHT LANE(S) AND THE RIGHT TURN BAY IS TO REMAIN OPEN. UNDER THIS CONDITION, "RIGHT TURN LANE" R3-100 24 X 24 AND M6-2R 21 X 15 SHALL BE USED.
- THESE CONTROLS SHALL SUPPLEMENT MAINLINE TRAFFIC CONTROL FOR LANE CLOSURES. LONGITUDINAL DIMENSIONS MAY BE ADJUSTED TO FIT FIELD CONDITIONS.
- TRAFFIC CONTROL AND PROTECTION AT TURN BAYS (TO REMAIN OPEN TO TRAFFIC) SHALL BE INCLUDED IN THE COST SPECIFIED TRAFFIC CONTROL STANDARDS OR ITEMS.
- ALL DIMENSIONS ARE IN INCHES UNLESS OTHERWISE NOTED.

SUBGRADE REPLACEMENT



NOTES:

THE CA 02 SHALL BE COMPACTED IN A MANNER APPROVED BY THE ENGINEER. IF THE MOISTURE CONTENT OF THE MATERIAL IS SUCH THAT COMPACTION SATISFACTORY TO THE ENGINEER CANNOT BE OBTAINED, SUFFICIENT WATER SHALL BE ADDED SO THAT SATISFACTORY COMPACTION CAN BE OBTAINED.

THE CA 02 SHALL BE PAID FOR AT THE CONTRACT UNIT PRICE PER CU YD FOR AGGREGATE SUBGRADE IMPROVEMENT WHICH SHALL ALSO INCLUDE ALL EARTH EXCAVATION.

THE GEOTECHNICAL REINFORCEMENT WILL BE PAID FOR AT THE CONTRACT UNIT PRICE PER SQ YD FOR GEOTECHNICAL REINFORCEMENT.

ALL DIMENSIONS ARE IN INCHES UNLESS OTHERWISE NOTED.

REVISED - 3-13-13

SUBGRADE REPLACEMENT 97.4

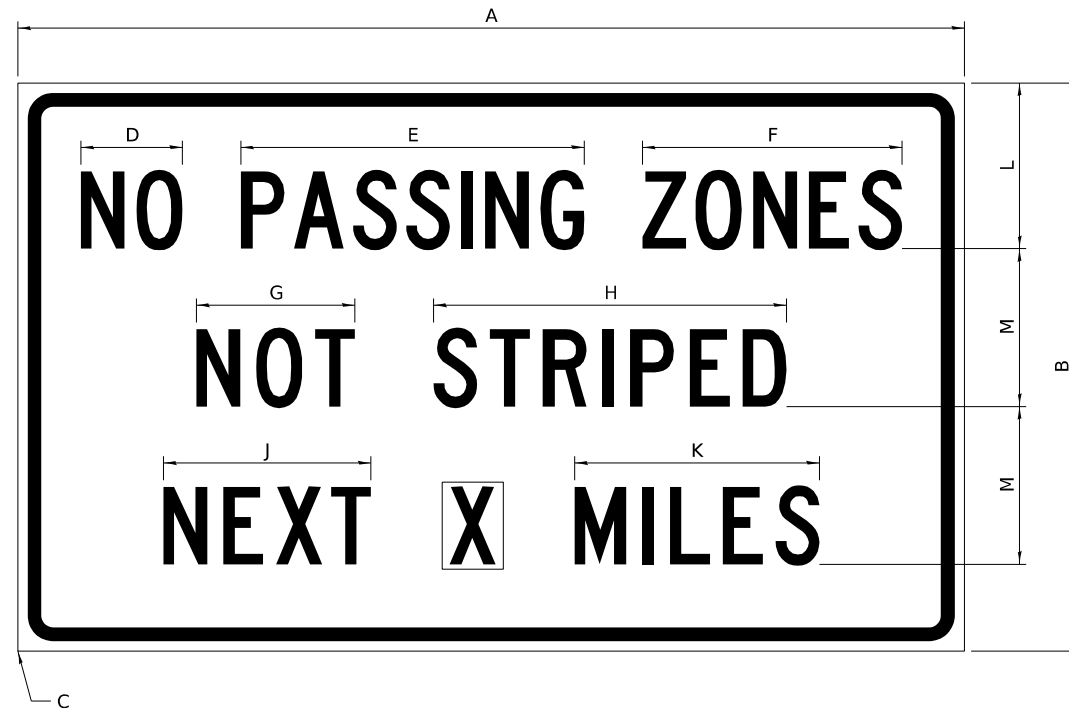
MODEL: SHT_PLAN
FILE NAME: C:\Bentley\CONNECTION\1011\Organization\Chilidot_Standards\Chilidot_Sheets.dwg
PLOT DATE: 12/2/2022

REVISED - 10-14-11

REVISED -	REGION 2 / DISTRICT 2 STANDARD	F.A.P. RTE.	SECTION	COUNTY	TOTAL SHEETS	SHEET NO.
REVISED -		301	D2 PP 2024-01	JO DAVIESS	10	6
REVISED -		CONTRACT NO. 64S55				
REVISED -		SCALE:	SHEET	OF	SHEETS	STA.

WORK ZONE SIGN DETAILS

ILLINOIS STANDARD G20-I100



COLOR LEGEND AND BORDER BACKGROUND BLACK ORANGE NON-REFLECTORIZED REFLECTORIZED

SIGN SIZE	DIMENSIONS											
	A	B	C	D	E	F	G	H	J	K	L	M
60 x 36	60.00	36.00	2.25	6.4	21.80	16.40	10.00	22.40	13.20	15.50	10.50	10.00

SIGN SIZE	SERIES BY LINE			MARGIN	BORDER
	1	2	3		
60 x 36	5C	5C	5C	0.625	0.875

Sign not to scale

GENERAL NOTES

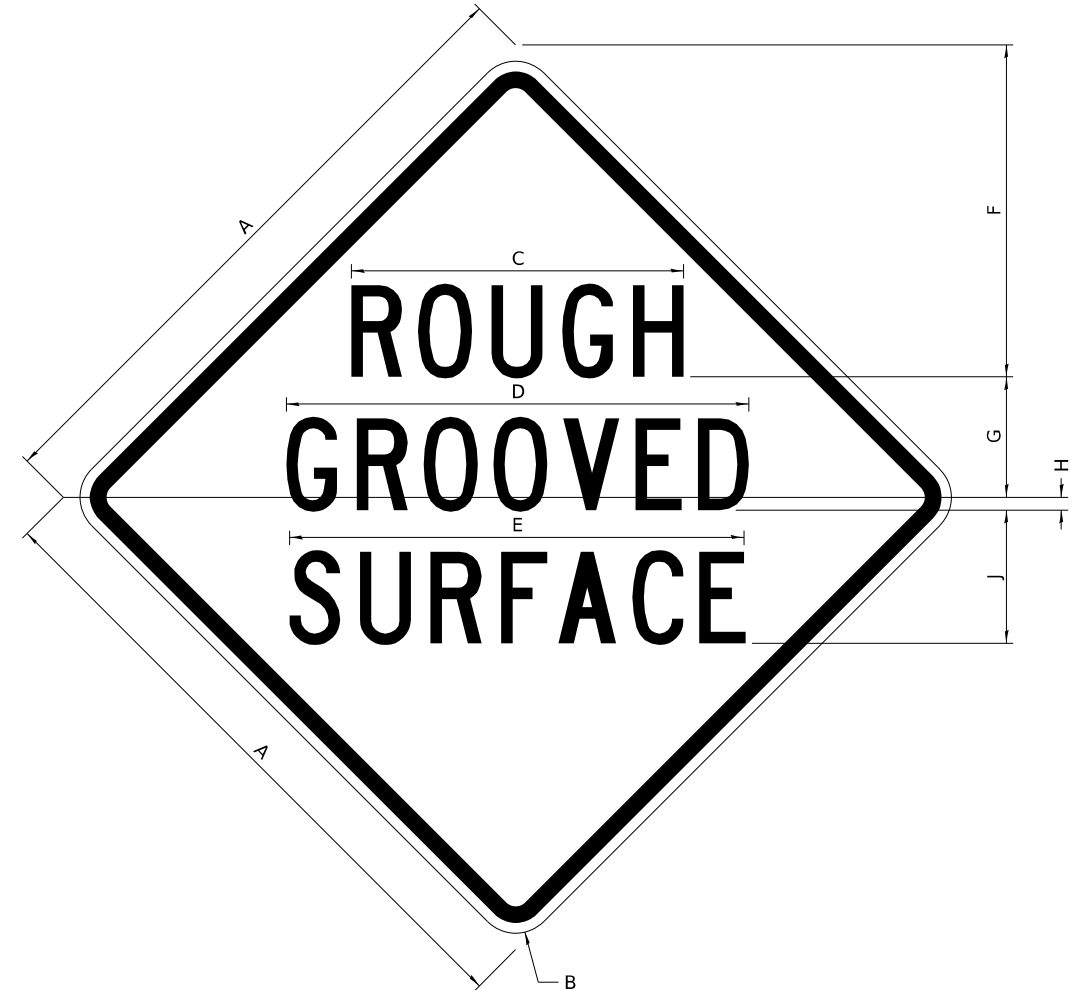
All work to furnish and install these signs shall be included in the cost of the specified traffic control standards and shall not be paid separately.

All Illinois Standard signs shall conform to the latest edition of the "Illinois Standard Highway Signs Book" in effect on the date of invitation for bids.

Signs shall meet the applicable portions of Sections 701 and 720 of the Standard Specifications.

All dimensions are in inches unless otherwise noted.

ILLINOIS STANDARD W8-I107



COLOR LEGEND AND BORDER BACKGROUND BLACK ORANGE NON-REFLECTORIZED REFLECTORIZED

SIGN SIZE	DIMENSIONS								
	A	B	C	D	E	F	G	H	J
48 x 48	48.00	3.00	25.00	34.80	34.20	24.94	9.00	1.00	10.00

SIGN SIZE	SERIES BY LINE			MARGIN	BORDER
	1	2	3		
48 x 48	7C	7C	7C	1.250	0.750

Sign not to scale

MODEL: 64S55-07
FILE NAME: P:\64S55-07\64S55-07.dwg
PROJECT: ILLINOIS STANDARD HIGHWAY SIGNS BOOK
DRAWN BY: NICHOLAS VOCK
CHECKED BY: NICHOLAS VOCK
DATE: 3-02-16
SCALE: 1/8" = 1'-0"

USER NAME = Nicholas,Vock	DESIGNED -	REVISED - 3-02-16
PLOT SCALE = 0.1667"/in.	DRAWN -	REVISED -
PLOT DATE = 1/25/2024	CHECKED -	REVISED -
	DATE -	REVISED -

**STATE OF ILLINOIS
DEPARTMENT OF TRANSPORTATION**

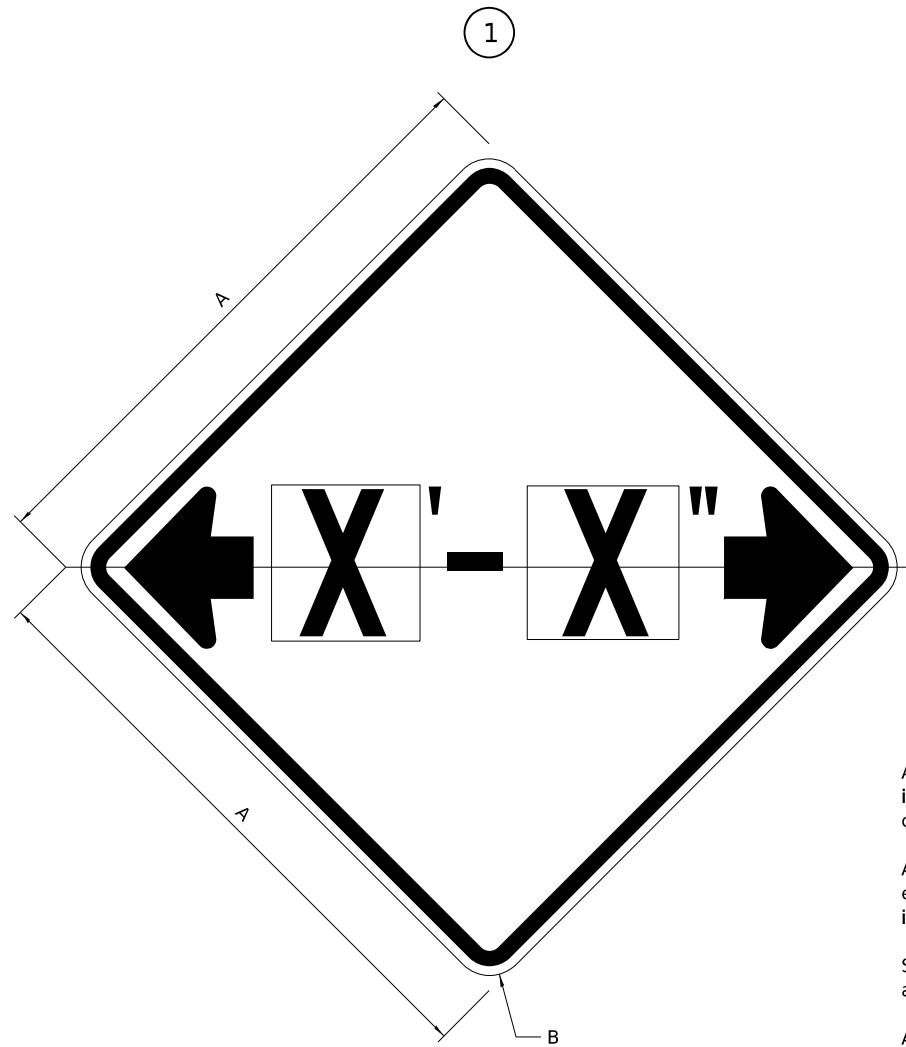
REGION 2 / DISTRICT 2 STANDARD

SCALE: SHEET OF SHEETS STA. TO STA.

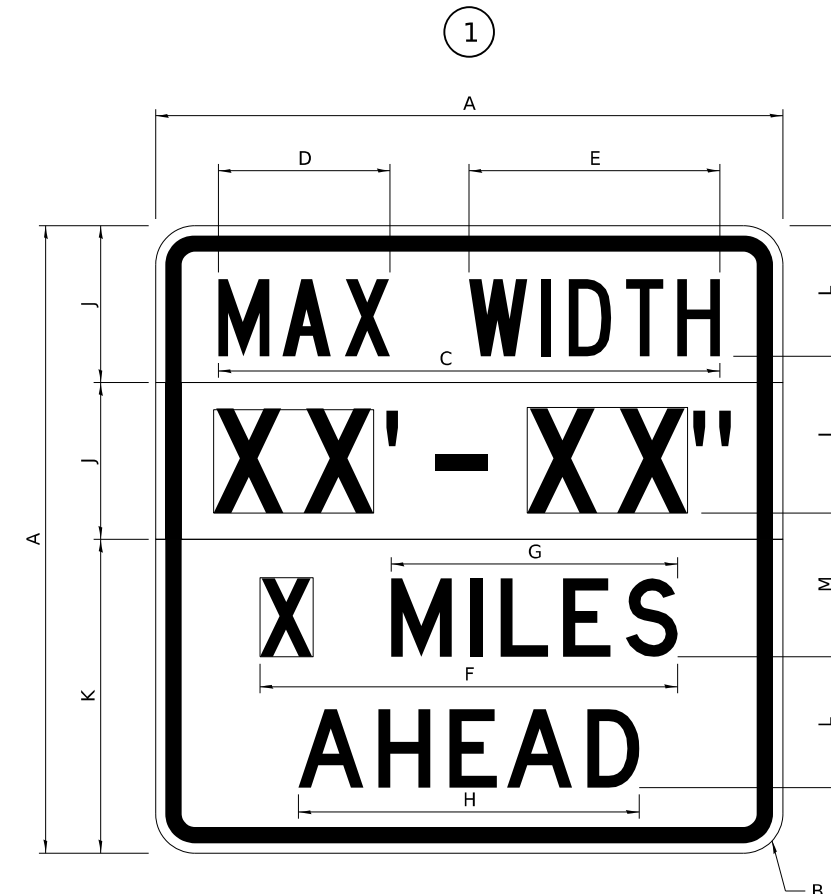
F.A.P. RTE.	SECTION	COUNTY	TOTAL SHEETS	SHEET NO.
301	D2 PP 2024-01	JO DAVIESS	10	7
CONTRACT NO. 64S55				
ILLINOIS FED. AID PROJECT				

WORK ZONE SIGN DETAILS

ILLINOIS STANDARD W12-I102



ILLINOIS STANDARD W12-I103



GENERAL NOTES

All work to furnish and install these signs shall be included in the cost of the specified traffic control standards and shall not be paid separately.

All Illinois Standard signs shall conform to the latest edition of the "Illinois Standard Highway Signs Book" in effect on the date of invitation for bids.

Signs shall meet the applicable portions of Sections 701 and 720 of the Standard Specifications.

All dimensions are in inches unless otherwise noted.

COLOR LEGEND AND BORDER BACKGROUND BLACK FL ORANGE NON-REFLECTORIZED REFLECTORIZED

SIGN SIZE	DIMENSIONS	
	A	B
48 x 48	48.00	3.00

① Illinois Standard signs W12-I102 and W12-I103 shall be used as described in the special provisions.

SIGN SIZE	SERIES BY LINE	MARGIN	BORDER
	1		
48 x 48	12C	0.750	1.250

Sign not to scale

COLOR LEGEND AND BORDER BACKGROUND (WIDTH) BLACK WHITE FL ORANGE NON-REFLECTORIZED REFLECTORIZED REFLECTORIZED

SIGN SIZE	DIMENSIONS											
	A	B	C	D	E	F	G	H	J	K	L	M
48 x 48	48.00	3.00	38.40	13.20	19.20	32.00	22.00	26.20	12.00	24.00	10.00	11.00

SIGN SIZE	SERIES BY LINE				MARGIN	BORDER
	1	2	3	4		
48 x 48	6C	8D	6D	6D	0.750	1.250

Sign not to scale

XX'-XX" WIDTH AND X MILES ARE VARIABLE TOP AND BOTTOM OF BACKGROUND WHITE

MODEL: SHT_PLAN
FILE NAME: C:\Bentley\CONNECT1011\Organization-Civil\IDOT_Standards\Civil\IDOT_Sheets.cad

USER NAME = Eric.Thomas	DESIGNED -	REVISED - 3-02-16
PLOT SCALE = 0.1667"/in.	DRAWN -	REVISED -
PLOT DATE = 12/7/2022	CHECKED -	REVISED -
	DATE -	REVISED -

STATE OF ILLINOIS
DEPARTMENT OF TRANSPORTATION

REGION 2 / DISTRICT 2 STANDARD

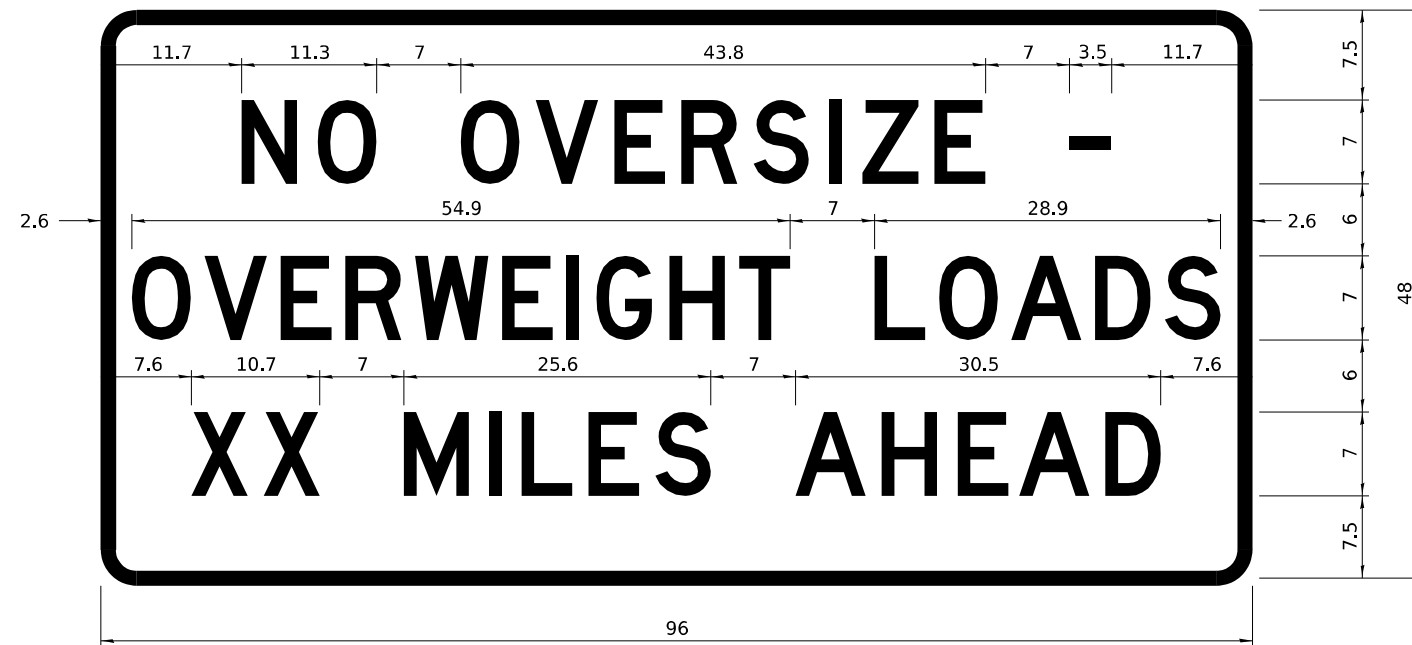
SCALE: SHEET OF SHEETS STA. TO STA.

F.A.P. RTE.	SECTION	COUNTY	TOTAL SHEETS	SHEET NO.
301	D2 PP 2024-01	JO DAVIESS	10	8
CONTRACT NO. 64S55				
ILLINOIS FED. AID PROJECT				

WORK ZONE SIGN DETAILS

ROAD CLOSED TO OVERSIZED LOADS

STOP LINE SIGN FOR TEMPORARY SIGNALS



COLOR	LEGEND AND BORDER BACKGROUND	BLACK ORANGE	NON-REFLECTORIZED REFLECTORIZED
-------	------------------------------	--------------	---------------------------------

COLOR	LEGEND AND BORDER BACKGROUND	BLACK WHITE	NON-REFLECTORIZED REFLECTORIZED
-------	------------------------------	-------------	---------------------------------

Permit Loads - Loads Over 13 Feet; 3.0" Radius, 1.3" Border;
 [NO OVERSIZE -] D; [OVERWEIGHT LOADS] D 85% spacing; [XX MILES AHEAD] D;
 Table of letter and object lefts.

SIGN SIZE	SERIES BY LINE		
	1	2	3
24 x 24	4C	4C	4C

N	O	O	V	E	R	S	I	Z	E	-
11.7	18.1	30.0	36.2	42.8	48.4	54.4	60.7	63.5	69.5	80.8

O	V	E	R	W	E	I	G	H	T	L	O	A	D	S
2.6	8.6	15.0	20.4	26.2	33.4	38.8	41.3	47.4	53.2	64.5	69.9	75.9	82.9	88.7

X	X	M	I	L	E	S	A	H	E	A	D
7.6	13.6	25.3	32.3	35.1	40.6	46.2	57.9	65.1	71.4	76.6	83.7

Sign not to scale

Sign not to scale

GENERAL NOTES

All work to furnish and install these signs shall be included in the cost of the specified traffic control standards and shall not be paid separately.

All Illinois Standard signs shall conform to the latest edition of the "Illinois Standard Highway Signs Book" in effect on the date of invitation for bids.

Signs shall meet the applicable portions of Sections 701 and 720 of the Standard Specifications.

All dimensions are in inches unless otherwise noted.

MODEL: SHT_PLAN
FILE NAME: C:\Bentley\CONNECT1011\Organization-Civil\DOT_Standards\Civil\DOT_Sheets.dwg

USER NAME = Eric.Thomas	DESIGNED -	REVISED - 3-02-16
	DRAWN -	REVISED -
PLOT SCALE = 0.1667"/in	CHECKED -	REVISED -
PLOT DATE = 12/7/2022	DATE -	REVISED -

STATE OF ILLINOIS
DEPARTMENT OF TRANSPORTATION

REGION 2 / DISTRICT 2 STANDARD

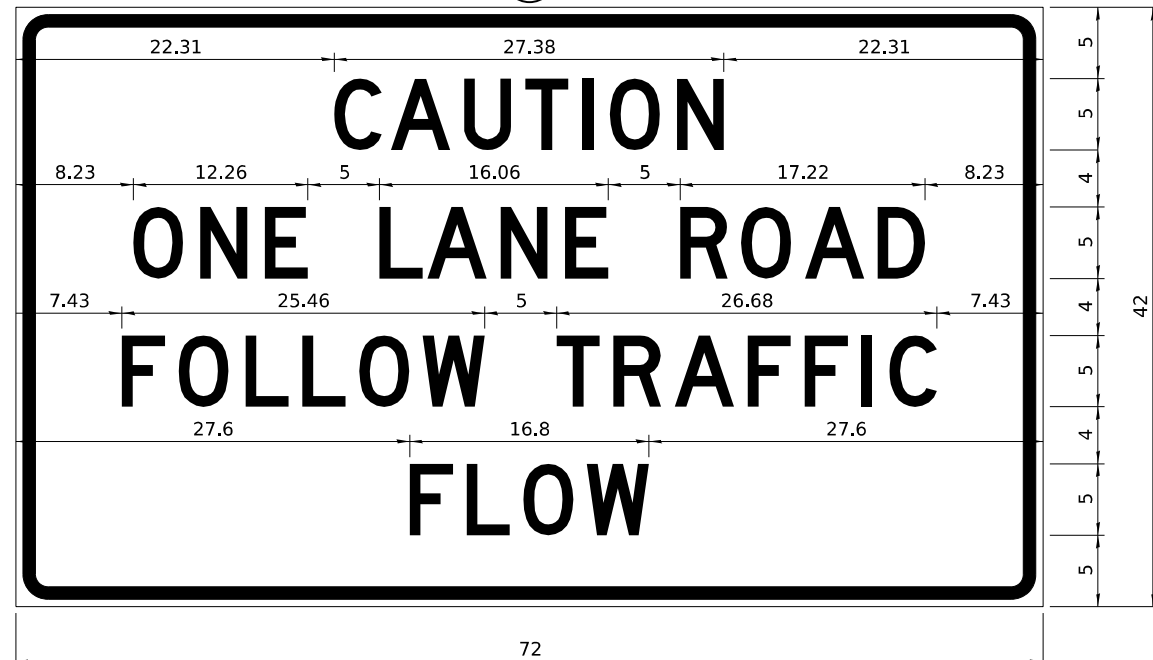
SCALE: SHEET OF SHEETS STA. TO STA.

F.A.P. RTE.	SECTION	COUNTY	TOTAL SHEETS	SHEET NO.
301	D2 PP 2024-01	JO DAVIESS	10	9
CONTRACT NO. 64S55				
ILLINOIS FED. AID PROJECT				

**ENTRANCE SIGN FOR USE
WITH TEMPORARY SIGNALS**

WORK ZONE SIGN DETAILS

2



COLOR LEGEND AND BORDER BACKGROUND BLACK ORANGE NON-REFLECTORIZED REFLECTORIZED

2.25" Radius, 0.88" Border, 0.50" Indent;
[CAUTION] D; [ONE LANE ROAD] D;
[FOLLOW TRAFFIC] D; [FLOW] D

2 This sign shall be installed at entrances located between the temporary signals as shown in the staging plans.

Table Of Widths And Spaces

22.31	C	3.36	0.62	A	4.18	0.94	U	3.36	0.94	T	3.04	0.94	I	0.78	1.17	O	3.52	1.17	N	3.36	22.31
-------	---	------	------	---	------	------	---	------	------	---	------	------	---	------	------	---	------	------	---	------	-------

8.23	O	3.51	1.17	N	3.36	1.18	E	3.04
------	---	------	------	---	------	------	---	------

5.00	L	3.05	0.31	A	4.18	0.94	N	3.36	1.17	E	3.05
------	---	------	------	---	------	------	---	------	------	---	------

5.00	R	3.36	0.93	O	3.52	0.94	A	4.18	0.93	D	3.36	8.23
------	---	------	------	---	------	------	---	------	------	---	------	------

7.43	F	3.04	0.94	O	3.52	1.17	L	3.04	0.94	L	3.05	0.94	O	3.51	0.94	W	4.37
------	---	------	------	---	------	------	---	------	------	---	------	------	---	------	------	---	------

5.00	T	3.05	0.94	R	3.36	0.94	A	4.18	0.93	F	3.05	0.94	F	3.04	0.94	I	0.78	1.18	C	3.35	7.43
------	---	------	------	---	------	------	---	------	------	---	------	------	---	------	------	---	------	------	---	------	------

27.60	F	3.05	0.94	L	3.04	0.94	O	3.52	0.93	W	4.38	27.60
-------	---	------	------	---	------	------	---	------	------	---	------	-------

Sign not to scale

GENERAL NOTES

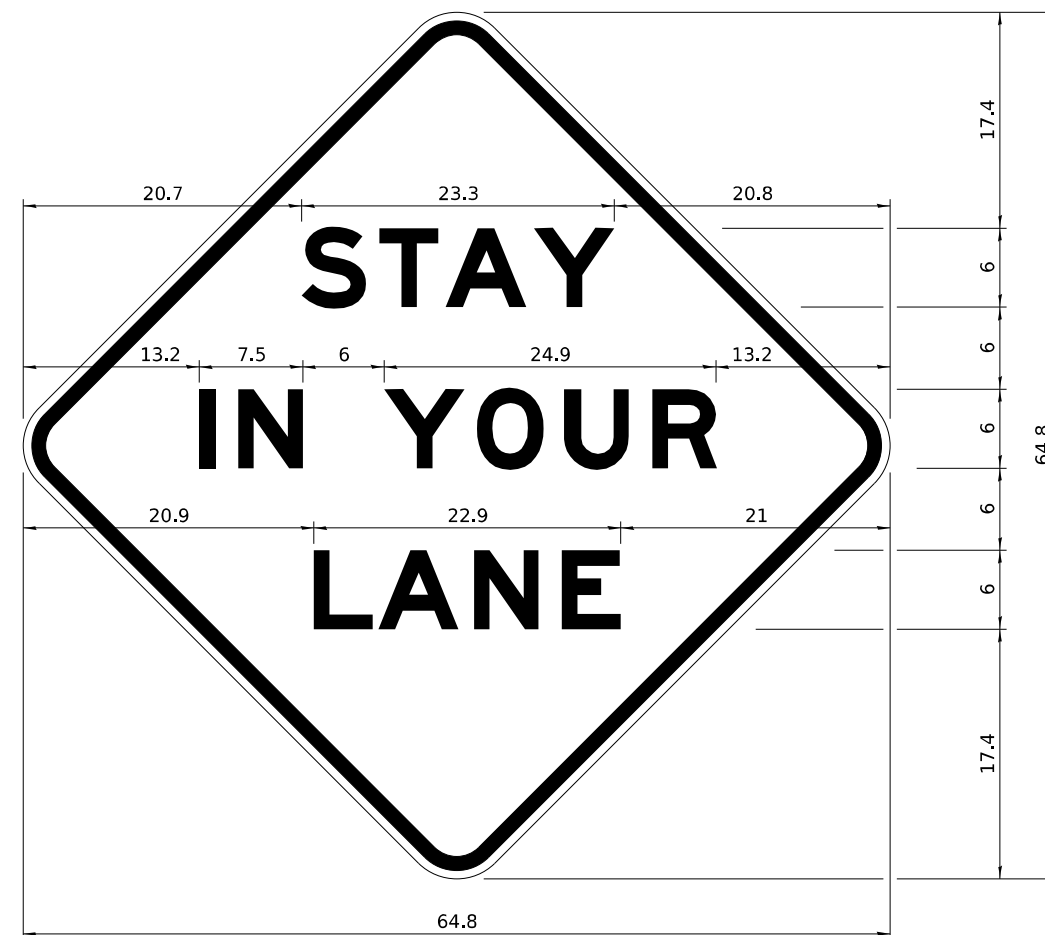
All work to furnish and install these signs shall be included in the cost of the specified traffic control standards and shall not be paid separately.

All Illinois Standard signs shall conform to the latest edition of the "Illinois Standard Highway Signs Book" in effect on the date of invitation for bids.

Signs shall meet the applicable portions of Sections 701 and 720 of the Standard Specifications.

All dimensions are in inches unless otherwise noted.

STAY IN YOUR LANE



COLOR LEGEND AND BORDER BACKGROUND BLACK ORANGE NON-REFLECTORIZED REFLECTORIZED

48.0" across sides 3.8" Radius, 1.0" Border, 0.6" Indent;
"STAY" E Mod; "IN YOUR" E Mod; "LANE" E Mod;

Table of Letter and Object Lefts

S	T	A	Y
20.7	26.8	31.6	38.0

I	N	Y	O	U	R
13.2	15.9	26.7	33.9	40.5	46.8

L	A	N	E
20.9	25.8	33.1	39.4

Sign not to scale

MODEL: SHT_PLAN
FILE NAME: C:\Bentley\CONNECT1011\Organization\Civil\IDOT_Standards\Civil\IDOT_Sheets.dwg

USER NAME = Eric.Thomas	DESIGNED -	REVISED - 3-02-16
	DRAWN -	REVISED -
PLOT SCALE = 0.1667"/in	CHECKED -	REVISED -
PLOT DATE = 12/7/2022	DATE -	REVISED -

**STATE OF ILLINOIS
DEPARTMENT OF TRANSPORTATION**

REGION 2 / DISTRICT 2 STANDARD

SCALE: SHEET OF SHEETS STA. TO STA.

F.A.P. RTE.	SECTION	COUNTY	TOTAL SHEETS	SHEET NO.
301	D2 PP 2024-01	JO DAVIESS	10	10
CONTRACT NO. 64S55				
ILLINOIS FED. AID PROJECT				