

STATE OF ILLINOIS  
DEPARTMENT OF TRANSPORTATION

F.A.P. RTE.	SECTION	COUNTY	TOTAL SHEETS	SHEET NO.
805	(127, 128)RS-3, PP	CLINTON	8	1
		ILLINOIS	CONTRACT NO. 76T32	

FOR INDEX OF SHEETS, SEE SHEET NO. 2

PROPOSED  
HIGHWAY PLANS

FAP ROUTE 805 (IL 161)  
SECTION (127, 128)RS-3, PP  
SMART OVERLAY, PATCHING - CM  
CLINTON COUNTY

C-98-089-23

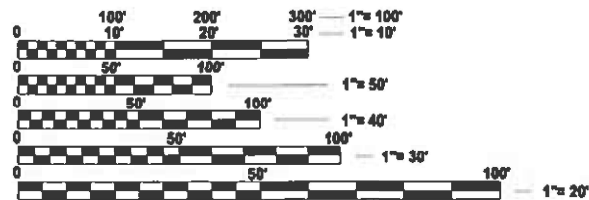
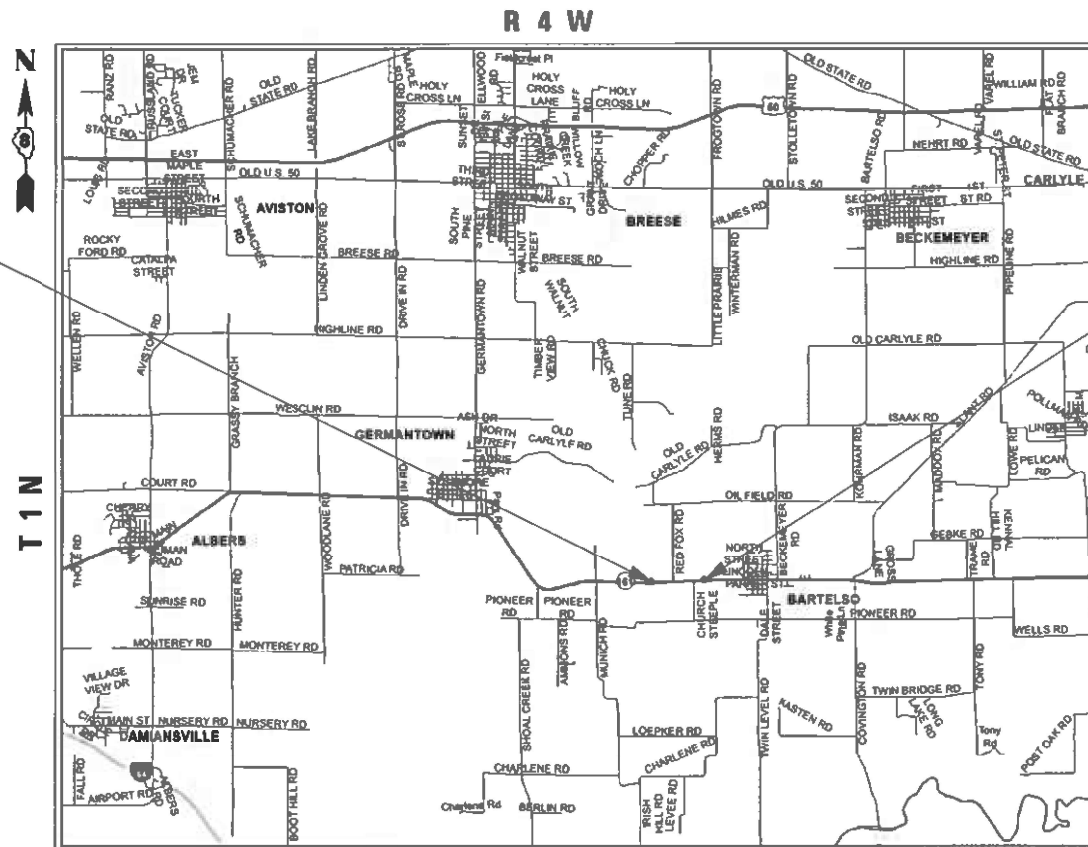


LOCATION OF SECTION INDICATED THUS: - [shaded box] -

FUNCTIONAL CLASSIFICATION  
MINOR ARTERIAL  
2021 ADT=4400 (ACTUAL)  
2024 ADT=4500 (ESTIMATED)  
2044 ADT=5200 (ESTIMATED)  
SU = 3.2% MU = 4.5%

BEGIN PROJECT  
0.3 MILE W OF  
RED FOX RD  
STA. 1537 + 08  
LAT: 38.536113  
LONG: -89.494223

END PROJECT  
0.1 MILE E OF CHURCH  
STEEPLE RD  
STA. 1575 + 42  
LAT: 38.536432  
LONG: -89.482510



FULL SIZE PLANS HAVE BEEN PREPARED USING STANDARD ENGINEERING SCALES. REDUCED SIZED PLANS WILL NOT CONFORM TO STANDARD SCALES. IN MAKING MEASUREMENTS ON REDUCED PLANS, THE ABOVE SCALES MAY BE USED.

J.U.L.I.E.  
JOINT UTILITY LOCATION INFORMATION FOR EXCAVATION  
1-800-892-0123  
OR 811

PROJECT ENGINEER CHERYL KEPLAR  
PROJECT MANAGER EDISON ZOHFONYI

CONTRACT NO. 76T32

GROSS LENGTH = 3834 FT. = 0.73 MILE  
NET LENGTH = 3834 FT. = 0.73 MILE

STATE OF ILLINOIS  
DEPARTMENT OF TRANSPORTATION

SUBMITTED *Wed 12 20 24*  
*K. B. [Signature]* REGIONAL ENGINEER  
March 22, 2024  
*Steph M. [Signature]* ENGINEER OF DESIGN AND ENVIRONMENT  
March 22, 2024  
*Steph M. [Signature]* DIRECTOR OF HIGHWAYS PROJECT IMPLEMENTATION

PRINTED BY THE AUTHORITY  
OF THE STATE OF ILLINOIS

## INDEX OF SHEETS

- 1 COVER SHEET
- 2 INDEX OF SHEETS, HIGHWAY STANDARDS, GENERAL NOTES, MIXTURE REQUIREMENT AND COMMITMENTS
- 3-4 SUMMARY OF QUANTITIES
- 5 TYPICAL SECTIONS
- 6-7 SCHEDULE OF QUANTITIES
- 8 LOCATION MAP

## HIGHWAY STANDARDS

000001-08  
 001006 420001-10  
 442201-03 420701-03  
 701006-05  
 701011-04  
 701201-05  
 701301-04  
 701306-04  
 701311-03  
 701501-06  
 701901-09  
 780001-05  
 781001-04

## GENERAL NOTES

1. UTILITIES KNOWN TO HAVE FACILITIES WITHIN THE PROJECT AREA:  
 CARLYLE SOUTHWEST PUBLIC WATER DISTRICT  
 CLINTON COUNTY ELECTRIC COOPERATIVE, INC.  
 FRONTIER COMMUNICATION  
 WINDSTREAM KDL, INC
2. NO SURVEY WAS PERFORMED FOR THIS PROJECT AND THE PLANS WERE CREATED USING MICROFILM AND FIELD MEASUREMENTS.
3. THE PROPOSED PAVEMENT MARKING SHALL MATCH THE LOCATIONS OF THE EXISTING PAVEMENT MARKING, AS DIRECTED BY THE ENGINEER.
4. TWO CHANGEABLE MESSAGE SIGNS SHALL BE REQUIRED FOR THIS PROJECT. THEY SHALL BE PLACED TWO WEEKS PRIOR TO ANY LANE CLOSURE AND SHALL REMAIN UP FOR THE DURATION OF THE PROJECT. THE CHANGEABLE MESSAGE SIGNS SHALL BE PLACED ALONG IL 161 OR AT THE DIRECTION OF THE ENGINEER.
5. ONLY SHORT TERM PAVEMENT MARKING REMOVAL FROM THE FINAL SURFACE SHALL BE PAID FOR AS "SHORT TERM PAVEMENT MARKING REMOVAL."
6. THE TEMPORARY RAMP USED ON ALL SIDE STREETS AND ENTRANCES SHALL BE 3 FEET IN LENGTH SO AS NOT TO INTERFERE WITH THE THRU TRAFFIC LANES.

## COMMITMENTS

NONE

MIXTURE REQUIREMENTS	
MIXTURE USE	SURFACE
AC/PG	PG 64-22
DESIGN AIR VOIDS	4.0% @ Ndes=70
MIX COMPOSITION (GRADATION)	IL 9.5
FRICTION AGG	MIXTURE "C"
QUALITY MGMT PROGRAM	QCQA
MatTranDev Required?	no

REV. - MS

MODEL: Gen Notes-1 [Sheet]  
 FILE NAME: c:\pwworking\illinois.gov\edison.zohforny@illinois.gov\d0894674\0876732-shl-gennote.dgn

USER NAME = edison.zohforny	DESIGNED -	REVISED -
	DRAWN -	REVISED -
PLOT SCALE = 0.16666633' / in.	CHECKED -	REVISED -
PLOT DATE = 12/12/2023	DATE -	REVISED -

**STATE OF ILLINOIS  
DEPARTMENT OF TRANSPORTATION**

**INDEX OF SHEETS, HIGHWAY STANDARDS,  
GENERAL NOTES, MIXTURE REQUIREMENT AND COMMITMENTS**

SCALE: SHEET 1 OF 1 SHEETS STA. TO STA.

F.A.P. RTE.	SECTION	COUNTY	TOTAL SHEETS	SHEET NO.
805	(127, 128)RS-3,PP	CLINTON	8	2
CONTRACT NO. 76T32				
ILLINOIS   FED. AID PROJECT				

MODEL: SQ001 (Sheet)  
 FILE NAME: c:\p\work\project\illinois.gov\_edison.zohfanyi@d876732-shr-SQ001.dgn

CODE NO.	ITEM	UNIT	TOTAL QUANTITY	CONSTR. CODE
				100% STATE
				ROADWAY
				RURAL
40600290	BITUMINOUS MATERIALS (TACK COAT)	POUND	4984	4984
40600370	LONGITUDINAL JOINT SEALANT	FOOT	3834	3834
40600990	TEMPORARY RAMP	SQ YD	130	130
40604052	HOT-MIX ASPHALT SURFACE COURSE, IL-9.5, MIX "C", N70	TON	930	930
44000155	HOT-MIX ASPHALT SURFACE REMOVAL, 1 1/2"	SQ YD	11076	11076
44200050	WELDED WIRE REINFORCEMENT	SQ YD	1855	1855
44201377	CLASS C PATCHES, TYPE II, 12 INCH	SQ YD	108	108
44201381	CLASS C PATCHES, TYPE III, 12 INCH	SQ YD	116	116
44201383	CLASS C PATCHES, TYPE IV, 12 INCH	SQ YD	1740	1740
44213204	TIE BARS 3/4"	EACH	399	399
48102100	AGGREGATE WEDGE SHOULDER, TYPE B	TON	294	294
67100100	MOBILIZATION	L SUM	1	1
70100450	TRAFFIC CONTROL AND PROTECTION, STANDARD 701201	L SUM	1	1
70100460	TRAFFIC CONTROL AND PROTECTION, STANDARD 701306	L SUM	1	1

USER NAME = edison.zohfanyi	DESIGNED -	REVISED -
	DRAWN -	REVISED -
PLOT SCALE = 0.16666633' / in.	CHECKED -	REVISED -
PLOT DATE = 1/11/2024	DATE -	REVISED -

**STATE OF ILLINOIS  
 DEPARTMENT OF TRANSPORTATION**

**SUMMARY OF QUANTITIES**

SCALE: SHEET 1 OF 2 SHEETS STA. TO STA.

F.A.P RTE.	SECTION	COUNTY	TOTAL SHEETS	SHEET NO.
805	(127, 128)RS-3,PP	CLINTON	8	3
CONTRACT NO. 76T32				
ILLINOIS FED. AID PROJECT				

MODEL: SOQ2 [Sheet]  
 FILE NAME: c:\pr\_work\pwrtd\illinois.gov\_edison.zohfanyi@illinois.gov\d0894674\ID876732-shh-SOQ.dgn

				CONSTR. CODE	
				100% STATE	
CODE NO.	ITEM	UNIT	TOTAL QUANTITY	ROADWAY	
				0005	RURAL
70102620	TRAFFIC CONTROL AND PROTECTION, STANDARD 701501	L SUM	1	1	
70107025	CHANGEABLE MESSAGE SIGN	CAL DA	98	98	
70300100	SHORT TERM PAVEMENT MARKING	FOOT	370	370	
70300150	SHORT TERM PAVEMENT MARKING REMOVAL	SQ FT	63	63	
70300221	TEMPORARY PAVEMENT MARKING - LINE 4" - PAINT	FOOT	8638	8638	
* 78000300	THERMOPLASTIC PAVEMENT MARKING - LINE 5"	FOOT	8638	8638	
* 78100100	RAISED REFLECTIVE PAVEMENT MARKER	EACH	48	48	
78300200	RAISED REFLECTIVE PAVEMENT MARKER REMOVAL	EACH	48	48	
78300202	PAVEMENT MARKING REMOVAL - WATER BLASTING	SQ FT	2880	2880	
∅ Z0076604	TRAINEES TRAINING PROGRAM GRADUATE	HOUR	500	500	

\* SPECIALTY ITEM

∅ 0042

REV. - MS

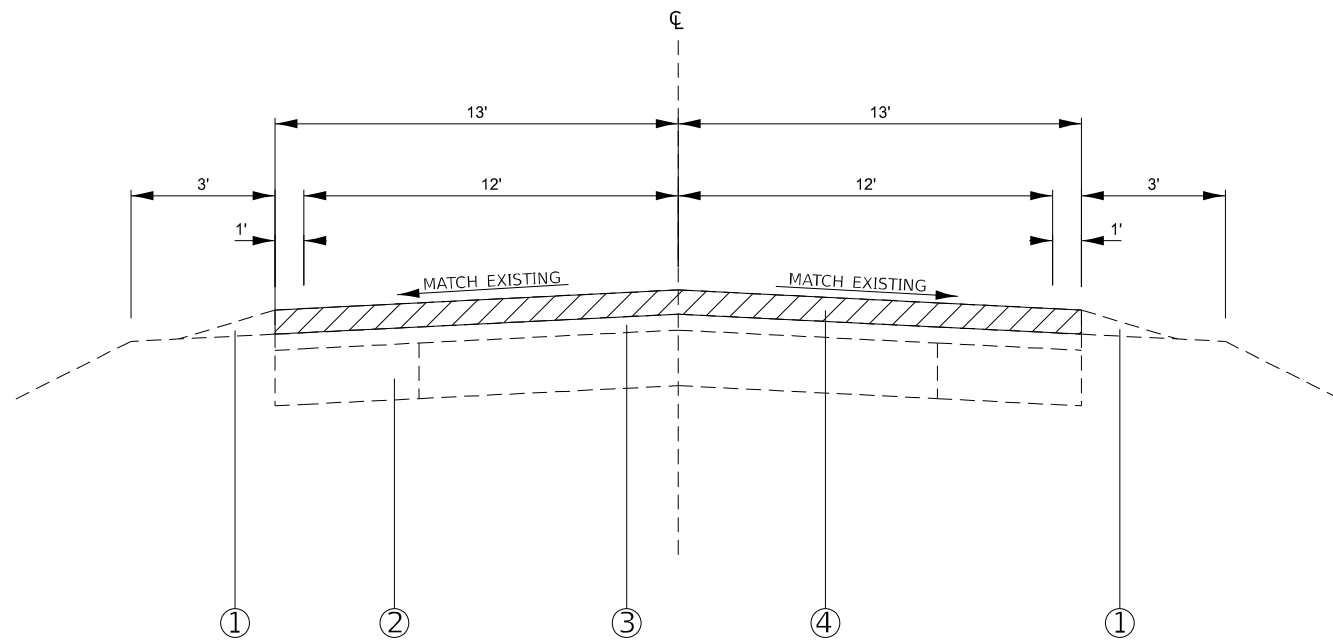
USER NAME = edison.zohfanyi	DESIGNED -	REVISED -
	DRAWN -	REVISED -
PLOT SCALE = 0.16666633 / in.	CHECKED -	REVISED -
PLOT DATE = 1/11/2024	DATE -	REVISED -

**STATE OF ILLINOIS  
 DEPARTMENT OF TRANSPORTATION**

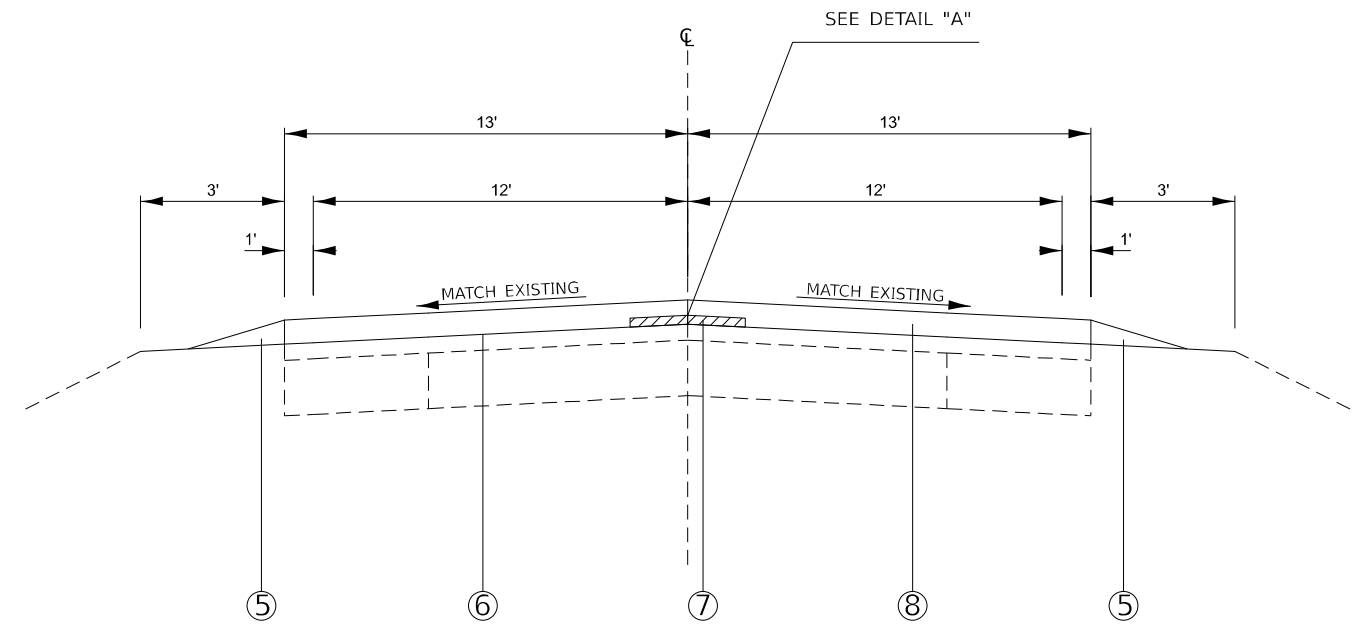
**SUMMARY OF QUANTITIES**

SCALE: SHEET 2 OF 2 SHEETS STA. TO STA.

F.A.P. RTE.	SECTION	COUNTY	TOTAL SHEETS	SHEET NO.
805	(127, 128)RS-3,PP	CLINTON	8	4
ILLINOIS FED. AID PROJECT			CONTRACT NO. 76T32	



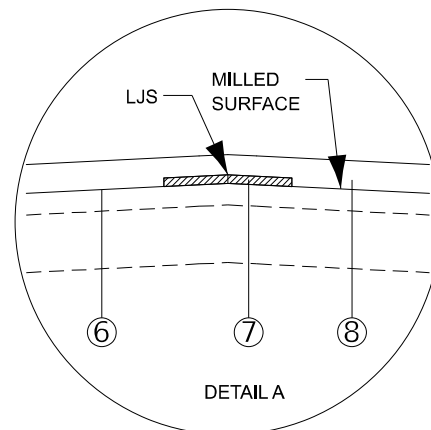
**EXISTING TYPICAL SECTION**  
STA. 1537+08 TO STA. 1575+42



**PROPOSED TYPICAL SECTION**  
STA. 1537+08 TO STA. 1575+42

**LEGEND**

- ① EXISTING AGGREGATE SHOULDER WEDGE
- ② EXISTING CONCRETE PAVEMENT - 12"
- ③ EXISTING BITUMINOUS OVERLAY
- ④ EXISTING HOT-MIX ASPHALT SURFACE REMOVAL - 1½"
- ⑤ PROPOSED AGGREGATE SHOULDER WEDGE
- ⑥ PROPOSED BITUMINOUS MATERIAL (TACK COAT)
- ⑦ PROPOSED LONGITUDINAL JOINT SEALANT
- ⑧ PROPOSED HOT-MIX ASPHALT SURFACE COURSE - 1½"



\*\*DETAIL "A" SHALL BE APPLIED  
ALONG THE CENTERLINE OF PAVEMENT

MODEL: typical\_section-1 (Sheet)  
FILE NAME: c:\p\work\project\illinois.gov\_edison.zohfanyi\0894674\0876732-shs\typical.dgn

USER NAME = edison.zohfanyi	DESIGNED -	REVISED -
	DRAWN -	REVISED -
PLOT SCALE = 0.16666633' / in.	CHECKED -	REVISED -
PLOT DATE = 1/11/2024	DATE -	REVISED -

**STATE OF ILLINOIS  
DEPARTMENT OF TRANSPORTATION**

**TYPICAL SECTIONS**

SCALE: SHEET 1 OF 1 SHEETS STA. TO STA.

F.A.P. RTE.	SECTION	COUNTY	TOTAL SHEETS	SHEET NO.
805	(127, 128)RS-3,PP	CLINTON	8	5
CONTRACT NO. 76T32				
ILLINOIS FED. AID PROJECT				

## PAVEMENT MARKING SCHEDULE

LOCATION		THERMOPLASTIC AND TEMPORARY PAVEMENT MARKING		PAVEMENT MARKING REMOVAL - WATER BLASTING	SHORT TERM PAVEMENT MARKING	SHORT TERM PAVEMENT MARKING REMOVAL	RAISED REFLECTIVE PAVEMENT MARKER		RAISED REFLECTIVE PAVEMENT MARKER REMOVAL
STATION		LINE - 5" THERMOPLASTIC / LINE - 4" TEMPORARY					ONE WAY CRYSTAL	TWO WAY AMBER	
FROM	TO	WHITE SOLID	YELLOW SKIP-DASH						
		FEET	FEET	SQ FT	FEET	SQ FT	EACH	EACH	EACH
1537+08.0	1552+66.0	3116	390	1169	150	25		19	19
1552+66.0	1553+40.0	148	20	56	10	2		1	1
1553+40.0	1566+08.0	2536	320	952	120	20		16	16
1566+08.0	1566+64.0	112	20	44	10	2		1	1
1566+64.0	1575+42.0	1756	220	659	80	14		11	11
TOTAL		7668	970	2880	370	63		48	48

## RESURFACING SCHEDULE

STATION		DIMENSION		HMA SURFACE REMOVAL 1 1/2"	LONGITUDINAL JOINT SEALANT	BITUMINOUS MATERIALS (TACK COAT)	HMA SURFACE COURSE IL-9.5 "MIX C" N70
		LENGTH	WIDTH				
FROM	TO	FEET	FEET	SQ YD	FEET	POUND	TON
1537+08.0	1575+42.0	3834	26	11076	3834	4984.2	930.38
TOTAL				11076	3834	4984	930

## TEMPORARY RAMP SCHEDULE

CL OF ENTRANCE OR SIDEROAD	LOCATION	LENGTH	WIDTH	TEMPORARY RAMP	REMARKS
		FEET	FEET	SQ YD	
1537+08.0		5	26	15	BEGIN PROJECT
1549+83.0	R	3	75	25	
1555+00.0	L	3	70	24	
1556+92.0	R	3	40	14	
1576+76.0	R	3	27	9	
1566+34.0	R	3	51	17	CHURCH STEEPLE
1566+51.0	L	3	31	11	CHURCH STEEPLE
1575+42.0		5	26	15	END PROJECT
TOTAL				130	

## AGGREGATE WEDGE SHOULDER , TYPE B

STATION		DEPTH	LENGTH	WIDTH	AGGREGATE WEDGE SHOULDER, TYPE B
FROM	TO	INCH	FEET	FEET	TON
1537+08.0	1549+53.0	2	1245.0	3	96.83
1549+53.0	1550+33.0	2	80.0	3	6.22
1550+33.0	1552+80.0	2	247.0	3	19.21
1552+80.0	1553+52.0	2	72.0	3	5.60
1553+52.0	1554+90.0	2	138.0	3	10.73
1554+90.0	1555+33.0	2	43.0	3	3.34
1555+33.0	1556+85.0	2	152.0	3	11.82
1556+85.0	1557+24.0	2	39.0	3	3.03
1557+24.0	1566+28.0	2	904.0	3	70.31
1566+28.0	1575+42.0	2	865.0	3	67.28
TOTAL					294

MODEL: Schedule of Quantities-1 (Sheet)  
FILE NAME: c:\p\work\127128\illinois.gov\edison.zohfanyi\127128-shs-schedule.dgn

USER NAME = edison.zohfanyi	DESIGNED -	REVISED -
	DRAWN -	REVISED -
PLOT SCALE = 0.16666633' / in.	CHECKED -	REVISED -
PLOT DATE = 1/11/2024	DATE -	REVISED -

**STATE OF ILLINOIS  
DEPARTMENT OF TRANSPORTATION**

### SCHEDULE OF QUANTITIES

SCALE: SHEET 1 OF 2 SHEETS STA. TO STA.

F.A.P. RTE.	SECTION	COUNTY	TOTAL SHEETS	SHEET NO.
805	(127, 128)RS-3,PP	CLINTON	8	6
CONTRACT NO. 76T32				
ILLINOIS FED. AID PROJECT				

# PATCHING SCHEDULE

PATCH NO.	STATION	LENGTH	WIDTH	AREA	CLASS C PATCHES			TIE BARS 3/4"	WELDED WIRE REINFORCEMENT
					12 INCHES				
					TYPE II	TYPE III	TYPE IV		
		FEET	FEET	SQ YD	SQ YD	SQ YD	SQ YD	EACH	SQ YD
WB LANE									
1	1537+25	7.5	13	10.83	10.83				
2	1543+11	40	13	57.78			57.78	14	57.78
3	1543+85	68	13	98.22			98.22	23	98.22
4	1545+82	32	13	46.22			46.22	11	46.22
5	1546+24	34	13	49.11			49.11	12	49.11
6	1547+52	17	13	24.56		24.56			24.56
7	1548+07	43	13	62.11			62.11	15	62.11
8	1548+58	39	13	56.33			56.33	13	56.33
9	1549+95	70	13	101.11			101.11	24	101.11
10	1550+15	10.5	13	15.17		15.17			15.17
11	1552+40	20	13	28.89			28.89		28.89
12	1553+08	55	13	79.44			79.44	19	79.44
13	1556+63	53	13	76.56			76.56	18	76.56
14	1557+14	24	13	34.67			34.67	8	34.67
15	1558+91	41	13	59.22			59.22	14	59.22
16	1559+55	15	13	21.67		21.67			21.67
17	1566+31	62	13	89.56			89.56	21	89.56
18	1564+22	46	13	66.44			66.44	16	66.44
19	1567+35	66	13	95.33			95.33	22	95.33
20	1568+43	60	13	86.67			86.67	20	86.67
21	1570+49	10	13	14.44	14.44				
22	1572+54	6.5	13	9.39	9.39				
23	1572+78	6.5	13	9.39	9.39				
24	1573+15	6.5	13	9.39	9.39				
25	1573+84	7	13	10.11	10.11				
26	1574+01	6	13	8.67	8.67				
EB LANE									
27	1537+19	9.0	13.0	13.00	13.00				
28	1539+35	19.0	13.0	27.44			27.44		27.44
29	1540+95	76.0	13.0	109.78			109.78	26	109.78
30	1542+20	59.0	13.0	85.22			85.22	20	85.22
31	1545+28	73.0	13.0	105.44			105.44	25	105.44
32	1547+42	11.0	13.0	15.89		15.89			15.89
33	1549+20	25.0	13.0	36.11			36.11	9	36.11
34	1550+04	70.0	13.0	101.11			101.11	24	101.11
35	1551+74	41.0	13.0	59.22			59.22	14	59.22
36	1552+19	38.0	13.0	54.89			54.89	13	54.89
37	1562+95	29.0	13.0	41.89			41.89	10	41.89
38	1564+53	21.5	13.0	31.06			31.06	8	31.06
39	1565+07	14.0	13.0	20.22		20.22			20.22
40	1568+34	12.5	13.0	18.06		18.06			18.06
41	1570+05	9.5	13.0	13.72	13.72				
42	1573+06	6.5	13.0	9.39	9.39				
TOTAL					108	116	1740	399	1855

MODEL: Schedule of Quantities-2 (Sheet)  
FILE NAME: c:\p\work\wv\illinois.gov\_edison.zohfanyi@illinois.gov\0894674\0876732-shr-schedule.dgn

USER NAME = edison.zohfanyi	DESIGNED -	REVISED -
	DRAWN -	REVISED -
PLOT SCALE = 0.16666833' / in.	CHECKED -	REVISED -
PLOT DATE = 12/12/2023	DATE -	REVISED -

**STATE OF ILLINOIS  
DEPARTMENT OF TRANSPORTATION**

**SCHEDULE OF QUANTITIES**

SCALE: SHEET 2 OF 2 SHEETS STA. TO STA.

F.A.P. RTE.	SECTION	COUNTY	TOTAL SHEETS	SHEET NO.
805	(127, 128)RS-3,PP	CLINTON	8	7
CONTRACT NO. 76T32				
ILLINOIS FED. AID PROJECT				



BEGIN PROJECT  
0.3 MILE W/ OF  
RED FOX RD  
STA. 1537+08

RED FOX RD

CHURCH STEEPLE RD

CHURCH STEEPLE RD

END PROJECT  
0.1 MILE OF  
CHURCH STEEPLE RD  
STA. 1575+42

MODEL: LOCATION MAP (Sheet)  
FILE NAME: c:\p\work\project\illinois.gov\edison.zohfanyi@illinois.gov\d0894674\1D876732-shr-plan.dgn

NOT TO SCALE

USER NAME = edison.zohfanyi	DESIGNED -	REVISED -
	DRAWN -	REVISED -
PLOT SCALE = 0.16666833' / in.	CHECKED -	REVISED -
PLOT DATE = 11/9/2023	DATE -	REVISED -

**STATE OF ILLINOIS  
DEPARTMENT OF TRANSPORTATION**

**LOCATION MAP**

SCALE: NTS SHEET 1 OF 1 SHEETS STA. TO STA.

F.A.P. RTE.	SECTION	COUNTY	TOTAL SHEETS	SHEET NO.
805	(127, 128)RS-3,PP	CLINTON	8	8
ILLINOIS FED. AID PROJECT			CONTRACT NO. 76T32	