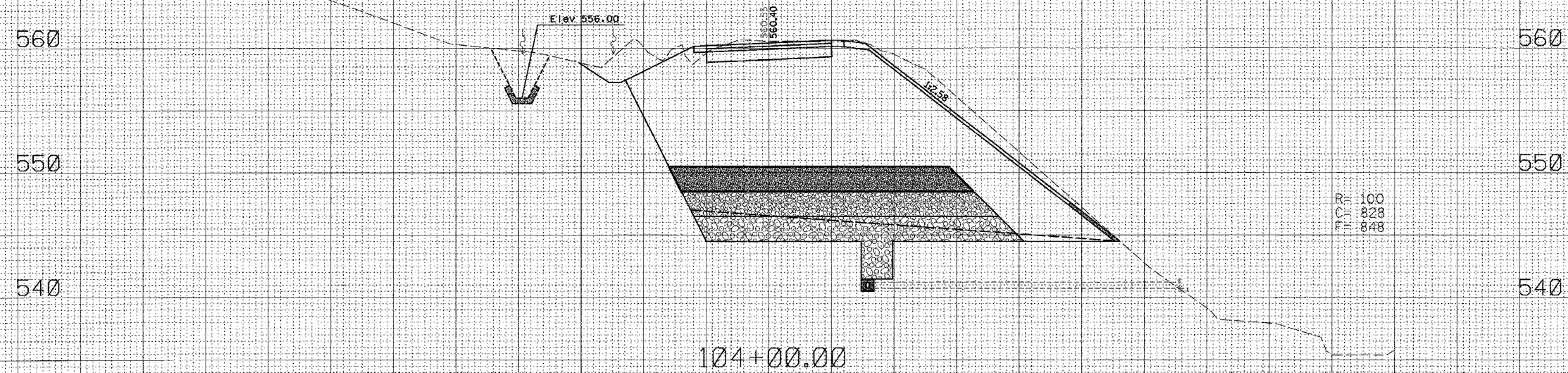
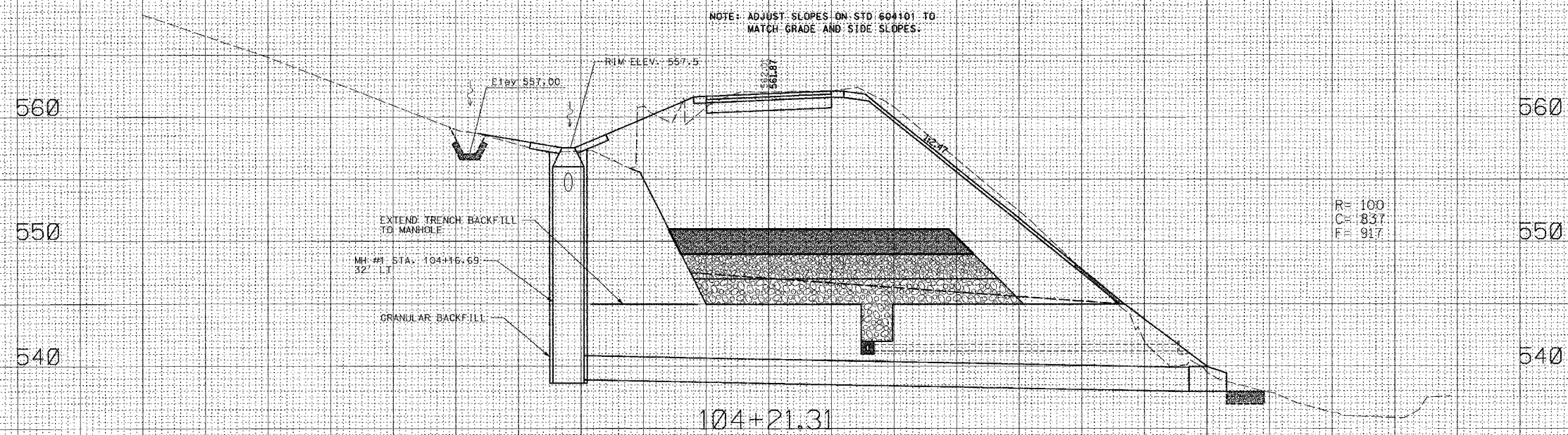
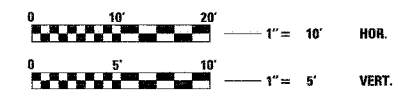


F.A. RTE.	SECTION	COUNTY	TOTAL SHEETS	SHEET NO.
		JERSEY	14	9
STA. 104+00		TO STA. 104+21.31		
FED. ROAD DIST. NO.		ILLINOIS FED. AID PROJECT		
CONTRACT NO. 24925				



120 110 100 90 80 70 60 50 40 30 20 10 0 10 20 30 40 50 60 70 80 90 100 110 120



DISTRICT PROJECT ENGINEER - LANCE KIDD