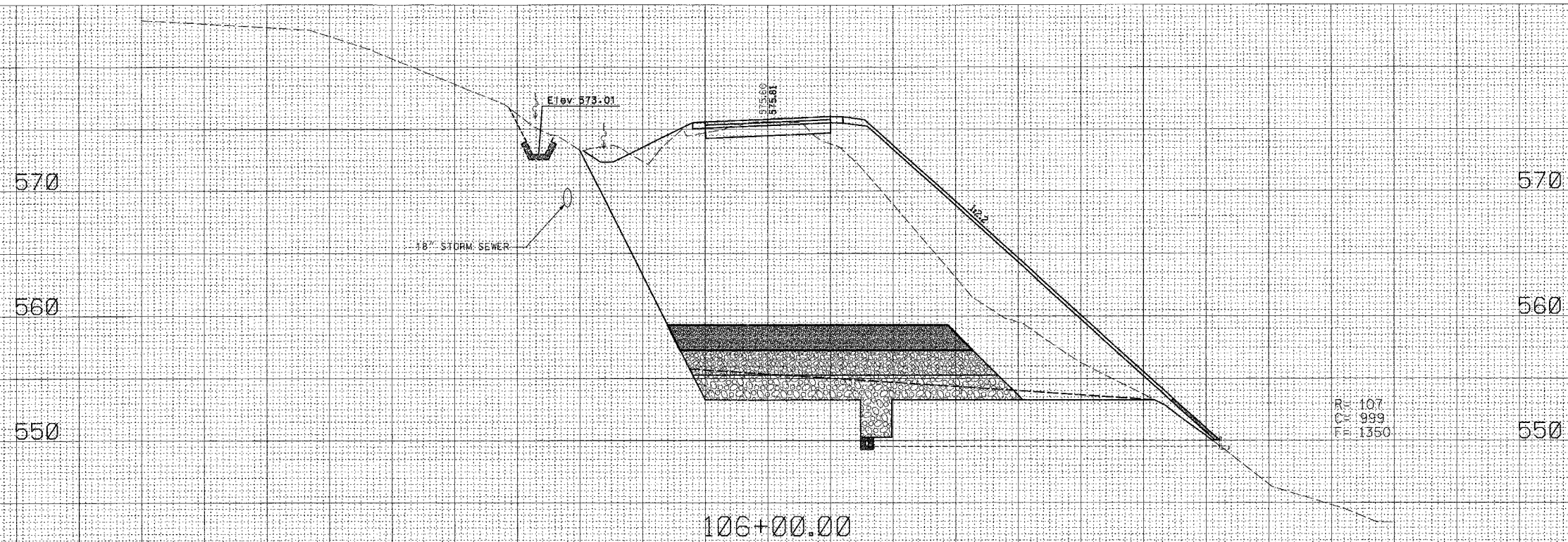
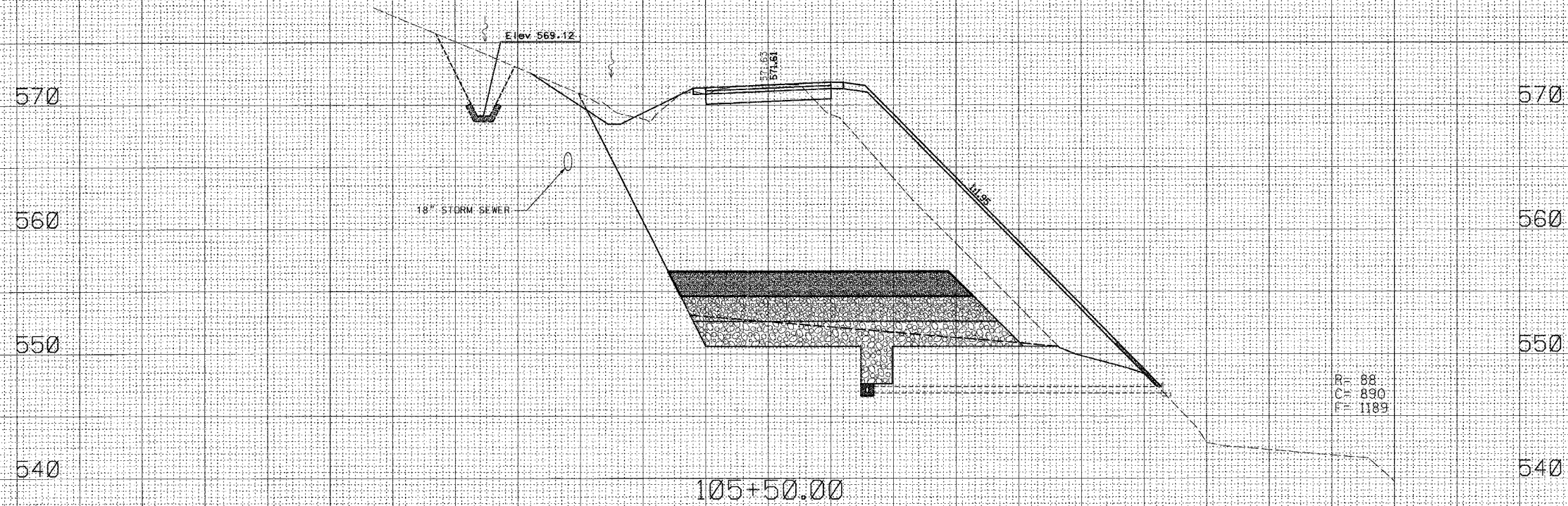


F.A. RTE.	SECTION	COUNTY	TOTAL SHEETS	SHEET NO.
		JERSEY	14	11
STA. 105+50		TO STA. 106+00		
FED. ROAD DIST. NO. 1		ILLINOIS FED. AID PROJECT		
CONTRACT NO. 44925				



R= 107
 C= 999
 F= 1350



R= 88
 C= 890
 F= 1189

DISTRICT PROJECT ENGINEER - LANCE KIDD

120 110 100 90 80 70 60 50 40 30 20 10 0 10 20 30 40 50 60 70 80 90 100 110 120

