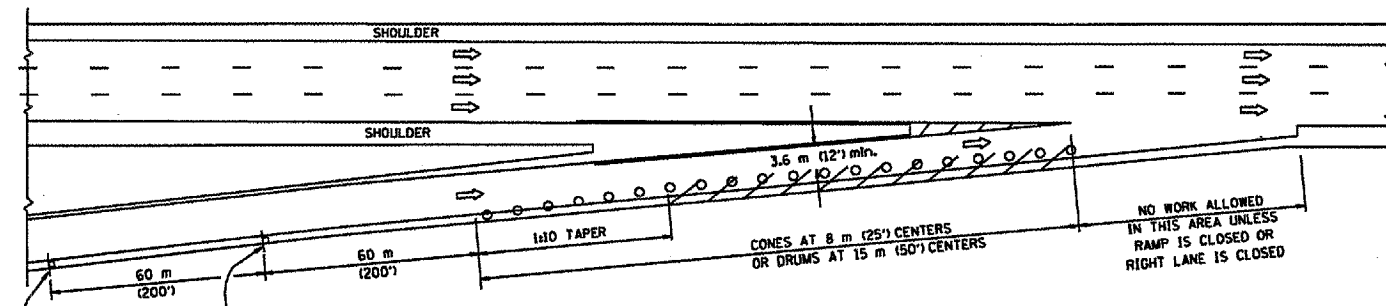
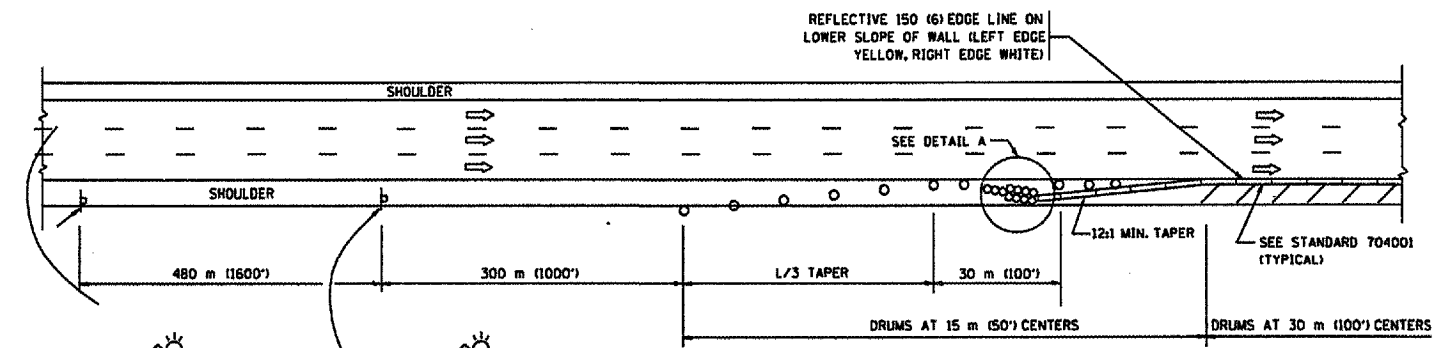


PARTIAL RAMP CLOSURE DETAILS

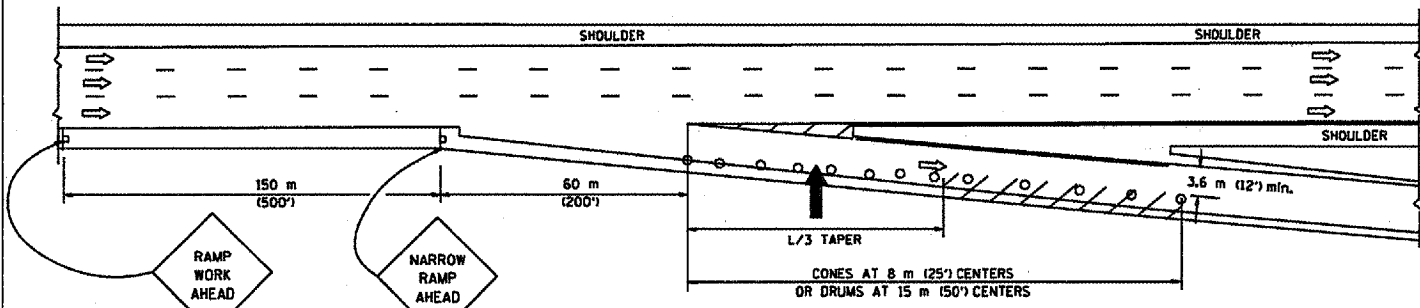
SHOULDER CLOSURE DETAILS



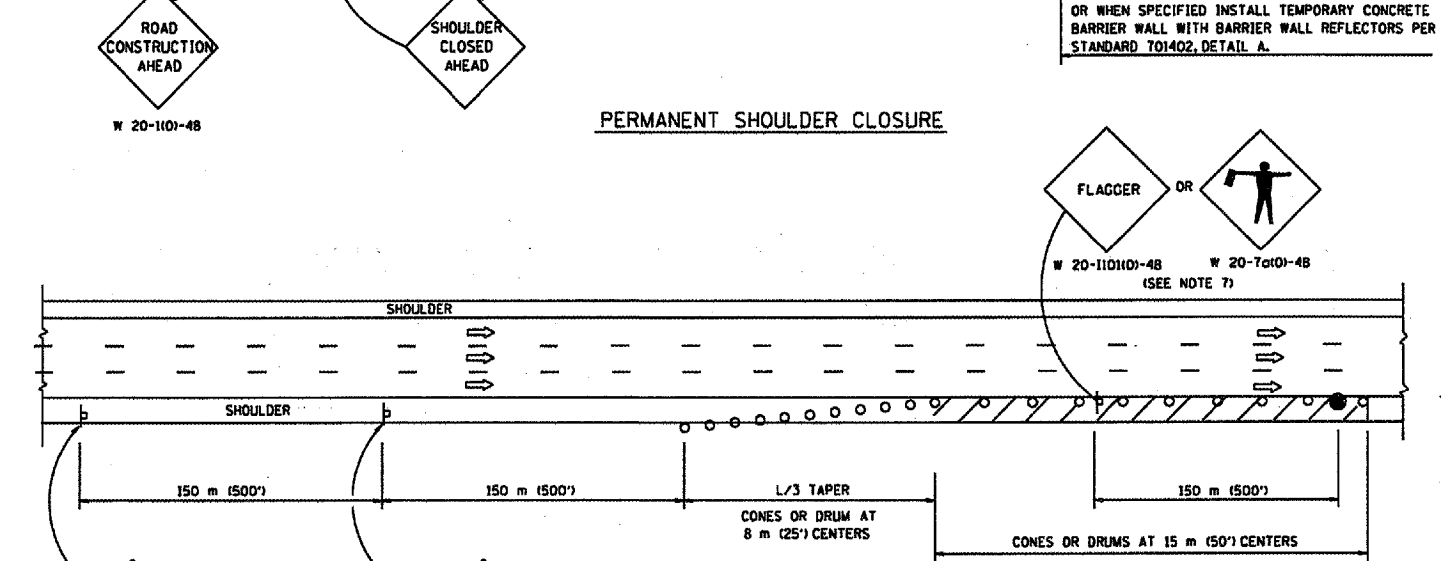
TYPICAL ENTRANCE RAMP



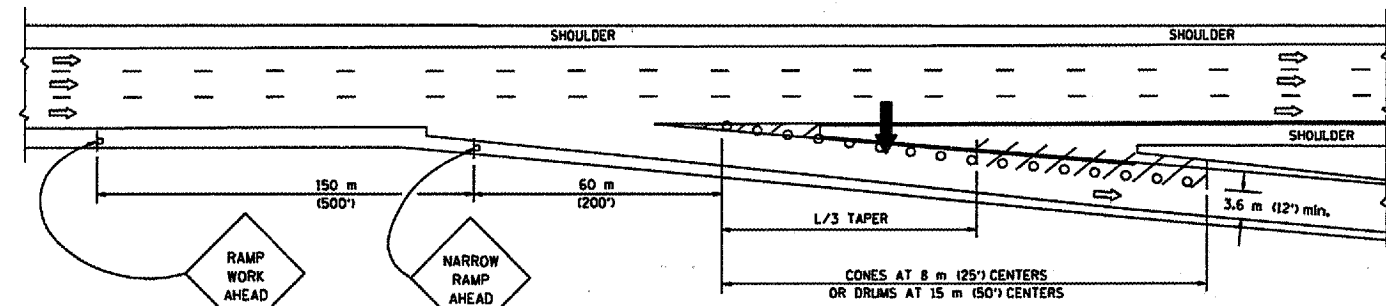
PERMANENT SHOULDER CLOSURE



TYPICAL EXIT RAMP

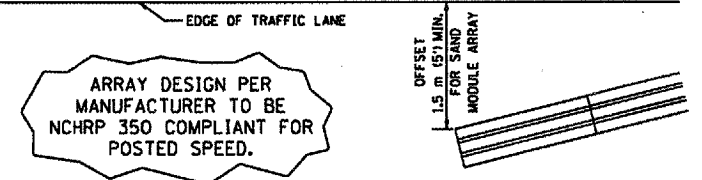


DAYTIME SHOULDER CLOSURE



TYPICAL EXIT RAMP

THIS DETAIL IS USED WHERE:  
 1. VEHICLES, EQUIPMENT, WORKERS OR THEIR ACTIVITIES ENCRUSH IN AN AREA CLOSER THAN 4.5 m (15') TO THE EDGE OF PAVEMENT FOR A PERIOD IN EXCESS OF 15 MINUTES.



DETAIL "A"  
 IMPACT ATTENUATOR, TEMPORARY  
 (SEE NOTE 5)

SYMBOLS

- ARROWBOARD
- WORK AREA
- SIGN ON PORTABLE OR PERMANENT SUPPORT
- FLAGGER WITH CONTROL SIGN
- DRUM WITH MONO-DIRECTIONAL STEADY BURNING LIGHT
- CONES - 700 (28) IN HEIGHT

GENERAL NOTES

1. THE "L" DISTANCE EQUALS:  
 SPEED LIMIT FORMULAS  
 80 km/h (45 mph) METRIC ENGLISH  
 OR GREATER:  $L=0.65(WHS)$   $L=W(HS)$   
 $W$  = WIDTH OF OFFSET IN METERS (FEET)  
 $S$  = NORMAL POSTED SPEED KM/H (MPH)
2. PLASTIC DRUMS WITH HIGH PERFORMANCE REFLECTIVE SHEETING AND STEADY BURNING LIGHTS ARE REQUIRED FOR ALL NIGHTTIME CLOSURES.
3. ALL SIGNS SHALL BE POST MOUNTED IF THE CLOSURE TIME EXCEEDS FOUR DAYS.
4. FLASHING LIGHTS SHALL BE USED DURING THE HOURS OF DARKNESS AND SHALL BE INSTALLED ABOVE THE FIRST TWO SETS OF SIGNS.

5. THE IMPACT ATTENUATOR, TEMPORARY IS NOT REQUIRED WHEN THE TEMPORARY CONCRETE BARRIER WALL IS OUTSIDE THE CLEAR ZONE OR IS TIED INTO THE EXISTING GUARDRAIL. IF OFFSET IS LESS THAN 5 FEET USE "TRAFFIC BARRIER TERMINAL, TYPE III, TEMPORARY" DEVICE TO MEET NCHRP350 FOR POSTED SPEED.
6. AUTHORIZATION FROM THE DISTRICT'S BUREAU OF TRAFFIC IS REQUIRED FOR ALL FREEWAY CLOSURES.
7. THE FLAGGER AND FLAGGER SIGN ARE REQUIRED AT THE ABOVE WORK SITES WHEN:
  - a. FOUR OR MORE WORK VEHICLES ENTER THE TRAFFIC LANES IN A ONE HOUR PERIOD.
  - b. THE WORK ACTIVITY REQUIRES FREQUENT ENCRUSHMENT INTO THE LANE OPEN TO TRAFFIC.
 THE FLAGGER SHALL BE STATIONED APPROXIMATELY 30 m (100') TO 60 m (200') IN ADVANCE OF THE WORKERS.

REVISIONS	
NAME	DATE
DWS	11/96
JAF	12/02
NCHRP 350	04/03

ALL DIMENSIONS ARE IN MILLIMETERS (INCHES) UNLESS OTHERWISE SHOWN.

ILLINOIS DEPARTMENT OF TRANSPORTATION

TRAFFIC CONTROL DETAILS  
 FOR FREEWAY  
 SHOULDER CLOSURES  
 PARTIAL RAMP CLOSURES

SCALE: NONE  
 DATE: \*\*DATE\*\*

DRAWN BY: DWS  
 DESIGNED BY: DWS  
 CHECKED BY: