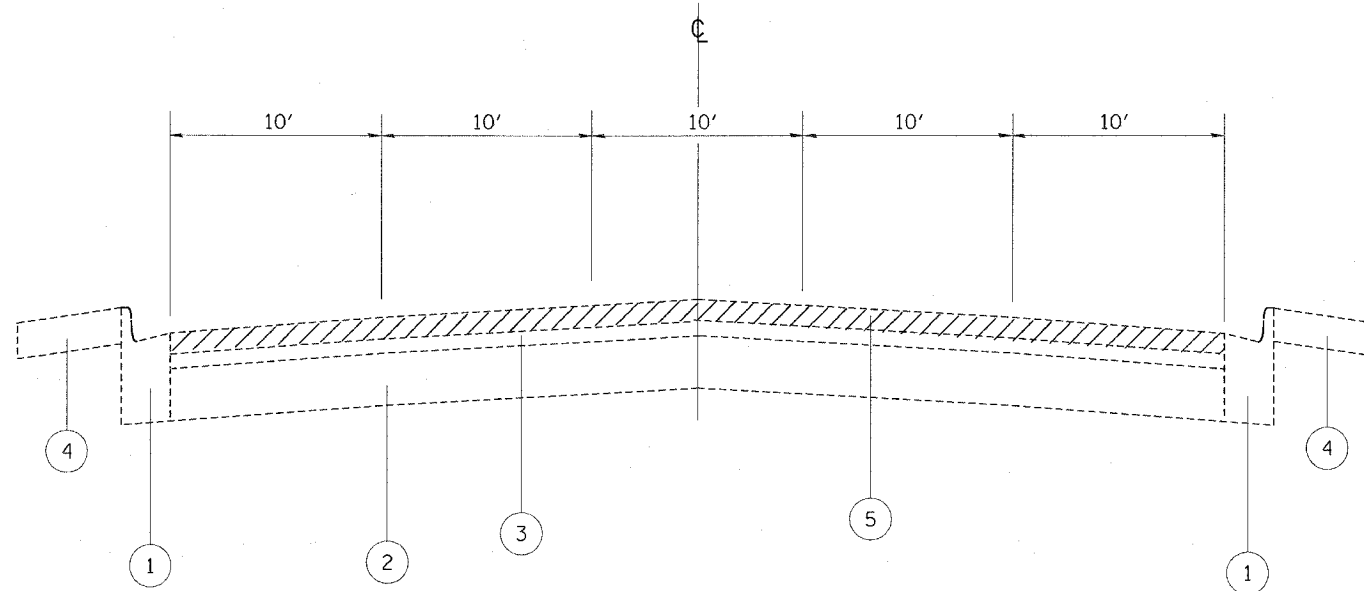


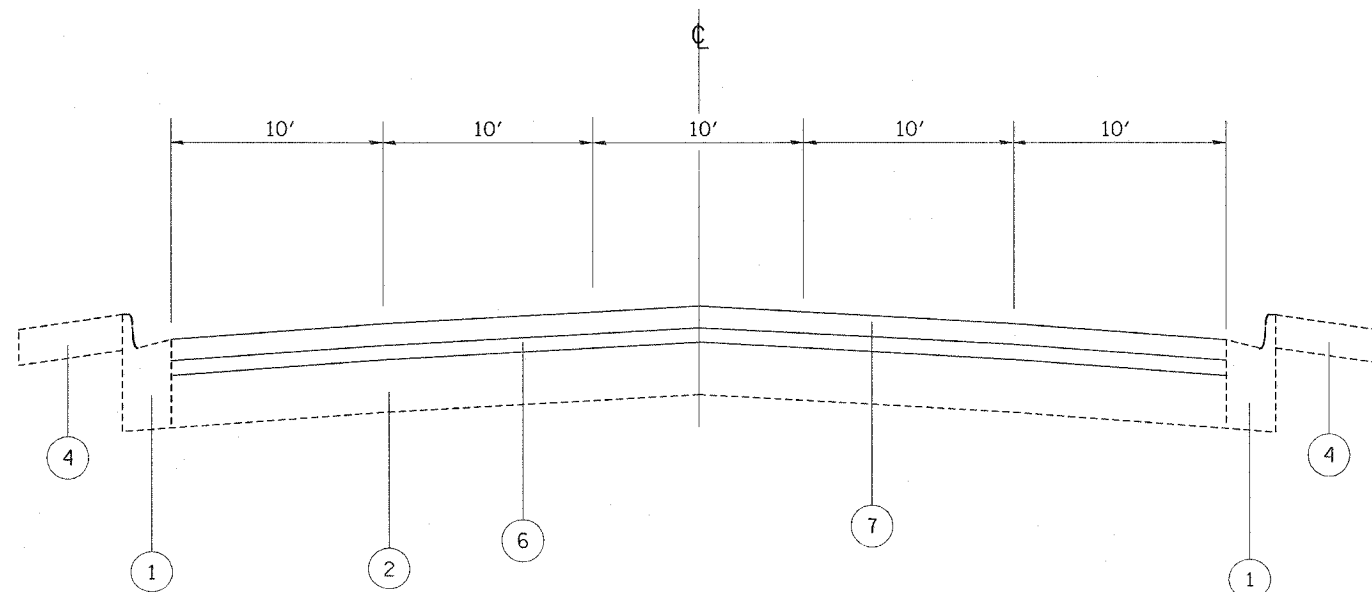
F.A.J.U. RTE.	SECTION	COUNTY	TOTAL SHEETS	SHEET NO.
2742	2005-061 RS	COOK	28	5
STA.		TO STA.		
FED. ROAD DIST. NO.	ILLINOIS	FED. AID PROJECT		

D-91-066-06



EXISTING TYPICAL SECTION  
 STA. 8+95 TO 10+00  
 STA. 65+00 TO 74+01

- LEGEND**
- 1 EXIST. B6.24 CURB & GUTTER
  - 2 EXIST. P.C.C. BASE COURSE 9" ±
  - 3 EXIST. HOT MIX ASPHALT OVERLAY 4" ±
  - 4 EXISTING SIDEWALK
  - 5 PROPOSED HOT MIX ASPHALT SURFACE REMOVAL 2 1/4"
  - 6 PROPOSED POYMERIZED LEVELING BINDER (MACHINE METHOD), SUPERPAVE, IL-4.75, N50 (3/4")
  - 7 PROPOSED HOT MIX ASPHALT SURFACE COURSE, MIX "D", N70 (1 1/2")



PROPOSED TYPICAL SECTION  
 STA. 8+95 TO 10+00  
 STA. 65+00 TO 74+01

REVISIONS	
NAME	DATE

ILLINOIS DEPARTMENT OF TRANSPORTATION

EXISTING AND PROPOSED TYPICAL SECTIONS

SCALE: VERT. DATE  
 HORIZ. CHECKED BY

DRAWN BY

PLOT DATE = 12/21/2006  
 FILE NAME = c:\p\projects\1065606\design\as.dgn  
 PLOT SCALE = 49.7630' / IN.  
 USER NAME = bmkhl