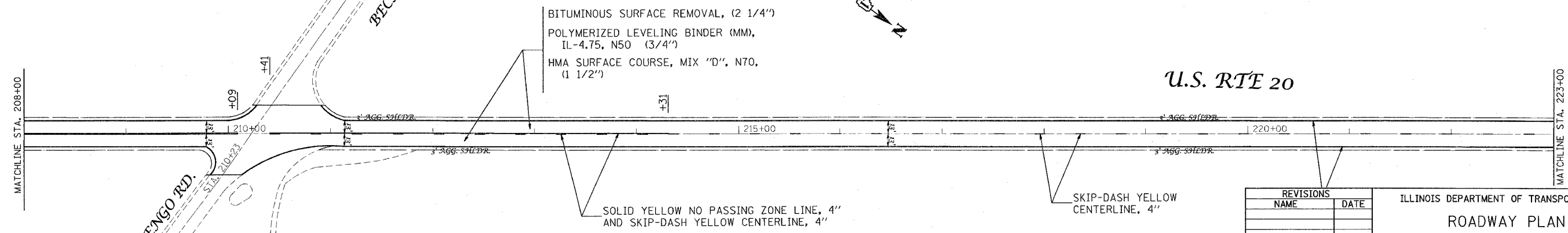
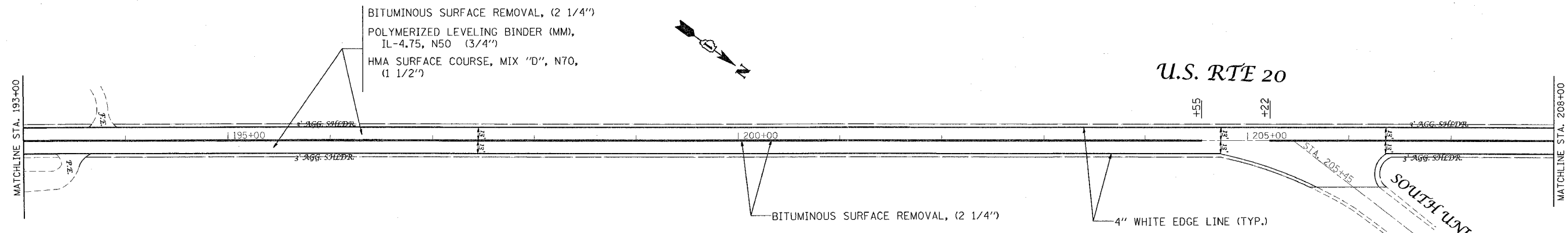
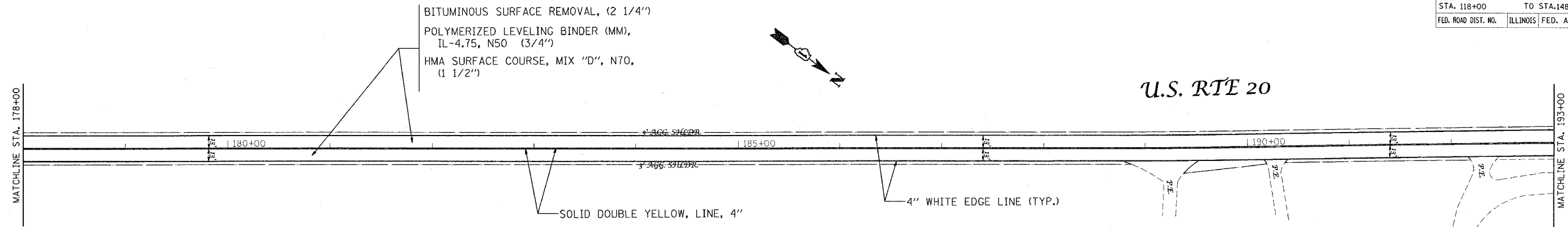


REF-topol3
REF-topol4
REF-topol5

CONTRACT NO. 60B64

F.A.P. RTE.	SECTION	COUNTY	TOTAL SHEETS	SHEET NO.
525	(11&12) RS-11	McHENRY	21	9
STA. 118+00		TO STA. 148+00		
FED. ROAD DIST. NO.		ILLINOIS	FED. AID PROJECT	



PLOT DATE = 2/13/2007
FILE NAME = c:\projects\6138686\ah.dwg
PLOT SCALE = 1/8" = 1' / IN.
USER NAME = trent

REVISIONS	
NAME	DATE

ILLINOIS DEPARTMENT OF TRANSPORTATION

ROADWAY PLAN
U.S. RTE 20
(GETTY RD. TO WEST UNION RD.)

SCALE: VERT. 1"=50'
HORIZ.
DATE 2/13/2007

DRAWN BY
CHECKED BY