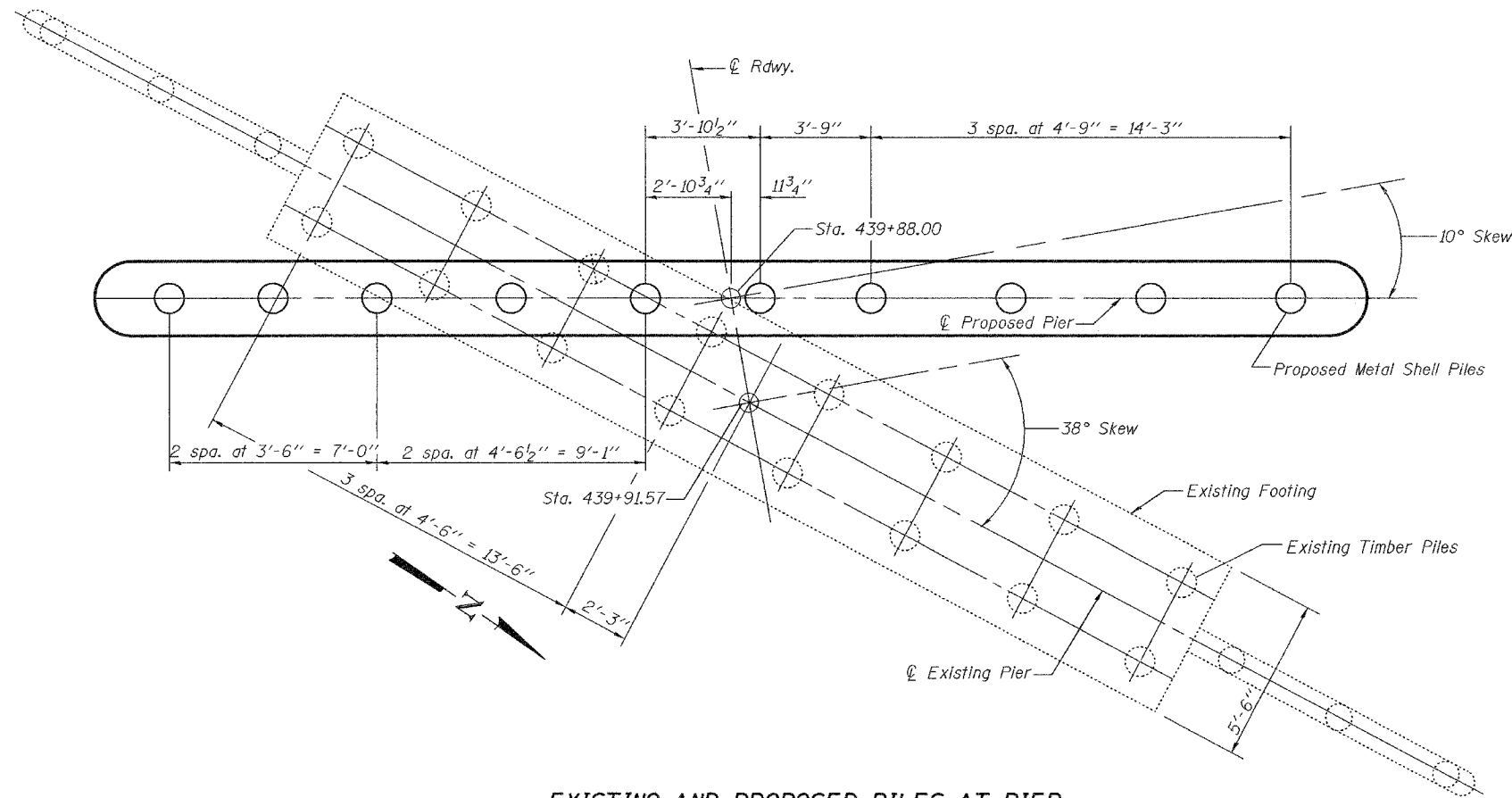


STATE OF ILLINOIS
DEPARTMENT OF TRANSPORTATION

ROUTE NO. F.A.P. 303	SECTION BR-4	COUNTY BOONE	TOTAL SHEETS 39	SHEET NO. 2
FED. ROAD DIST. NO. 7				ILLINOIS
FED. AID PROJECT-				

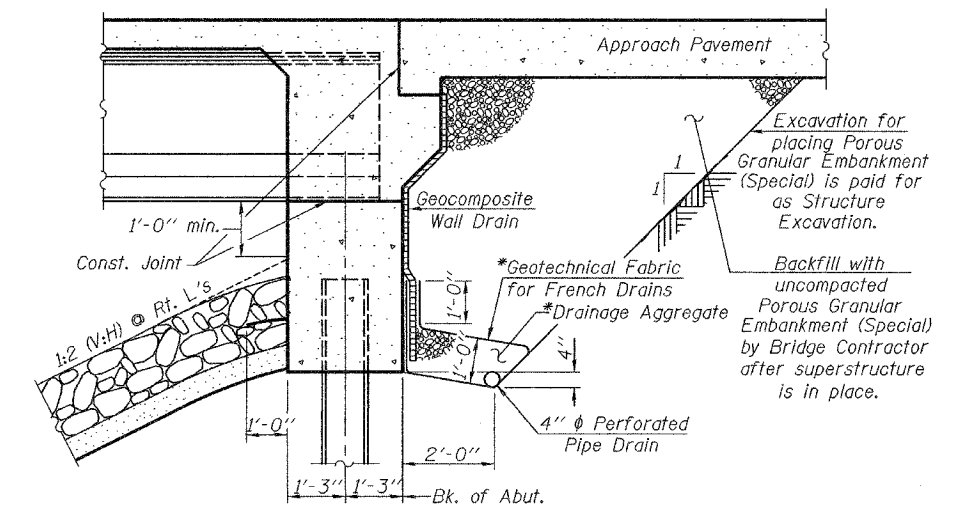
Contract #64800

18 SHEETS



EXISTING AND PROPOSED PILES AT PIER

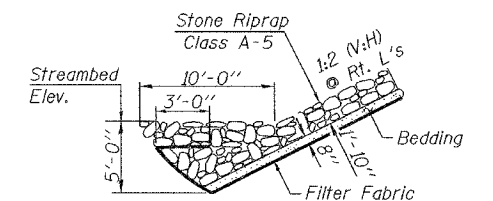
Information shown regarding existing pier and piles is from existing plans. There may be variations in the existing field conditions.



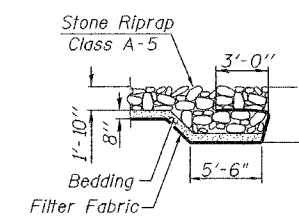
*Included in the cost of Pipe Underdrains for Structures, 4".

SECTION THRU INTEGRAL ABUTMENT
(Horiz. dim. @ Rt. L's)

Note: All drainage system components shall extend to 2'-0" from the end of each wingwall except an outlet pipe shall extend until intersecting with the side slopes. The pipes shall drain into concrete headwalls. (See Article 601.05 of the Standard Specifications and Highway Standard 601101).



STONE RIPRAP ANCHOR DETAIL



SECTION A-A

GENERAL DATA
F.A.P. ROUTE 303 - SECTION 130BR-4
BOONE COUNTY
STATION 439+88.00
STRUCTURE NO. 004-0020

DESIGNED	Fesseha Teklehaimanot
CHECKED	Stephen Ryan
DRAWN	R. Sommer
CHECKED	FT/SMR

EXAMINED	Thomas J. Demagalaiki	March 9, 2007
PASSED	Ralph E. Anderson	

ENGINEER OF BRIDGE DESIGN
ENGINEER OF BRIDGES AND STRUCTURES