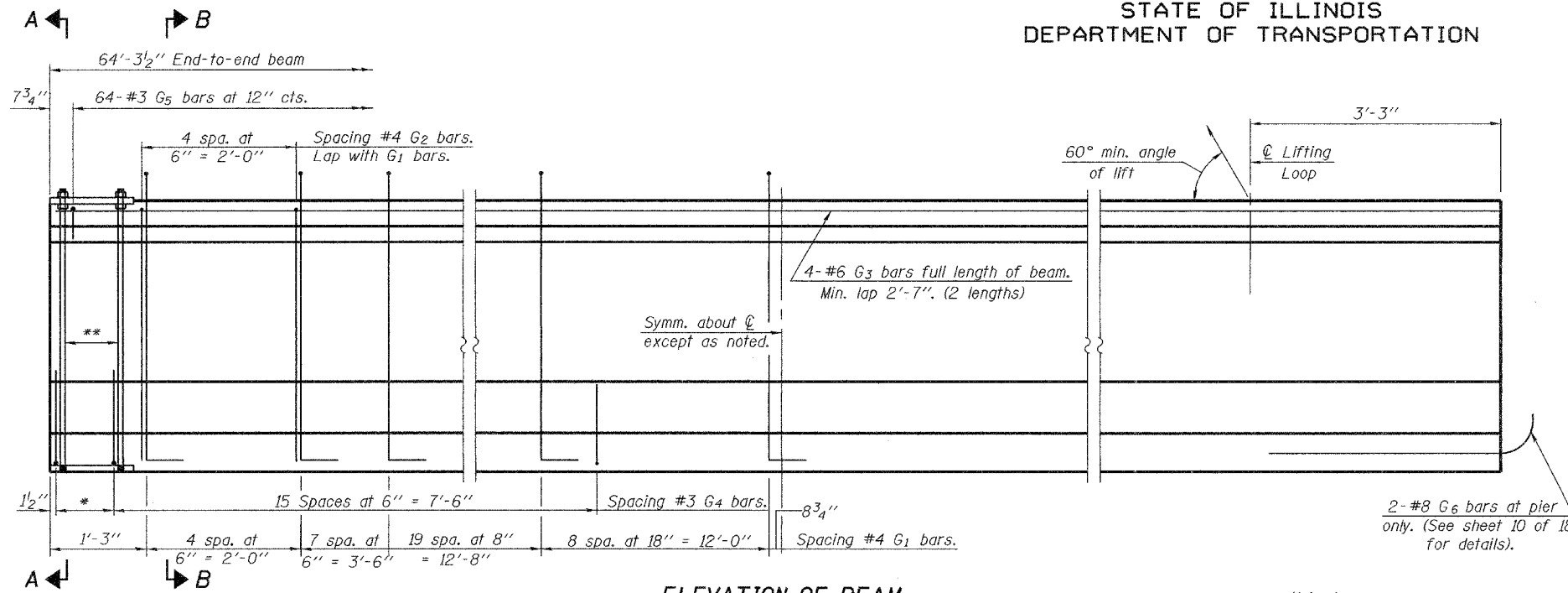


STATE OF ILLINOIS  
DEPARTMENT OF TRANSPORTATION

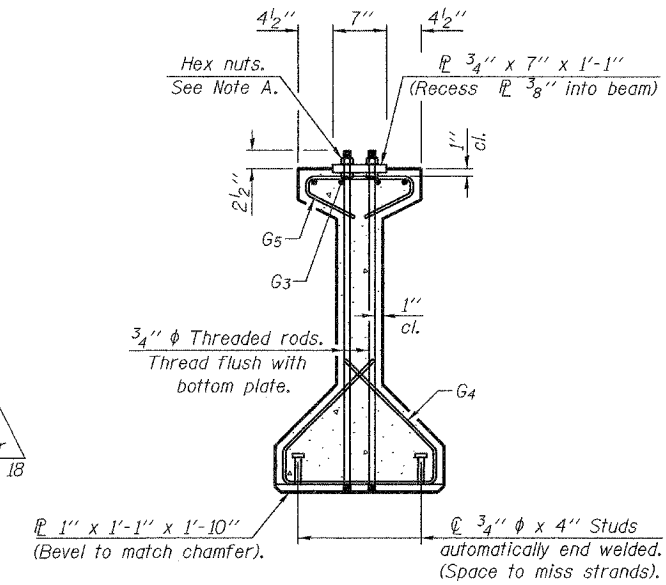
ROUTE NO.	SECTION	COUNTY	STATE	SHEET	SHEET NO. 9 18 SHEETS
F.A.P. 303	130 BR-4	BOONE		46	
FED. ROAD DIST. NO. 7	ILLINOIS	FED. AID PROJECT-			

Contract #64800

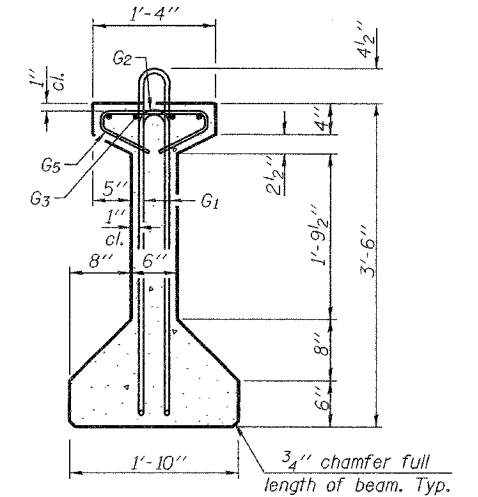


**ELEVATION OF BEAM**  
(Showing reinforcement & dimensions)

Note A:  
Hex nuts (top and bottom) with lock washers (top). Only tighten sufficiently to compress lock washers.

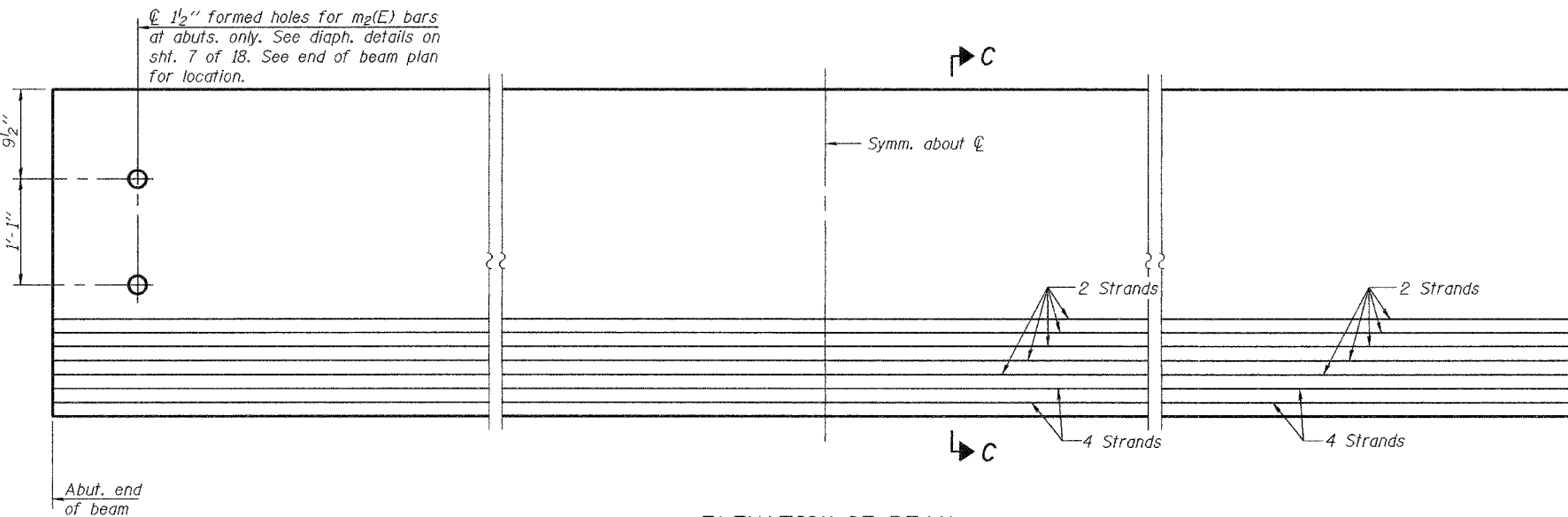


**SECTION A-A**

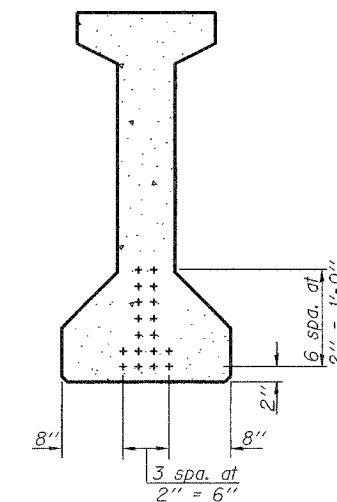


**SECTION B-B**

\*3 spaces at 3" = 9".  
\*\*4-3/4" φ threaded dowel rods at 3" cts., each face.



**ELEVATION OF BEAM**  
(Showing prestressing steel)



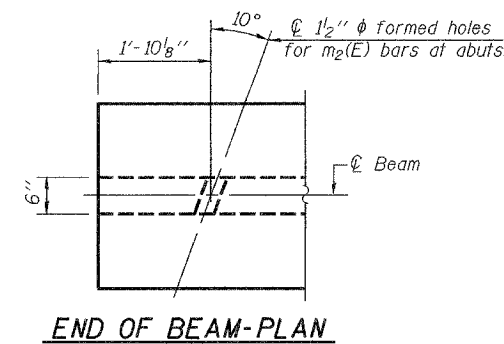
**SECTION C-C**

**\*\*\*BAR LIST  
ONE BEAM ONLY**

Bar	No.	Size	Length	Shape
G <sub>1</sub>	78	#4	8'-5"	∩L
G <sub>2</sub>	10	#4	6'-8"	∩
G <sub>3</sub>	8	#6	33'-4"	—
G <sub>4</sub>	38	#3	4'-11"	∩
G <sub>5</sub>	64	#3	2'-6"	∩
G <sub>6</sub>	2	#8	3'-9"	∩

\*\*\*For information only.

Notes: See sheet 10 of 18 for additional details and Bill of Material.  
Required release strength, f'<sub>ci</sub>, shall be 5000 psi.



**END OF BEAM-PLAN**

DESIGNED	Fesseha Teklehaimanot
CHECKED	Stephen Ryan
DRAWN	R. Sommer
CHECKED	FT/SMR

EXAMINED	Thomas J. Donagahki ENGINEER OF BRIDGE DESIGN	March 9, 2007
PASSED	Ralph E. Anderson ENGINEER OF BRIDGES AND STRUCTURES	

42" PPC I-BEAM (SPANS 1 & 2)  
F.A.P. ROUTE 303 - SECTION 130BR-4  
BOONE COUNTY  
STATION 439+88.00  
STRUCTURE NO. 004-0020