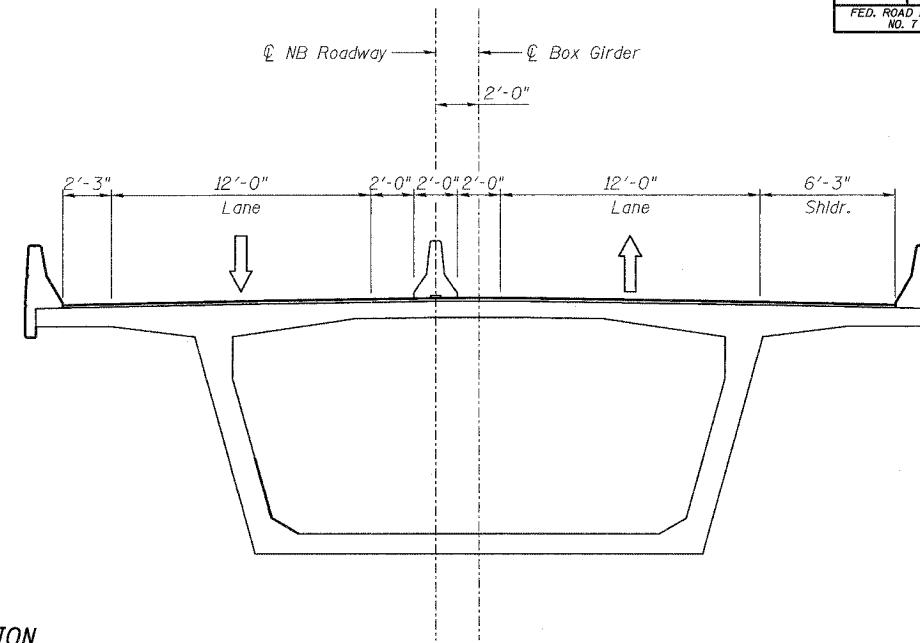
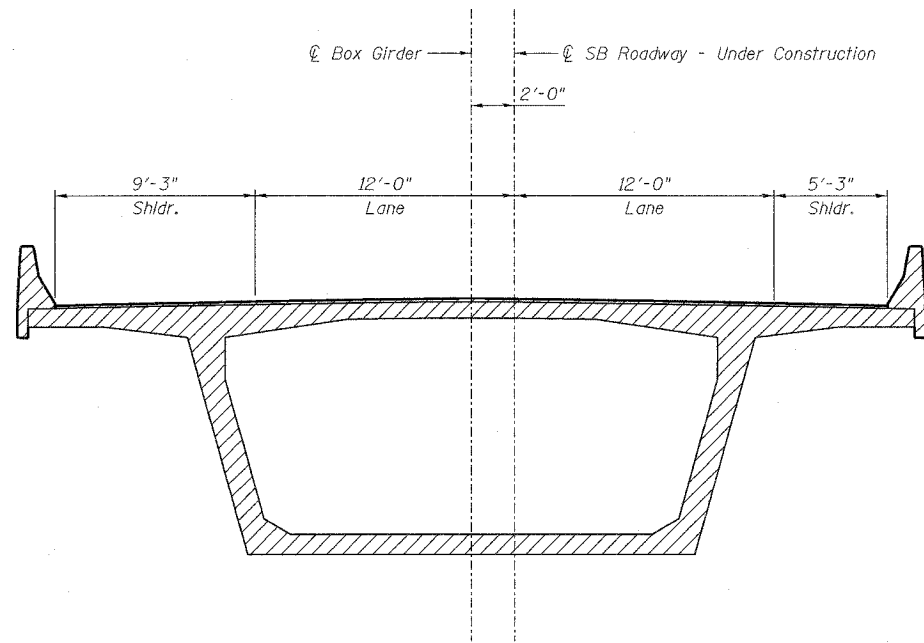
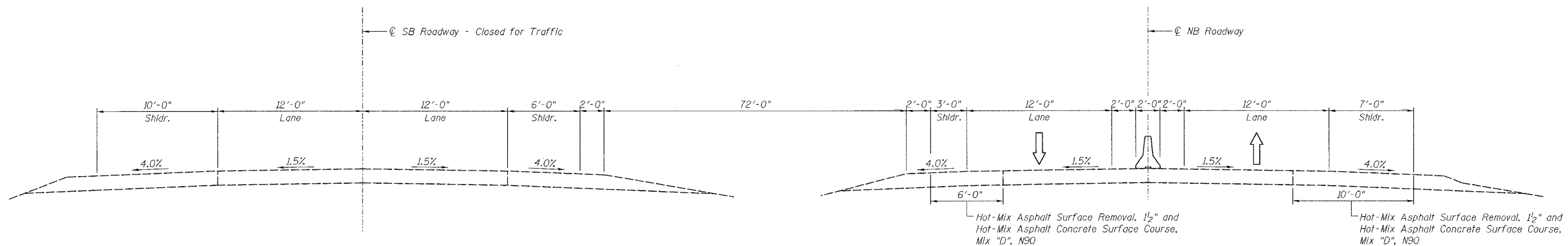


ROUTE NO.	SECT.	COUNTY	SHEET NO.	TOTAL SHEETS
F.A.I. 39	201-1BR	WINNEBAGO	3	40
FED. ROAD DIST. NO. 7	ILLINOIS	FED. AID PROJECT	CONTRACT NO. 64857	



STAGE 1 - BRIDGE TYPICAL SECTION



STAGE 1 - ROADWAY TYPICAL SECTION

NOTES:

During Stage 2 the traffic will be shifted on the SB roadway (Bridge). All cross-section dimensions shall be opposite hand as those in Stage 1.

LEGEND:

Construction in this Stage

Designed by: EVI  
 Checked by: GCV  
 Drafted by: HH  
 Checked by: GLV

REVISION	DATE	DESCRIPTION
STATE OF ILLINOIS DEPARTMENT OF TRANSPORTATION TRAFFIC CONTROL PLAN - TYPICAL SECTIONS I-39 (FAI 39) OVER KISHWAUKEE RIVER SECTION 201-1BR WINNEBAGO COUNTY STATION 2425+00 STRUCTURE NOS. 101-0133 (S.B.) & 101-0134 (N.B.)		
PARSONS		CHICAGO, ILLINOIS
DRAWING NO. 3	SCALE N.T.S.	DATE FEB 2007
		SHEET NO. R-2

Time: 4:14:33 PM

Date: 2/2/2007

Filename: p:\646265-kishwaukee-mrf.cadd\final\sheet\mogexs01s.sht