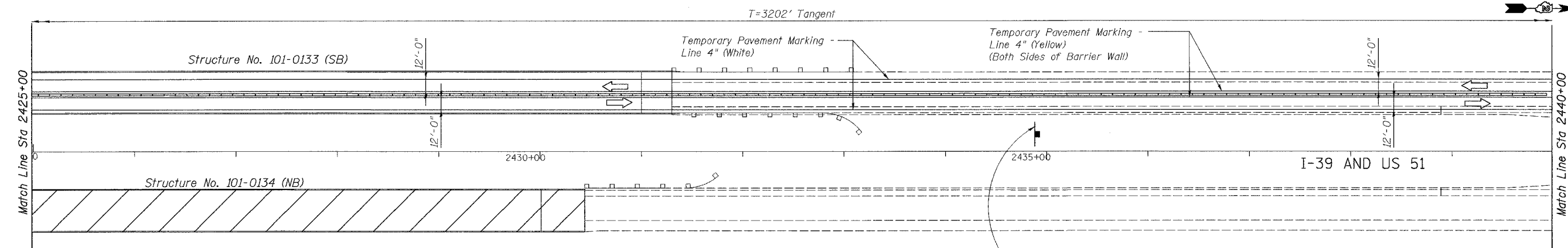
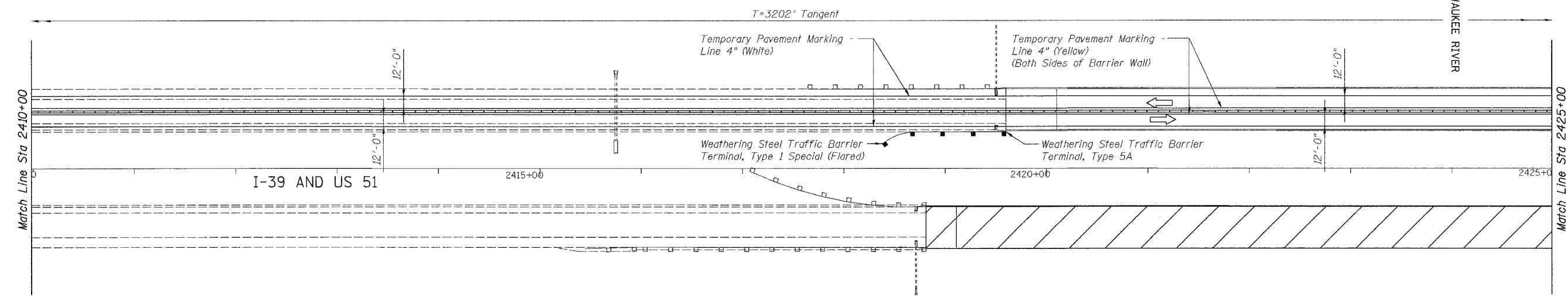


ROUTE NO.	SECT.	COUNTY	SHEET NO.	TOTAL SHEETS
F.A.I. 39	201-IBR	WINNEBAGO	10	40
FED. ROAD DIST. NO. 7	ILLINOIS	FED. AID PROJECT		

CONTRACT NO. 64857

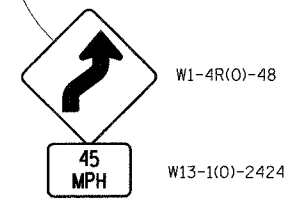
Date: 2/2/2007 Time: 4:12 PM

Filename: p:\64857-Kishwaukee-mr.f.cadd\final\sheet\mogesc07s.sht

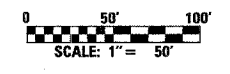


**LEGEND:**

- Direction of Traffic Flow
- Arrow Board
- Direction Indicator Barricade with Steady Burn Monodirectional Light
- Drum with Steady Burn Monodirectional Light
- Vertical Panel (Back to Back)
- Type III Barricade with Flashing Lights
- Temporary Concrete Barrier
- Exist Steel Plate Beam Guardrail
- Proposed Steel Plate Beam Guardrail, Type A
- Construction in this Stage



NOTES:  
Refer to Standard 701400 and 701416 for additional signing and marking requirements.



REVISION	DATE	DESCRIPTION
<b>STATE OF ILLINOIS</b> <b>DEPARTMENT OF TRANSPORTATION</b> <b>TRAFFIC CONTROL PLAN - STAGE 2</b> <b>STA 2410+00 TO STA 2440+00</b> <b>I-39 (FAI 39) OVER KISHWAUKEE RIVER</b> <b>SECTION 201-IBR</b> <b>WINNEBAGO COUNTY</b> <b>STATION 2425+00</b> <b>STRUCTURE NOS. 101-0133 (S.B.) &amp; 101-0134 (N.B.)</b>		
		CHICAGO, ILLINOIS
DRAWING NO. 10	SCALE 1"=50'-0"	DATE FEB 2007
		SHEET NO. R-9

Designed by:	EVI
Checked by:	GCV
Drafted by:	HH
Checked by:	GLV