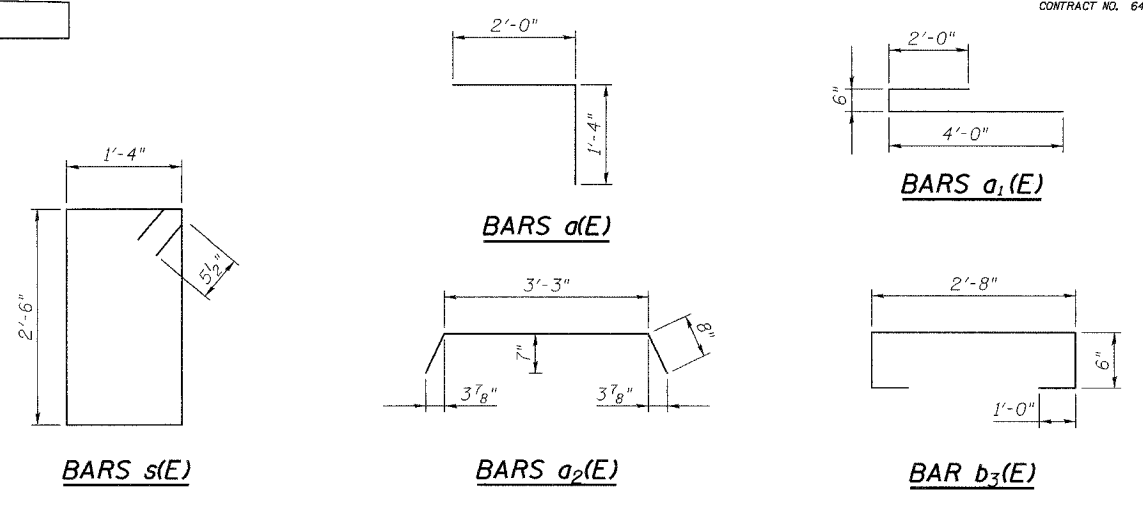
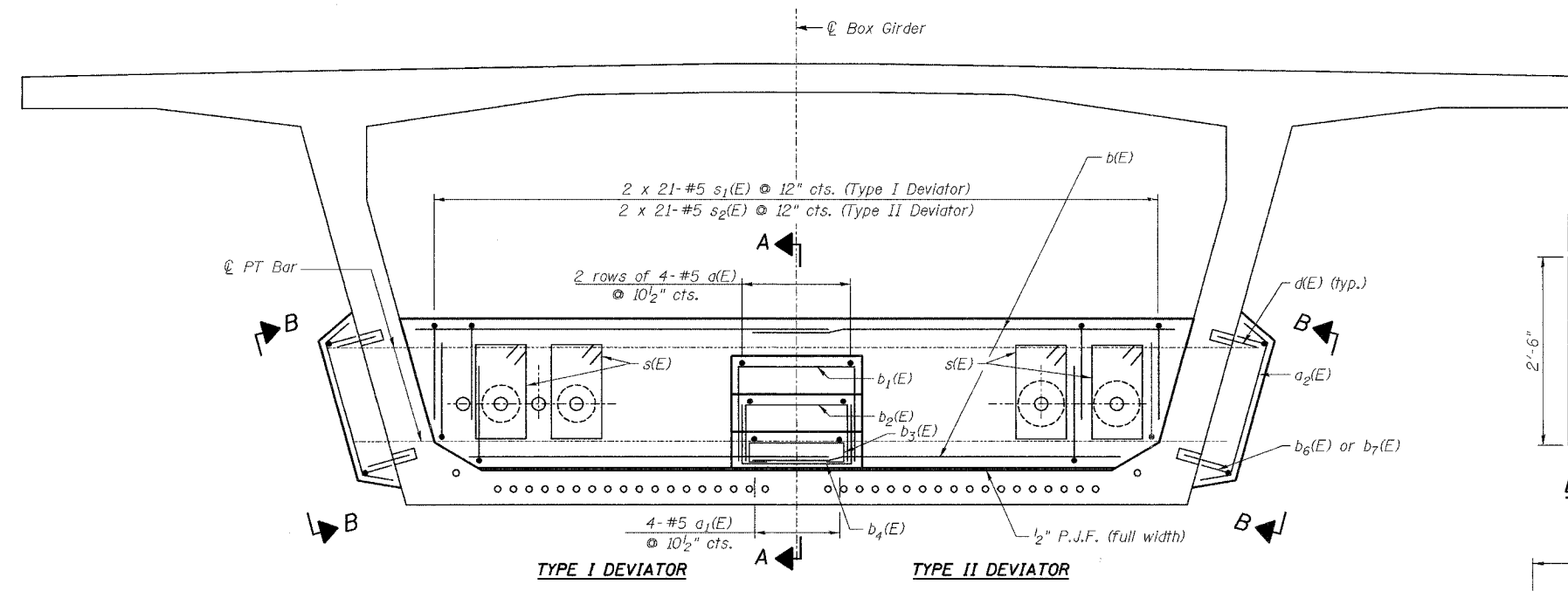


Date: 2/2/2007 Time: 4:29:58 PM



BILL OF MATERIAL FOR ONE TYPE I DEVIATOR
(S.B. or N.B.)

BILL OF MATERIAL FOR ONE TYPE II DEVIATOR
(S.B. or N.B.)

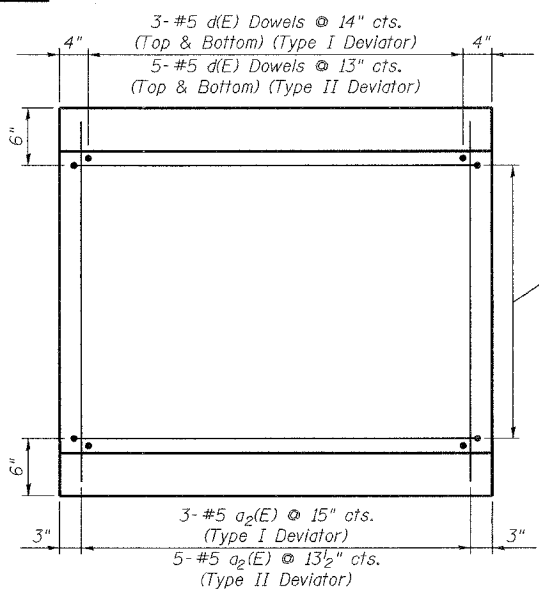
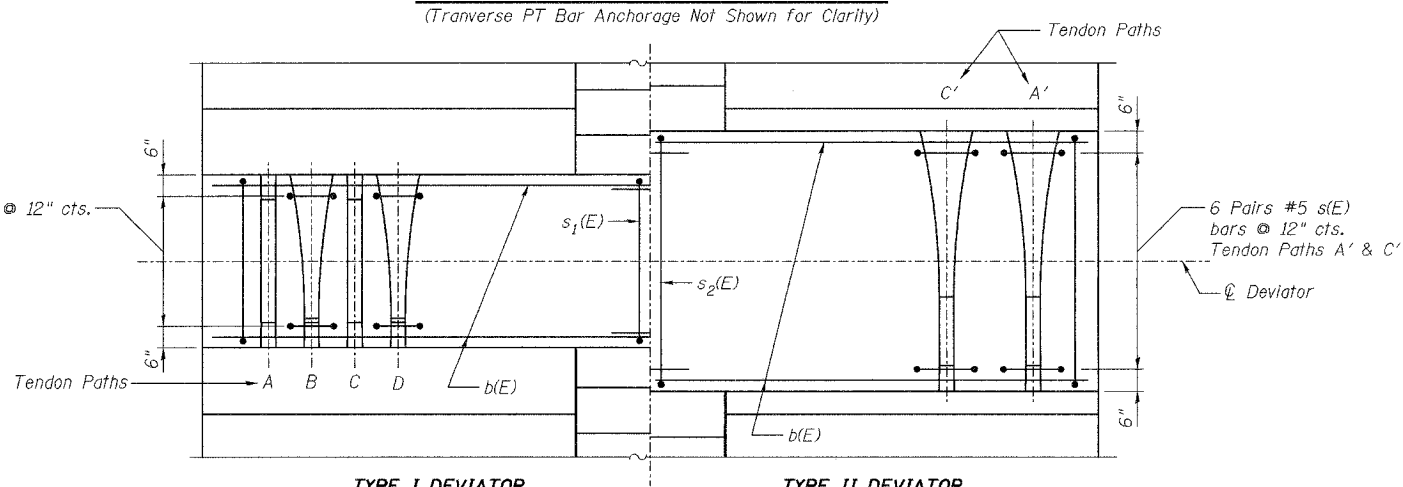
Bar	No.	Size	Length	Shape
a(E)	16	#5	3'-4"	┌
a ₁ (E)	8	#5	6'-6"	┌
a ₂ (E)	6	#5	4'-7"	┌
b(E)	28	#5	11'-2"	—
b ₁ (E)	4	#5	7'-0"	┌
b ₂ (E)	4	#5	5'-4"	┌
b ₃ (E)	4	#5	5'-8"	┌
b ₄ (E)	4	#5	4'-8"	┌
b ₅ (E)	2	#5	2'-8"	—
b ₆ (E)	8	#5	3'-8"	┌
d(E)	12	#5	1'-2"	—
s(E)	16	#5	8'-7"	┌
s ₁ (E)	42	#5	8'-8"	┌
Concrete Superstructure	Cu. Yd.		11.9	
Reinforcement Bars, Epoxy Coated	Pound		1133	

Bar	No.	Size	Length	Shape
a(E)	16	#5	3'-4"	┌
a ₁ (E)	8	#5	6'-6"	┌
a ₂ (E)	10	#5	4'-7"	┌
b(E)	36	#5	11'-2"	—
b ₁ (E)	4	#5	7'-0"	┌
b ₂ (E)	4	#5	5'-4"	┌
b ₃ (E)	4	#5	5'-8"	┌
b ₄ (E)	4	#5	4'-8"	┌
b ₅ (E)	2	#5	2'-8"	—
b ₇ (E)	8	#5	5'-8"	┌
d(E)	20	#5	1'-2"	—
s(E)	24	#5	8'-7"	┌
s ₂ (E)	42	#5	10'-8"	┌
Concrete Superstructure	Cu. Yd.		17.7	
Reinforcement Bars, Epoxy Coated	Pound		1431	

BARS b₁(E), b₂(E), b₄(E), b₆(E), b₇(E), s₁(E), s₂(E)

A & B DIMENSIONS

Bar	A	B
b ₁ (E)	2'-8"	2'-2"
b ₂ (E)	2'-8"	1'-4"
b ₄ (E)	2'-8"	1'-0"
b ₆ (E)	2'-8"	0'-6"
b ₇ (E)	4'-8"	0'-6"
s ₁ (E)	3'-8"	2'-6"
s ₂ (E)	5'-8"	2'-6"



MIN. BAR LAP
#5 bar = 2'-0"

NOTES:

Place s(E) bars at deviating ducts only.

The cost of drilling and epoxy grouting dowel bars is included with "Concrete Superstructure". Installation as per Sec. 584 of the Standard Specifications. Depth of embedment: 6" to 8".

Reinforcement bars designated (E) shall be epoxy coated.

Bars indicated thus 4 x 2-#5 etc. indicates 4 lines of bars with 2 lengths per line.

REVISION	DATE	DESCRIPTION
STATE OF ILLINOIS DEPARTMENT OF TRANSPORTATION		
BOTTOM SLAB DEVIATOR REINFORCEMENT		
I-39 (FAI 39) OVER KISHWAUKEE RIVER SECTION 201-1BR WINNEBAGO COUNTY STATION 2425+00 STRUCTURE NOS. 101-0133 (S.B.) & 101-0134 (N.B.)		
PARSONS		CHICAGO, ILLINOIS
DRAWING NO. 17	SCALE N.T.S.	DATE FEB 2007
		SHEET NO. S-6

Filename: p:\646265-Kishwaukee-mr.f.cadd\final\sheet\stbdr-f01.sht

Designed by: WEE
Checked by: DL
Drafted by: HH
Checked by: DL