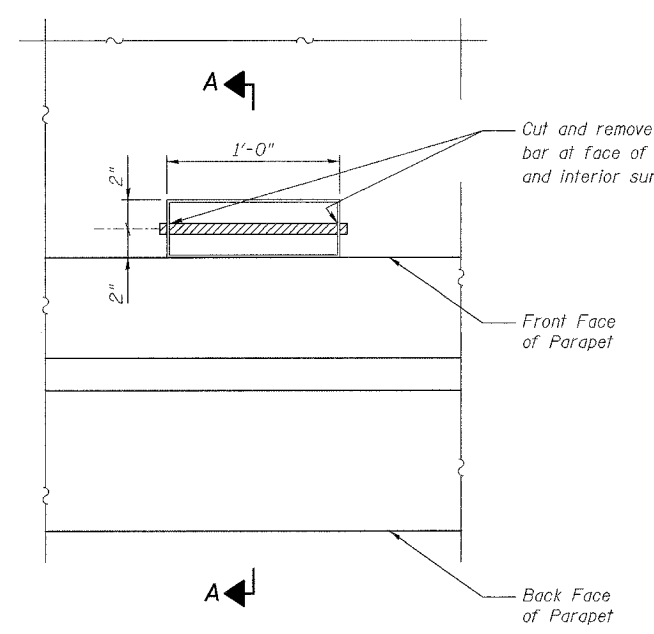
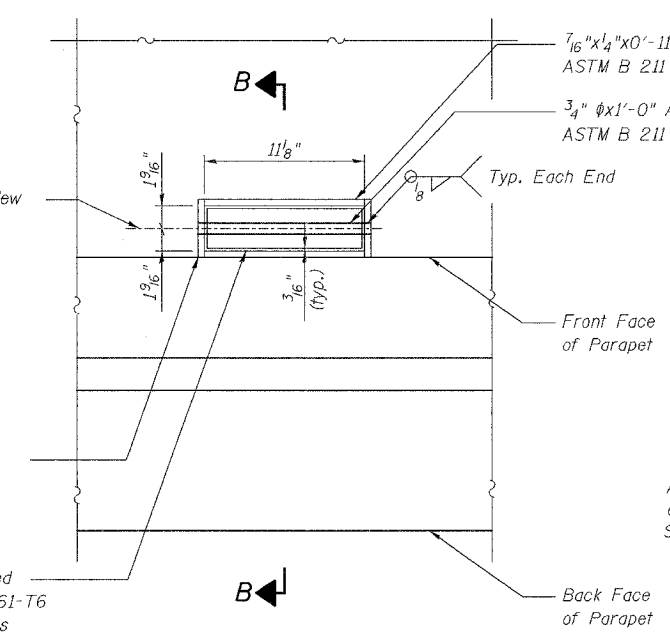


ROUTE NO.	SECT.	COUNTY	SHEET NO.	TOTAL SHEETS
F.A.I. 39	201-1BR	WINNEBAGO	24	40
FED. ROAD DIST. NO. 7	ILLINOIS	FED. AID PROJECT		

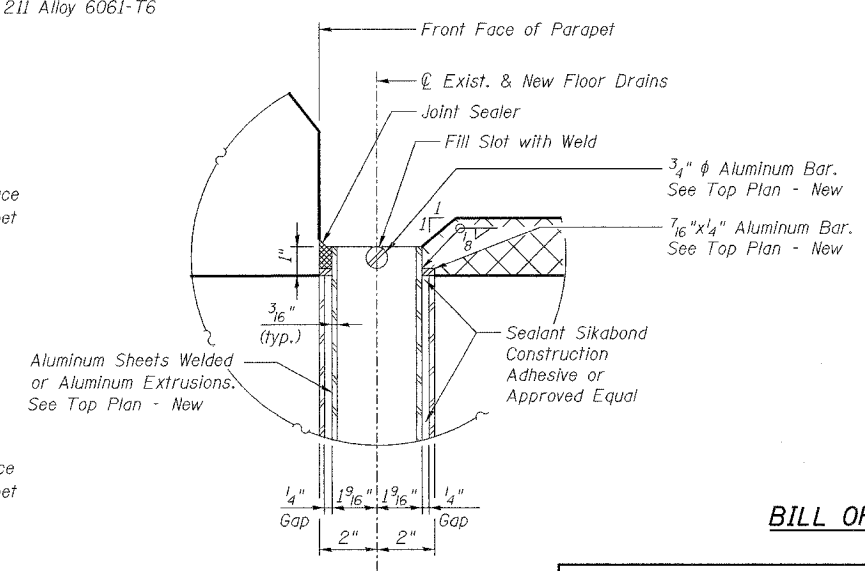
CONTRACT NO. 64857



TOP PLAN - EXISTING



TOP PLAN - NEW



DETAIL C

BILL OF MATERIAL

Item	Unit	Stage 1 S.B.	Stage 2 N.B.	Total Quantity
Floor Drains (Special)	Each	128	128	256
Structural Repair of Concrete (Depth Equal to or Less Than 5")	Sq. Ft.	100	100	200

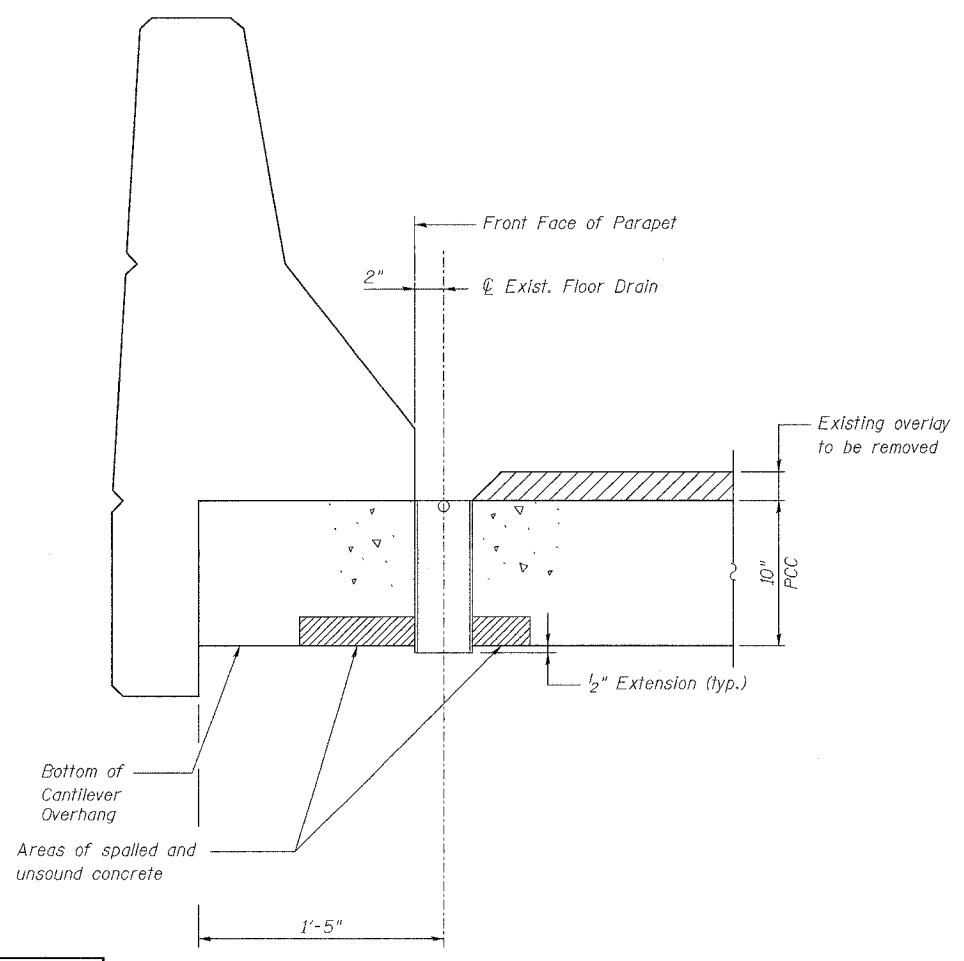
NOTES:

The quantity for Structural Repair of Concrete is an estimated quantity. Limits of concrete repair shall be measured by the Contractor, approved by the Engineer and paid for at the Contract unit price for "Structural Repair of Concrete (Depth Equal to or Less Than 5)".

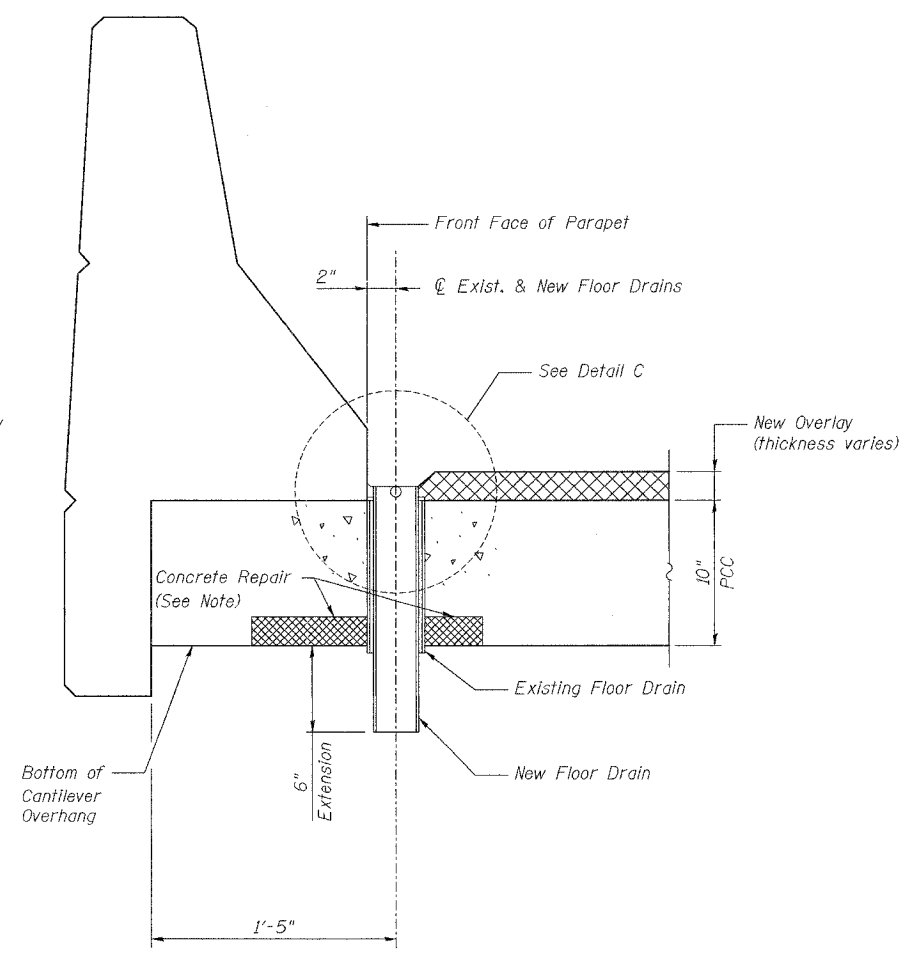
The cost of preparation, materials, clean up, labor and equipment necessary for installation of the described floor drain assembly shall be paid for at the contract unit price for "Floor Drains (Special)".

Dimensions of existing floor drains are from existing plans. The Contractor shall verify the dimensions in the field prior to fabrication of the new floor drain assembly.

Areas of reinforcement to be replaced as described in "Structural Repair of Concrete" shall be determined by the Contractor and approved by the Engineer.



SECTION A-A



SECTION B-B

File name: p:\64857-Kishwaukee-mr-f.cadd\Final\sheet\stdr\dfs.sht

Designed by: WEE
 Checked by: DL
 Drafted by: HH
 Checked by: DL

REVISION	DATE	DESCRIPTION
STATE OF ILLINOIS DEPARTMENT OF TRANSPORTATION		
FLOOR DRAIN DETAILS		
I-39 (FAI 39) OVER KISHWAUKEE RIVER SECTION 201-1BR WINNEBAGO COUNTY STATION 2425+00 STRUCTURE NOS. 101-0133 (S.B.) & 101-0134 (N.B.)		
PARSONS		CHICAGO, ILLINOIS
DRAWING NO. 24	SCALE N.T.S.	DATE FEB 2007
		SHEET NO. S-13