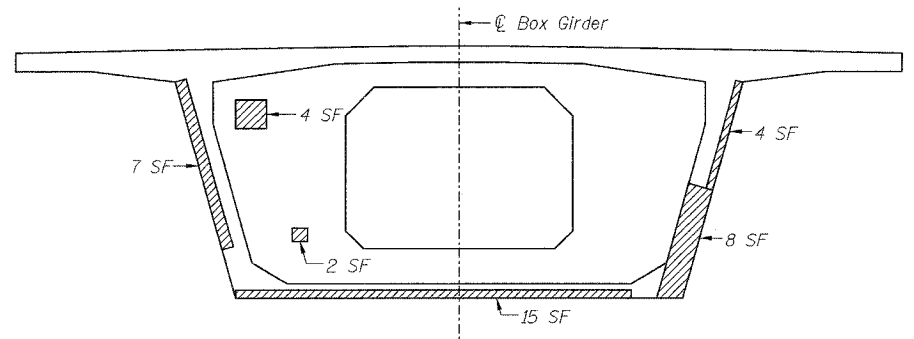


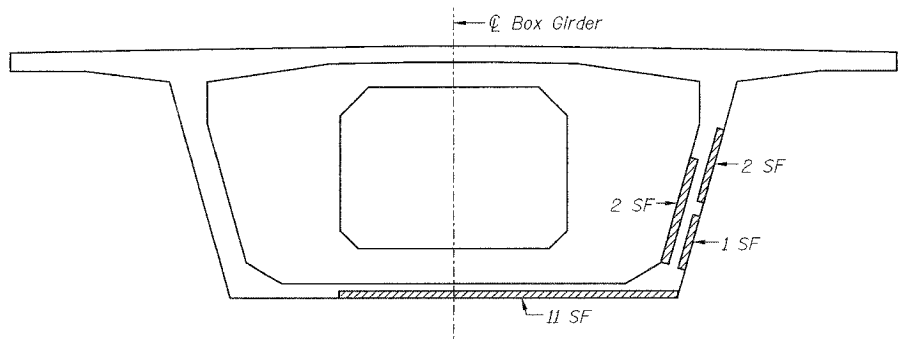
ROUTE NO.	SECT.	COUNTY	SHEET NO.	TOTAL SHEETS
F.A.I. 39	201-IBR	WINNEBAGO	25	40
FED. ROAD DIST. NO. 7	ILLINOIS	FED. AID PROJECT		

CONTRACT NO. 64857

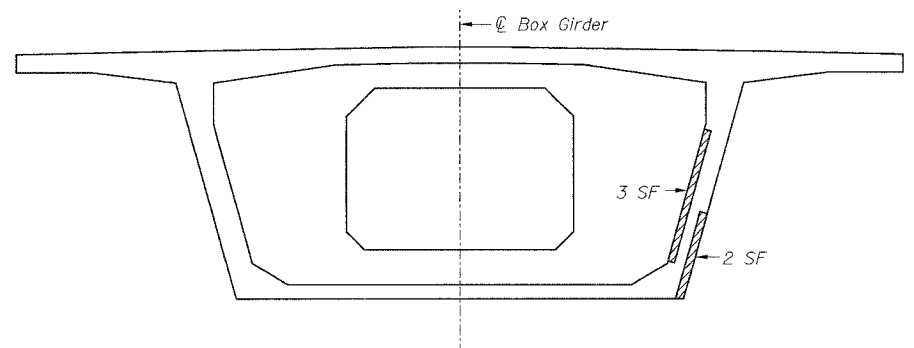
Date: 2/2/2007 Time: 4:23:42 PM



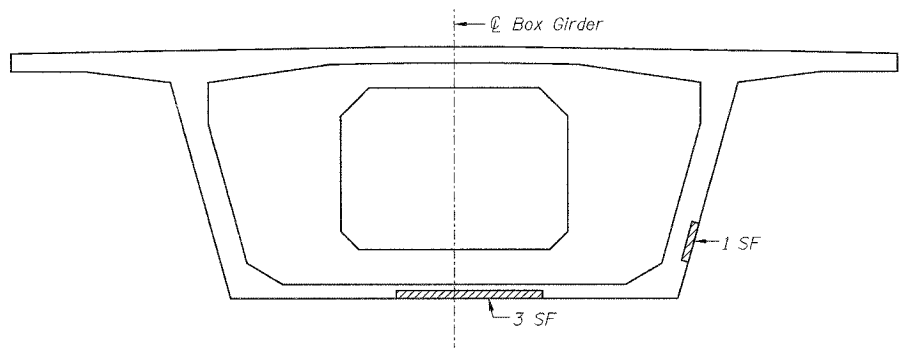
**SOUTHBOUND BRIDGE
NORTH ABUTMENT SEGMENT CROSS SECTION**



**SOUTHBOUND BRIDGE
SOUTH ABUTMENT SEGMENT CROSS SECTION**



**NORTHBOUND BRIDGE
NORTH ABUTMENT SEGMENT CROSS SECTION**



**NORTHBOUND BRIDGE
SOUTH ABUTMENT SEGMENT CROSS SECTION**

LEGEND

- Structural Repair of Concrete (Depth Equal to or Less Than 5")
- Structural Repair of Concrete (Depth Greater Than 5")
- Epoxy Crack Injection

BILL OF MATERIAL

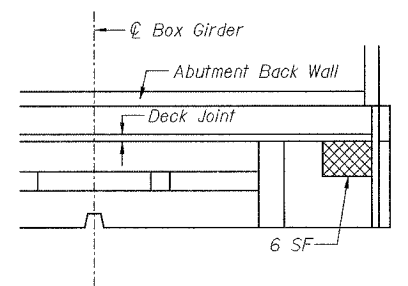
Description	Unit	Stage 1 SB	Stage 2 NB	Total Quantity
Structural Repair of Concrete (Depth Equal to or Less Than 5")	Sq.Ft.	57	14	71
Structural Repair of Concrete (Depth Greater Than 5")	Sq.Ft.	6	0	6
Epoxy Crack Injection	Lin.Ft.	4	0	4

NOTES:

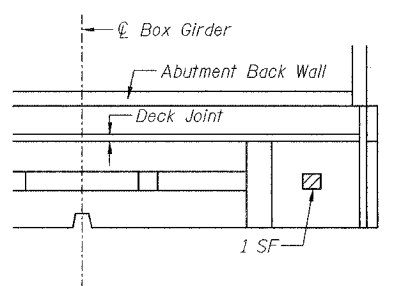
The upper portion of the shear key at the following Bridge Segment locations shall be repaired with Epoxy Crack Injection, estimated 2' length of repair at each location:

- Southbound Bridge, Pier 3 South Cantilever, between SB3-S1 & SB3-S2, East Web
- Southbound Bridge, Pier 2 South Cantilever, between SB2-S5 & SB2-S6, East Web

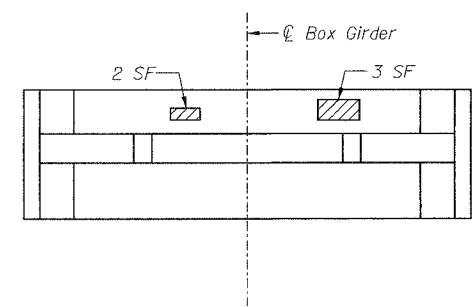
Areas of reinforcement to be replaced as described in "Structural Repair of Concrete" shall be determined by the Contractor and approved by the Engineer.



**SOUTHBOUND BRIDGE SOUTH ABUTMENT SEGMENT
UNDERSIDE OF TOP SLAB**



**SOUTHBOUND BRIDGE NORTH ABUTMENT SEGMENT
UNDERSIDE OF TOP SLAB**



**NORTHBOUND BRIDGE SOUTH ABUTMENT SEGMENT
TOP VIEW OF BOTTOM SLAB**

File name: p:\646265-Kishwaukee-mr-f.cadd\final\sheet\stbrp01.sht

Designed by: HT
 Checked by: DAZ
 Drafted by: SAW
 Checked by: HT

REVISION	DATE	DESCRIPTION

**STATE OF ILLINOIS
DEPARTMENT OF TRANSPORTATION**

SEGMENT REPAIRS

I-39 (FAI 39) OVER KISHWAUKEE RIVER
SECTION 201-IBR
WINNEBAGO COUNTY
STATION 2425+00
STRUCTURE NOS. 101-0133 (S.B.) & 101-0134 (N.B.)

PARSONS CHICAGO, ILLINOIS

DRAWING NO. 25	SCALE N.T.S.	DATE FEB 2007	SHEET NO. S-14
-------------------	-----------------	------------------	-------------------