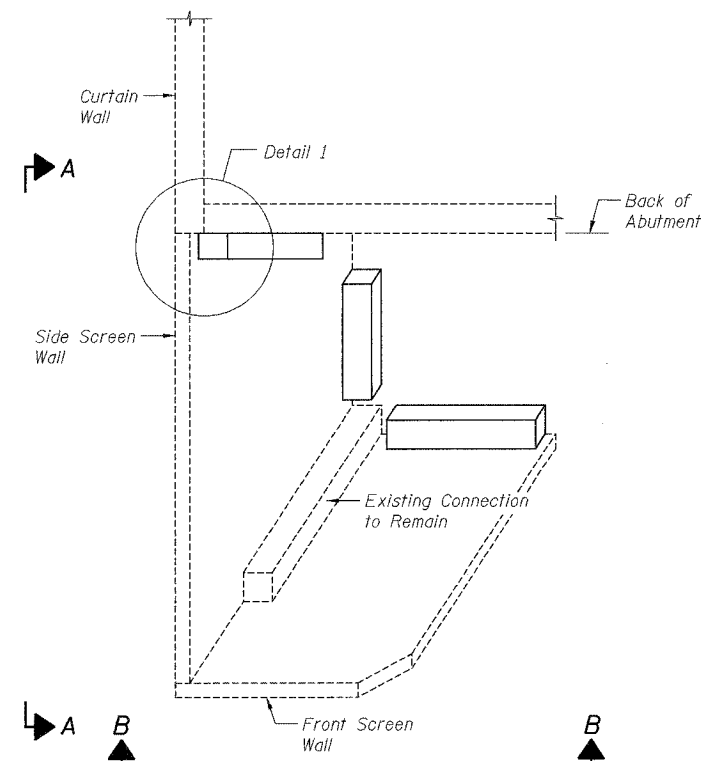
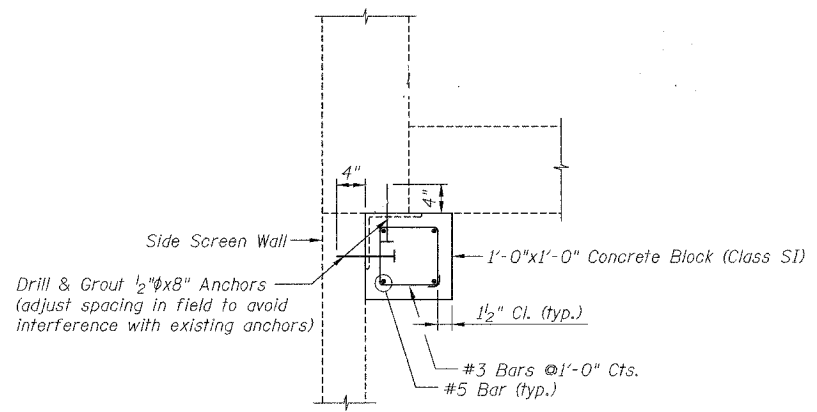


ROUTE NO.	SECT.	COUNTY	SHEET NO.	TOTAL SHEETS
F.A.I. 39	201-1BR	WINNEBAGO	27	40
FED. ROAD DIST. NO. 7	ILLINOIS	FED. AID PROJECT		

CONTRACT NO. 64857



PARTIAL PLAN
SCREEN WALL CONNECTION REPAIR DETAIL



DETAIL 1
(Similar at bottom of Side and Front Screen Walls)

NOTES:

Screen Wall Connection Repair shall be performed at all connections between the screen walls and the abutments and curtain walls. The existing connections between the screen walls shall remain in place.

At the Southbound Bridge, North Abutment, the top of the east and west screen walls are rotated approximately 6" and 3", respectively, away from the abutment segment. Contractor shall reposition the screen walls at these locations to their original positions. All costs associated with this work shall be included with "Screen Wall Connection Repair."

At the Southbound Bridge, North Abutment, the screen walls at the west end shall be shored during the repair of the concrete spall in the abutment stem. The cost of shoring these screen walls until the completion of this abutment stem repair shall be included with "Screen Wall Connection Repair."

Remove and replace in kind all sealants around the screen walls, cost to be included with "Screen Wall Connection Repair."

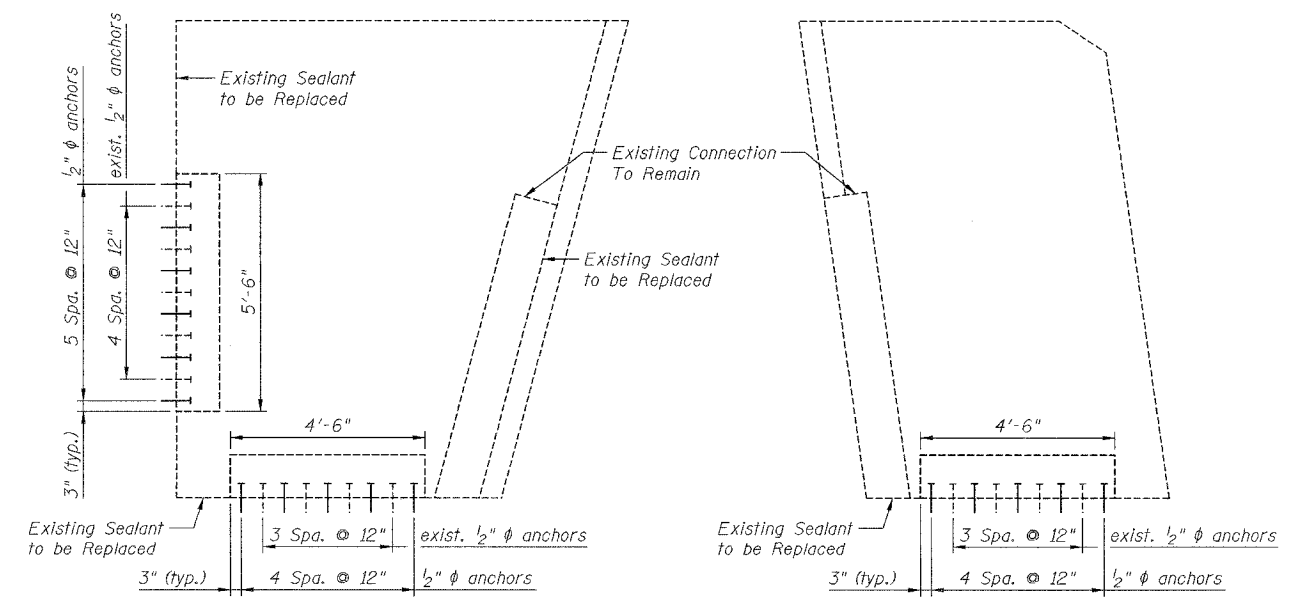
Cut and grind wire lifting loops in screen walls to be flush with the face of the concrete, cost to be included with "Screen Wall Connection Repair."

The cost of drilling and grouting anchors, Class SI concrete and reinforcement bars shall be included with "Screen Wall Connection Repair."

Reinforcing bars shall be epoxy coated.

BILL OF MATERIAL

Description	Unit	Stage 1 SB	Stage 2 NB	Total Quantity
Screen Wall Connection Repairs	L. Sum	0.5	0.5	1



VIEW A-A

VIEW B-B

Date: 2/2/2007 Time: 4:47:40 PM

Filename: I:\646265-Kishwaukee-mr-f-cadd\final\sheet\stswrp03s.sht

Designed by: HT
 Checked by: DAZ
 Drafted by: SAW
 Checked by: HT

REVISION	DATE	DESCRIPTION
STATE OF ILLINOIS DEPARTMENT OF TRANSPORTATION SCREEN WALL CONNECTION REPAIRS I-39 (FAI 39) OVER KISHWAUKEE RIVER SECTION 201-1BR WINNEBAGO COUNTY STATION 2425+00 STRUCTURE NOS. 101-0133 (S.B.) & 101-0134 (N.B.)		
		CHICAGO, ILLINOIS
DRAWING NO. 27	SCALE N.T.S.	DATE FEB 2007
		SHEET NO. S-16