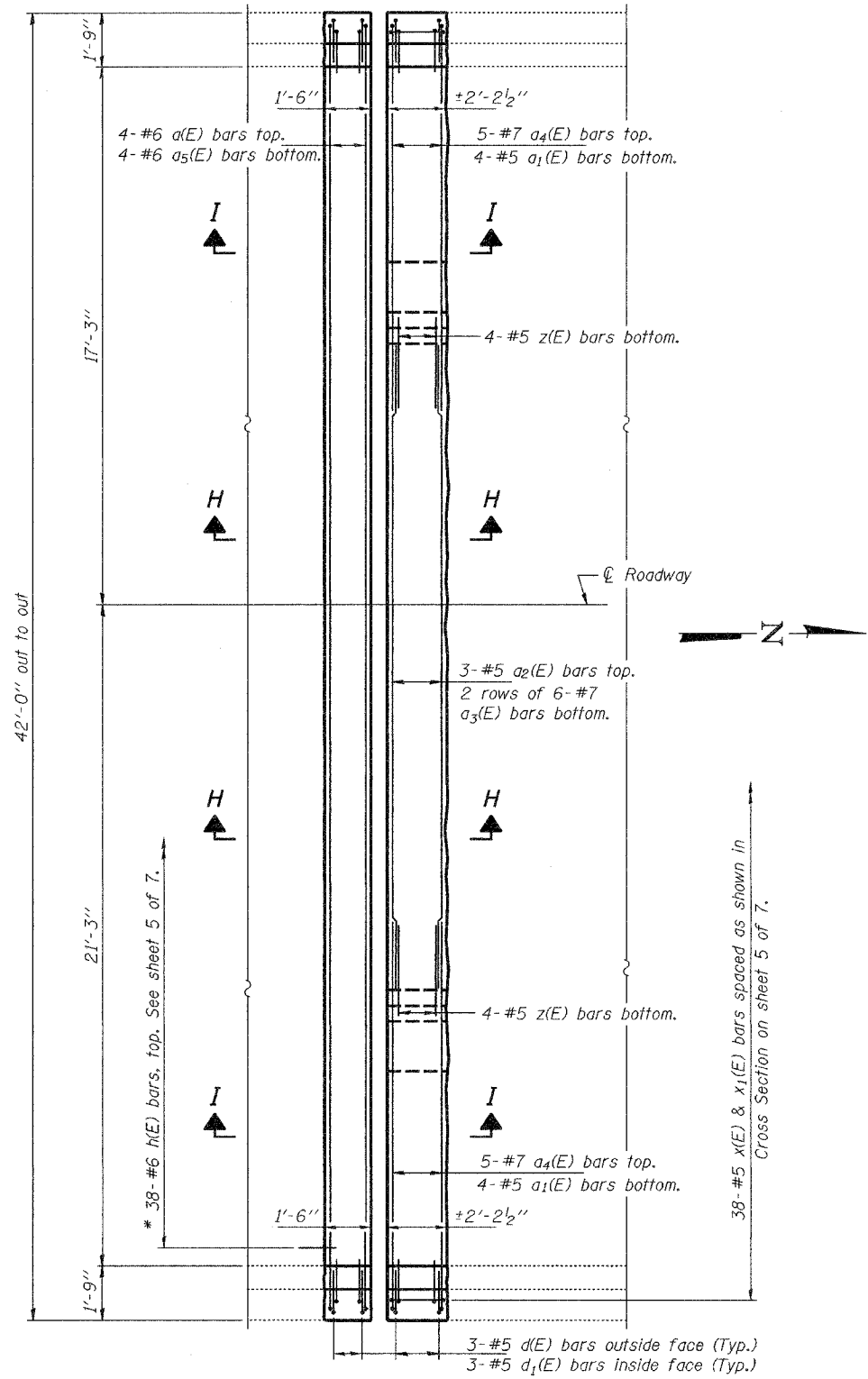


STATE OF ILLINOIS
DEPARTMENT OF TRANSPORTATION

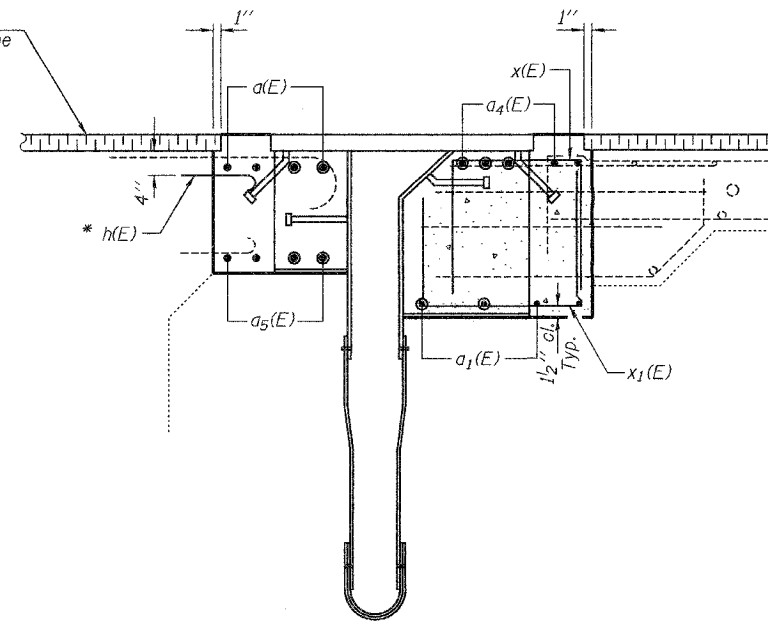
ROUTE NO.	SECTION	COUNTY	TOTAL SHEETS	SHEET NO.	SHEET NO. 6
I-39		WINNEBAGO	40	33	7 SHEETS
FED. ROAD DIST. NO. 7	ILLINOIS	FED. AID PROJECT-			

Contract #64857



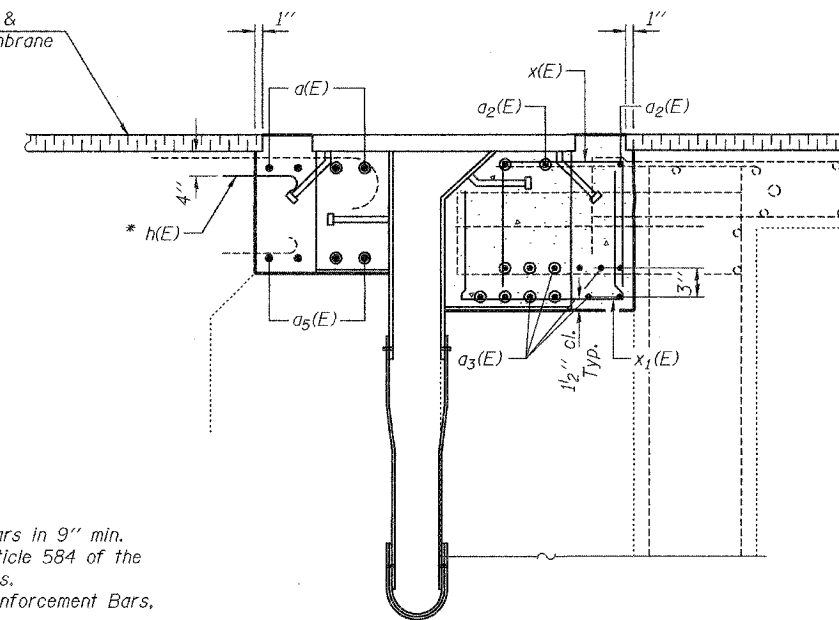
PLAN AT SOUTH ABUTMENT

New HMA surface & waterproofing membrane system. Typ.



SECTION I-I

New HMA surface & waterproofing membrane system. Typ.



SECTION H-H

* Epoxy grout h(E) bars in 9" min. holes according to Article 584 of the Standard Specifications. Cost Included with Reinforcement Bars. Epoxy Coated

DESIGNED	ATH
CHECKED	AJB
DRAWN	baliva
CHECKED	ATH AJB

MARCH 16, 2007

EXAMINED *Carl Henry*
REPAIR PLANS UNIT CHIEF

PASSED *Ralph E. Anderson*
ENGINEER OF BRIDGES AND STRUCTURES

BRIDGE REPAIRS
I-39 OVER KISHWAUKEE RIVER
WINNEBAGO COUNTY
STA. 2425+00
SN 101-0134(NB)