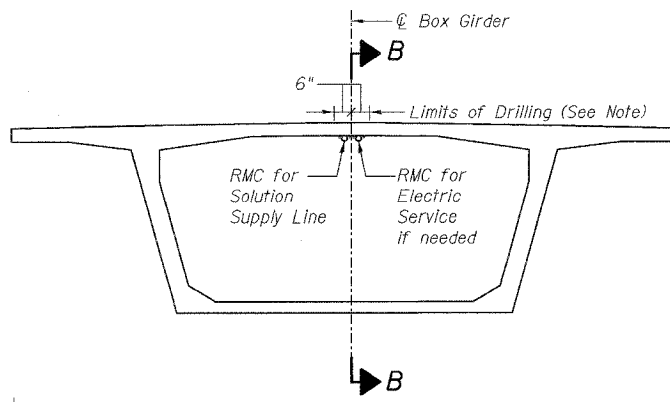
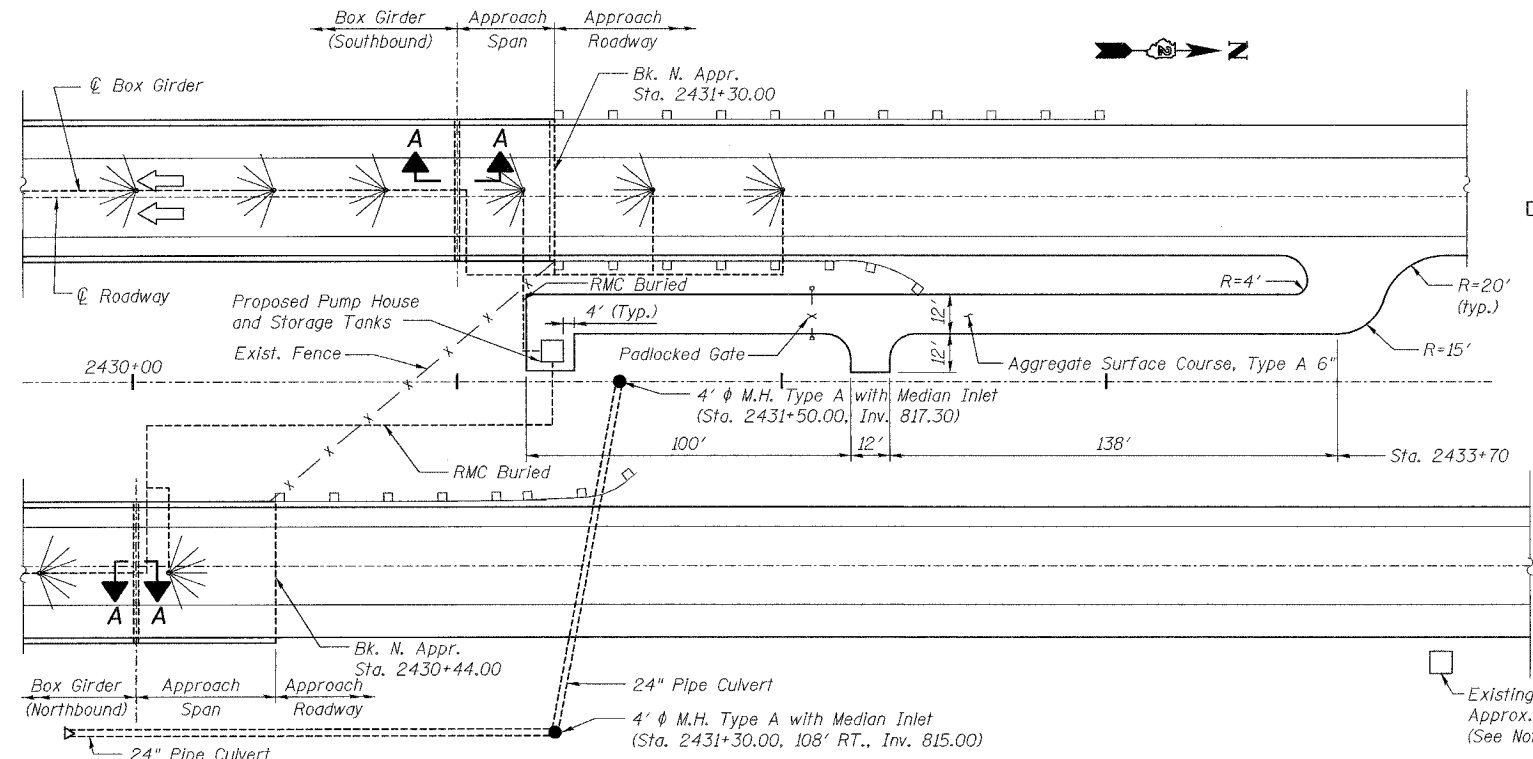


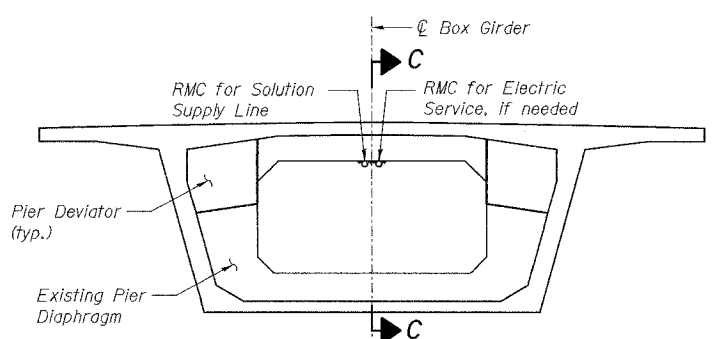
ROUTE NO.	SECT.	COUNTY	SHEET NO.	TOTAL SHEETS
F.A.I. 39	201-1BR	WINNEBAGO	37	40
FED. ROAD DIST. NO. 7	ILLINOIS	FED. AID PROJECT		

CONTRACT NO. 64857

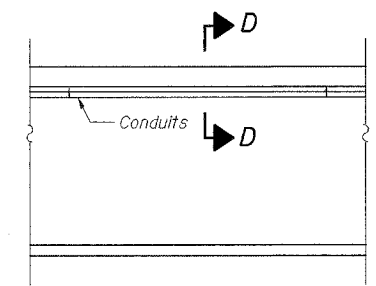
Date: 2/2/2007 Time: 3:46:57 PM



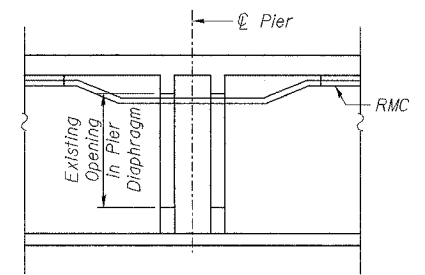
**BOX GIRDER BETWEEN PIERS**



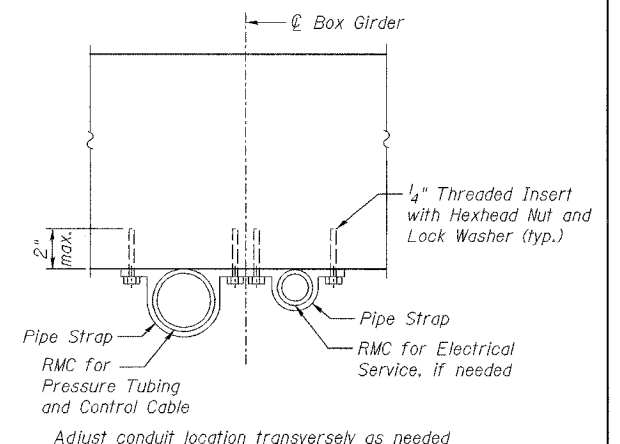
**BOX GIRDER AT PIERS**



**SECTION D-D**



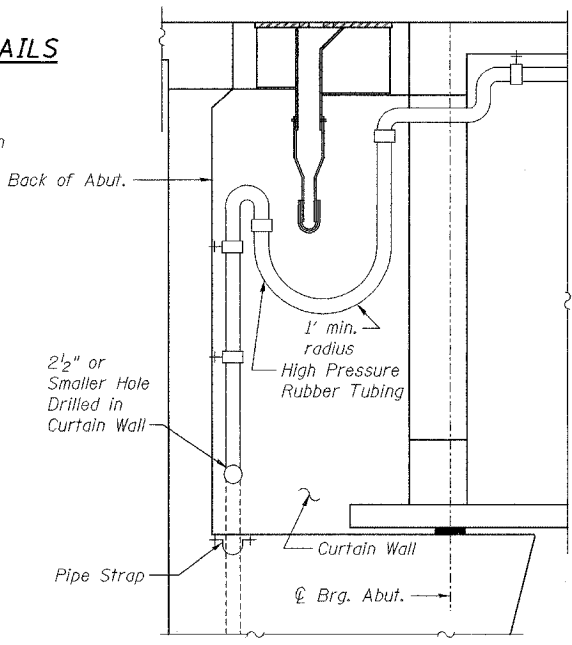
**SECTION C-C**



**SECTION D-D**

**CHEMICAL STORAGE TANK DETAILS  
SPRAY DISK SYSTEM**

NOTE: Spray Disk Design Shown.  
Similar Features for Micro Spray Design

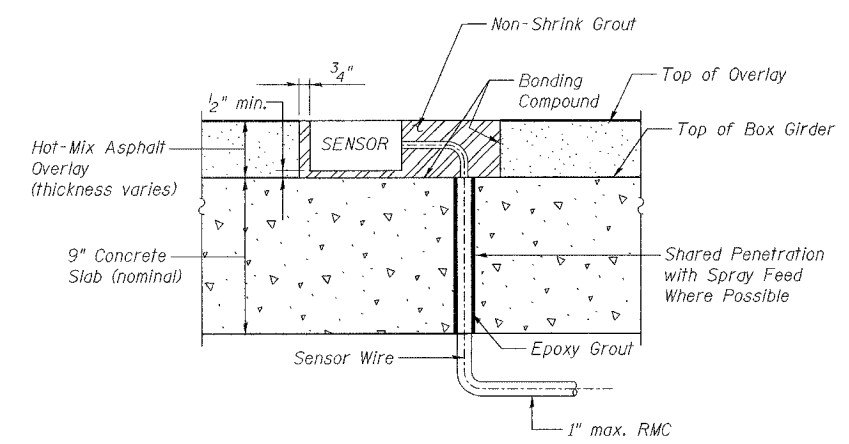


**SECTION A-A**

(North Abutments shown, South Abutments similar)  
(Required due to Bridge Length Expansion)

**LEGEND:**

- Spray Disk
- Supply Line
- Steel Plate Beam Guardrail
- RMC Galvanized Rigid Steel Conduit



**TYPICAL SENSOR SECTION**

**NOTES:**

- Contractor to verify location of proposed pump house with Engineer.
- Location of Existing RWIS Tower, Conduit and Pavement Sensors to be Field Verified by Contractor.
- Mounting bolts for pipe straps shall be located offset from post-tensioning cables. Bolt and drilled hole shall penetrate bridge deck no more than 2 inches.
- No drilling outside the limits shown shall be performed for the installation of spray disks or sensors. All drilling locations shall be marked by the Contractor for approval by the Engineer.
- No drilling is permitted without approval by the Engineer.
- Sealant and Bonding Compound per Equipment Supplier subject to approval by the Engineer.

**BILL OF MATERIAL**

Item	Unit	Stage 1 S.B.	Stage 2 N.B.	Total Quantity
Furnishing and Installing Anti-Icing System	L. Sum	0.5	0.5	1.0
Aggregate Surface Course, Type A 6"	Sq. Yd.	422	0	422
Anti-Icing System Maintenance and Warranty - 5 Year	L. Sum	0.5	0.5	1.0

Designed by: GCY  
Checked by: JLP  
Drafted by: RKS  
Checked by: JLP

File name: p:\e46265-kishwaukee-mrf\cadd\sheet\sheet\01s.sht

STATE OF ILLINOIS DEPARTMENT OF TRANSPORTATION			
FAST DETAILS			
I-39 (FAI 39) OVER KISHWAUKEE RIVER SECTION 201-1BR WINNEBAGO COUNTY STATION 2425+00 STRUCTURE NOS. 101-0133 (S.B.) & 101-0134 (N.B.)			
DRAWING NO. 37		SCALE N.T.S.	
DATE FEB 2007		SHEET NO. F-3	