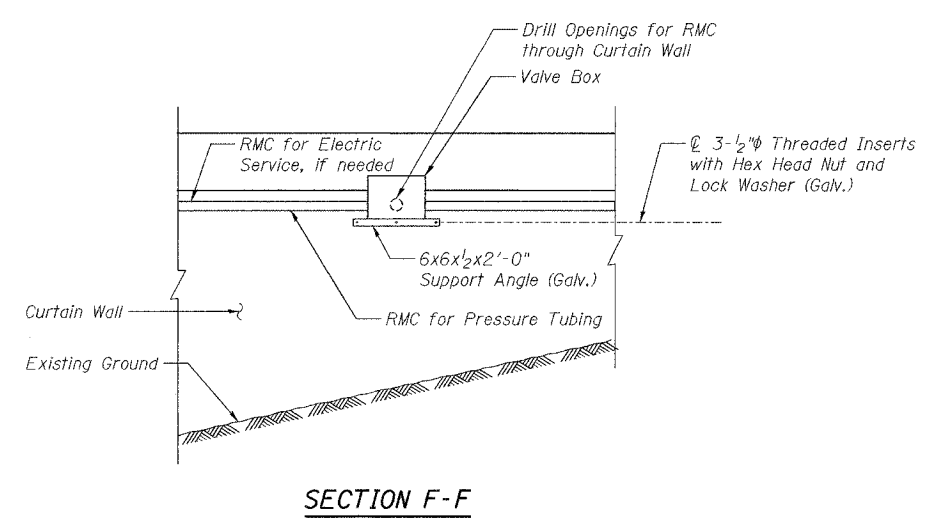
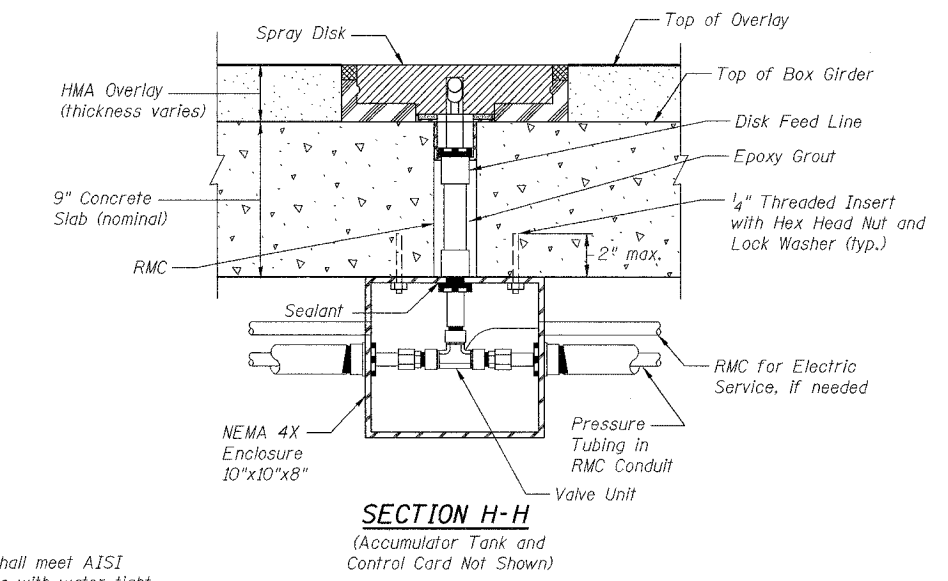
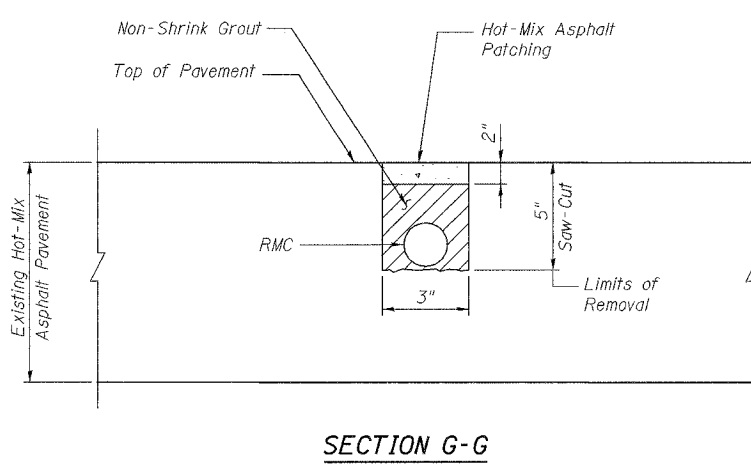
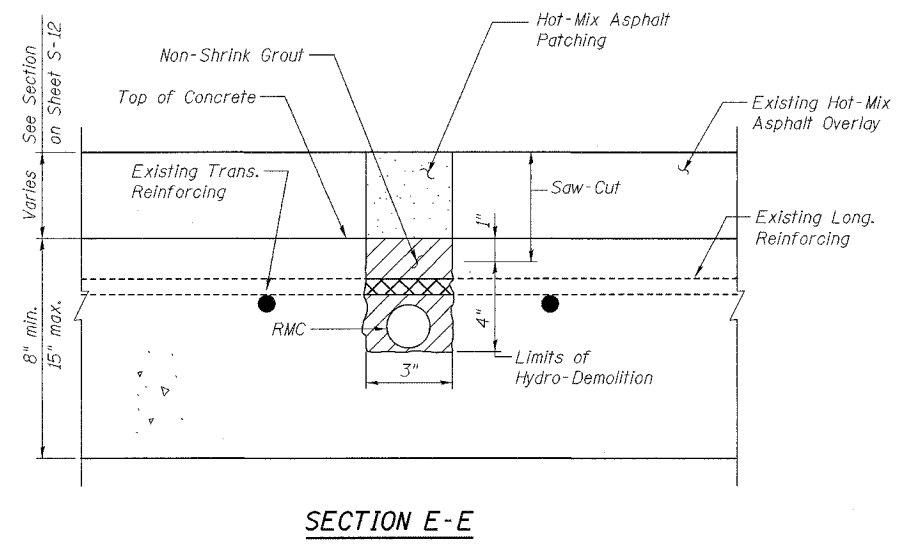
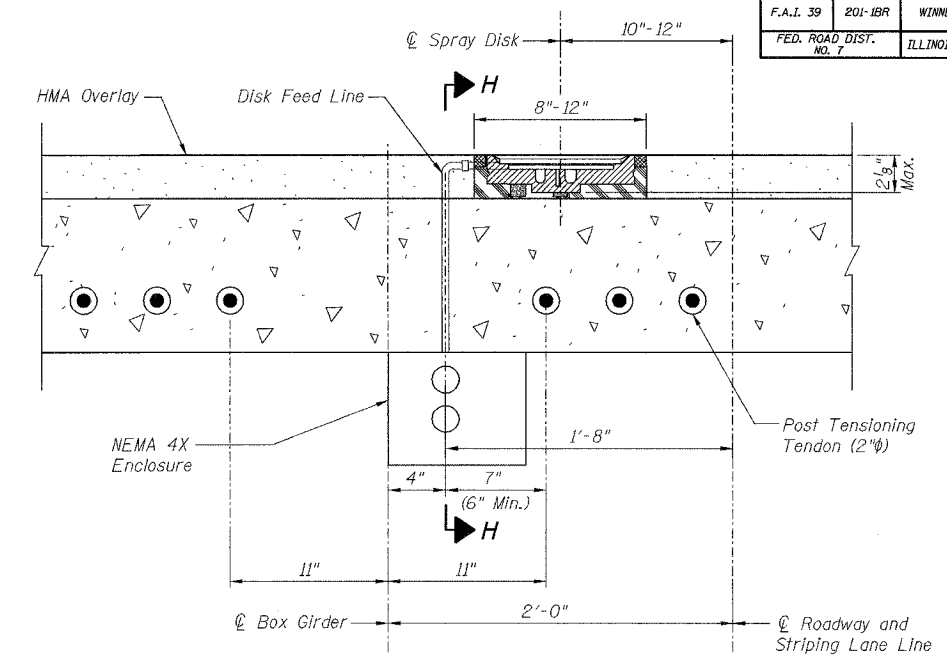
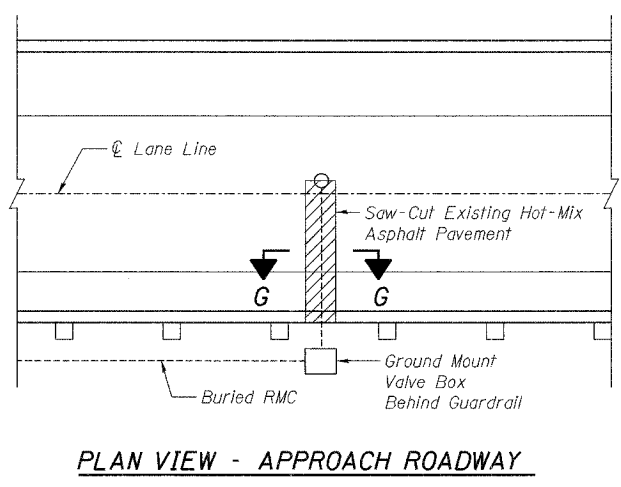
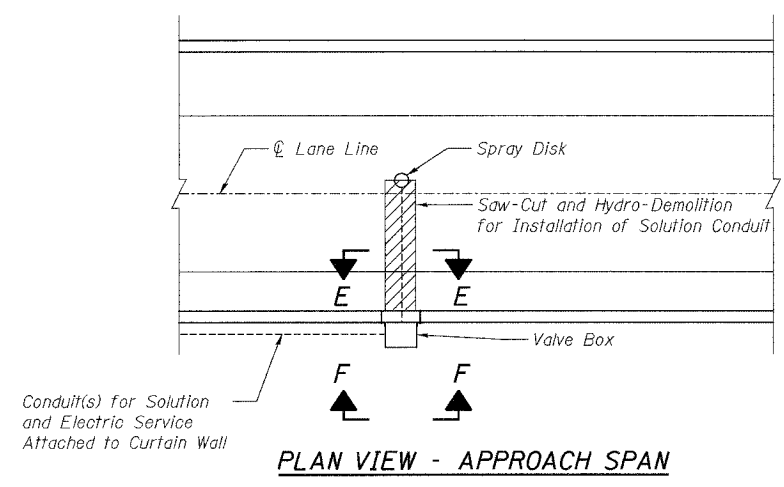


ROUTE NO.	SECT.	COUNTY	SHEET NO.	TOTAL SHEETS
F.A.I. 39	201-1BR	WINNEBAGO	38	40
FED. ROAD DIST. NO. 7	ILLINOIS	FED. AID PROJECT		

CONTRACT NO. 64857



NOTES:

Valve boxes shall meet NEMA 4X specifications. All boxes shall meet AISI 316 (ASTM A 240) stainless steel (14 gage min.) requirements with water tight gaskets in the box door.

Spray disks shall be able to be adjusted in the field to optimize spray pattern.

Spray disks and sensors shall be able to support HS 20-44 loadings.

Galvanized rigid steel conduit (RMC) shall be used to carry the chemical solution and electric supply lines.

Electric wire size and grounding requirements shall be in accordance with the National Electric Code 2005.

Maximum spacing for conduit supports is 20'.

Provide threaded couplers for all conduits that require splicing. Couplings shall be located approximately 0.25*L away from a support point, where L is the span length of the conduit between support points.

The cost of saw-cutting, hydro-demolition, hot-mix asphalt removal, hot-mix asphalt patching, and epoxy and non-shrink grout is included with "Furnishing and Installing Anti-Icing System."

REVISION	DATE	DESCRIPTION
STATE OF ILLINOIS DEPARTMENT OF TRANSPORTATION FAST DETAILS DISK SPRAY DESIGN I-39 (FAI 39) OVER KISHWAUKEE RIVER SECTION 201-1BR WINNEBAGO COUNTY STATION 2425+00 STRUCTURE NOS. 101-0133 (S.B.) & 101-0134 (N.B.)		
PARSONS		CHICAGO, ILLINOIS
DRAWING NO. 38	SCALE N.T.S.	DATE FEB 2007
		SHEET NO. F-4

Date: 2/2/2007 Time: 4:08:11 PM
 File name: p:\64857-Kishwaukee-mir\Final\sheet\Fagec01s.sht

Designed by: GCV
 Checked by: JLP
 Drafted by: RKS
 Checked by: JLP